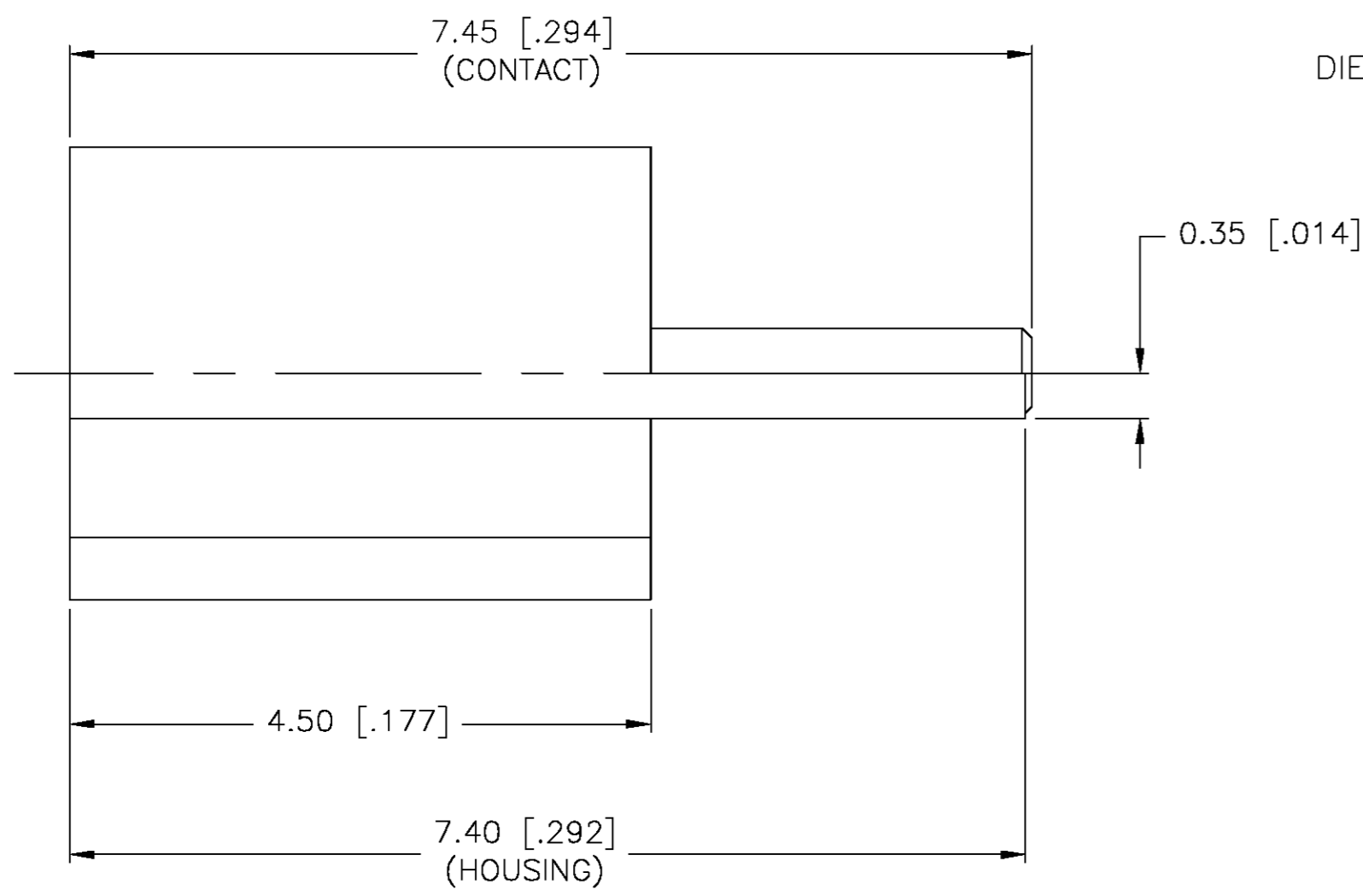


THIS DRAWING IS UNPUBLISHED. RELEASED FOR PUBLICATION  
 © COPYRIGHT BY TYCO ELECTRONICS CORPORATION. ALL RIGHTS RESERVED.

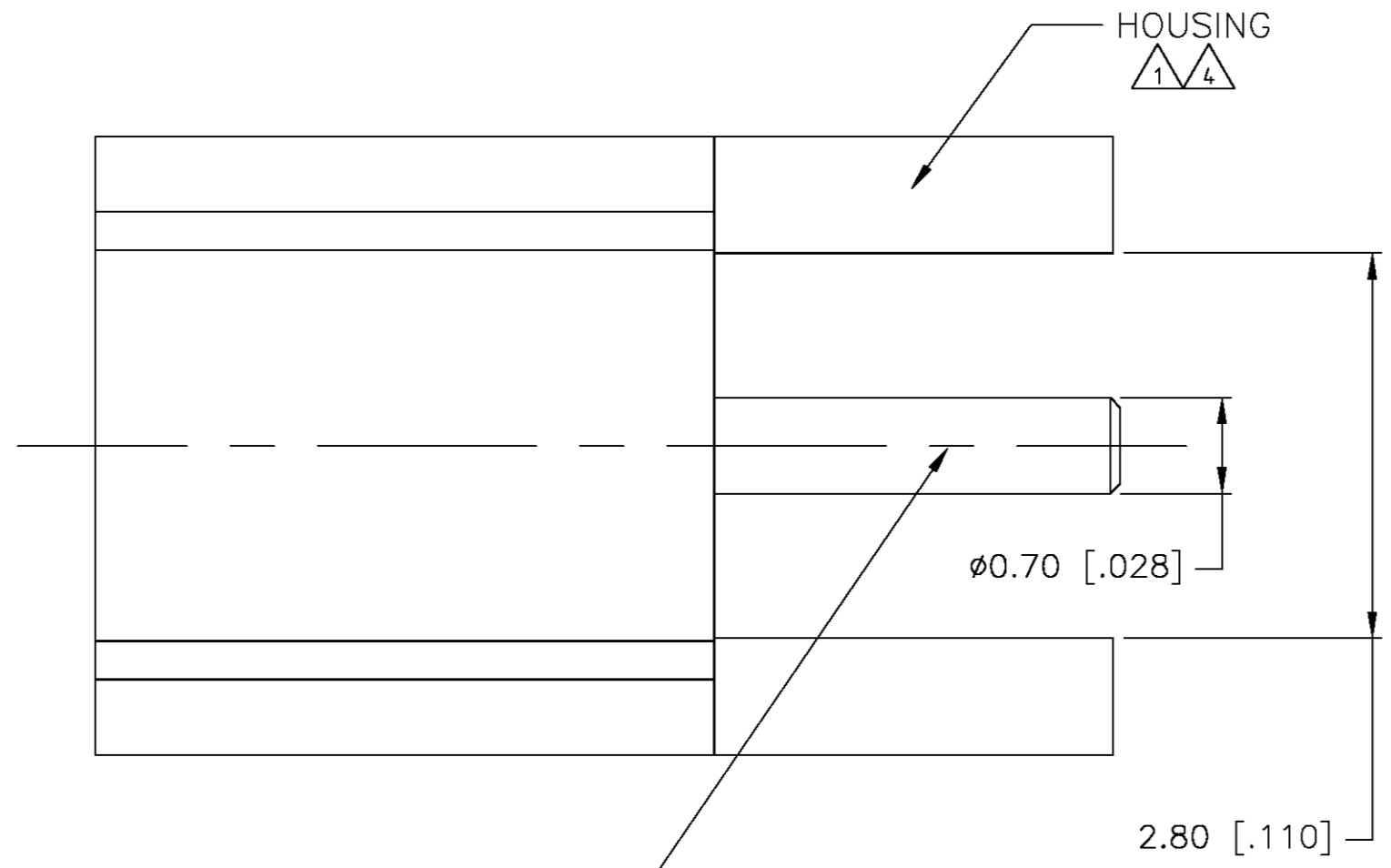
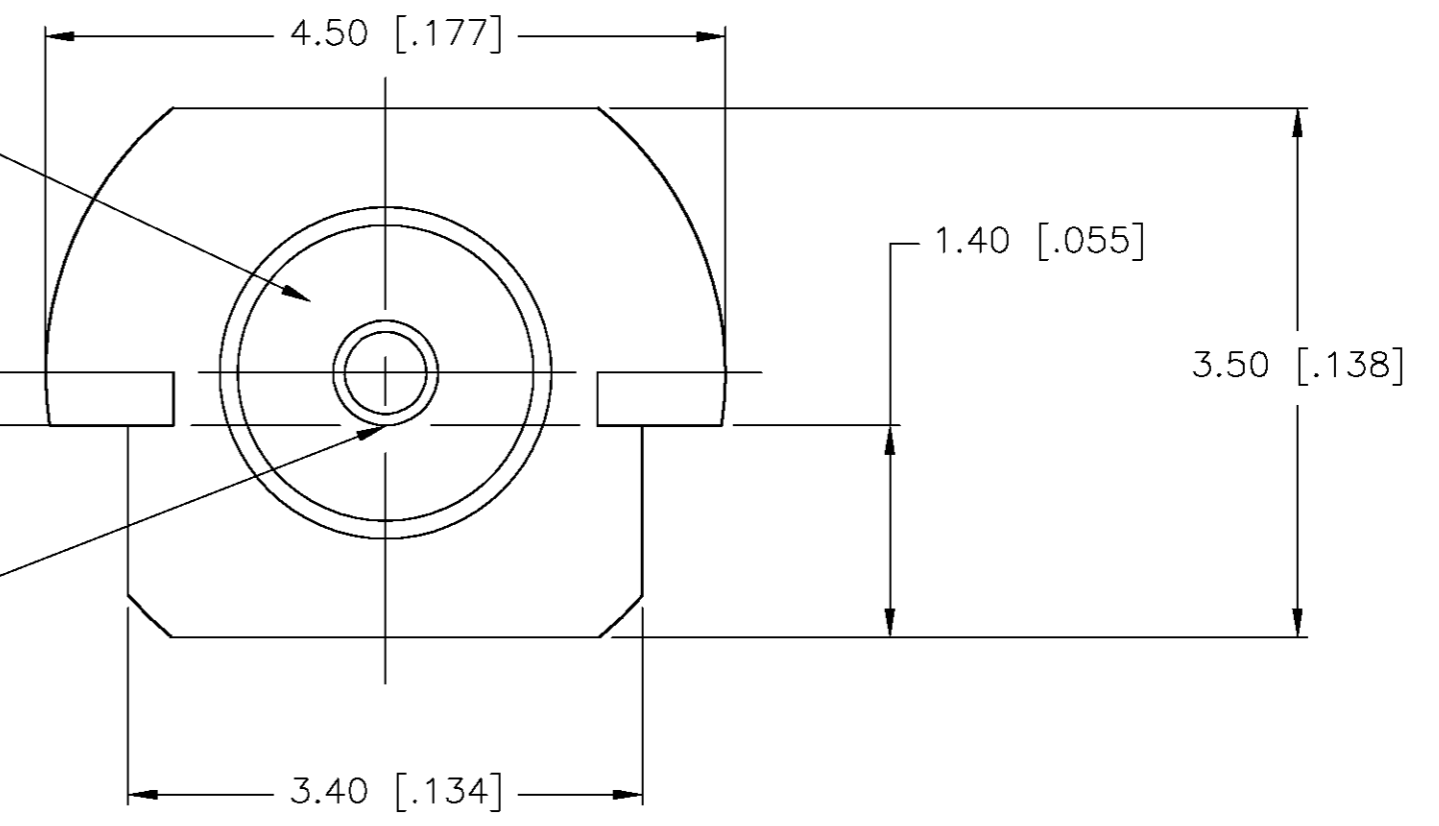
REVISIONS				DATE	DWN	APVD
P	LTR	DESCRIPTION				
E		REV PER 0514-0397-03	11SEP03	KW	KW	



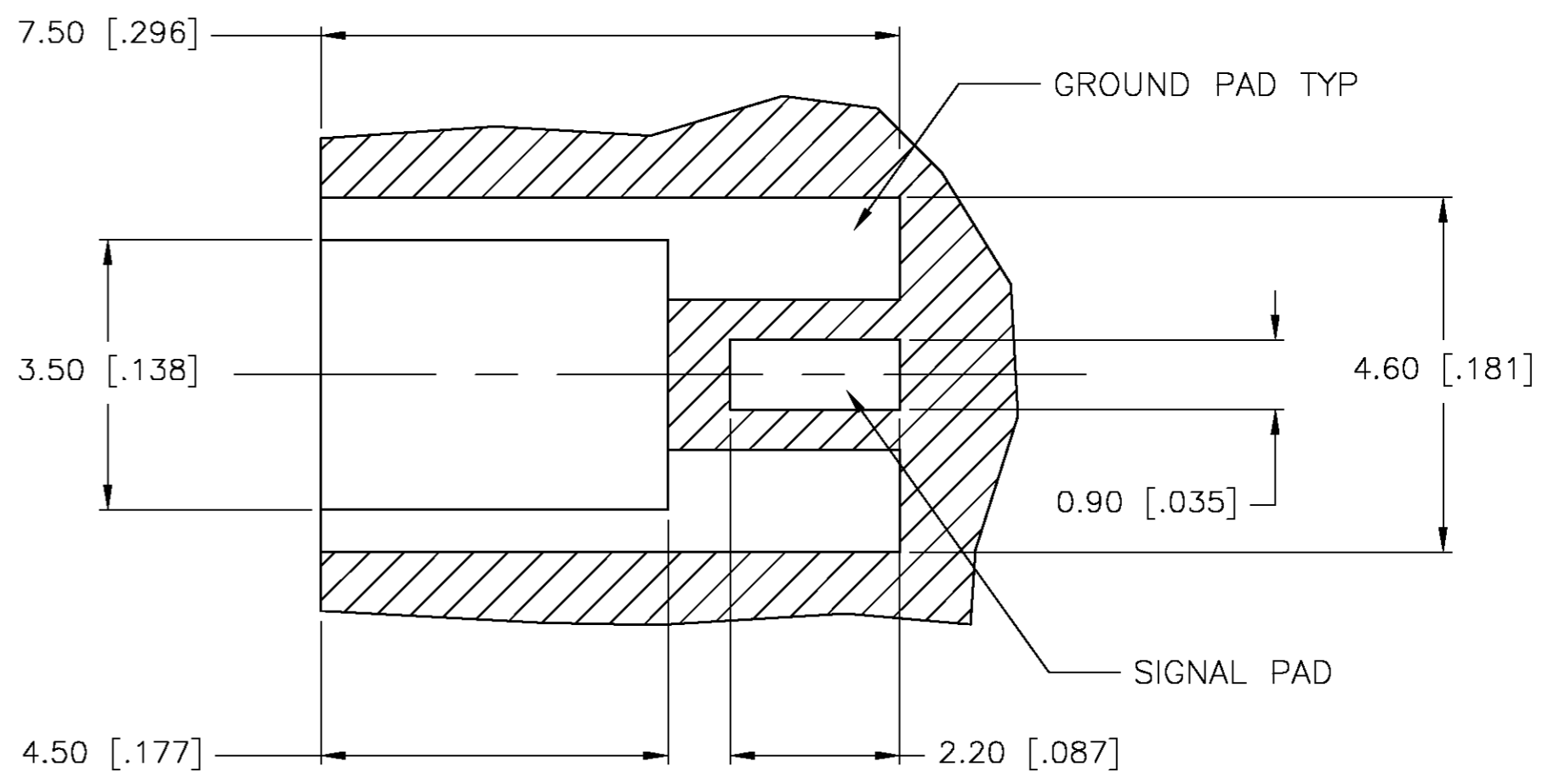
DIELECTRIC  
 2

-A-  
 2 SURFACES

0.10 A  
 TANGENT POINT OF CONTACT



CONTACT  
 3 4



SOLDER PAD CONFIGURATION ONLY  
 (SCALE 12:1)

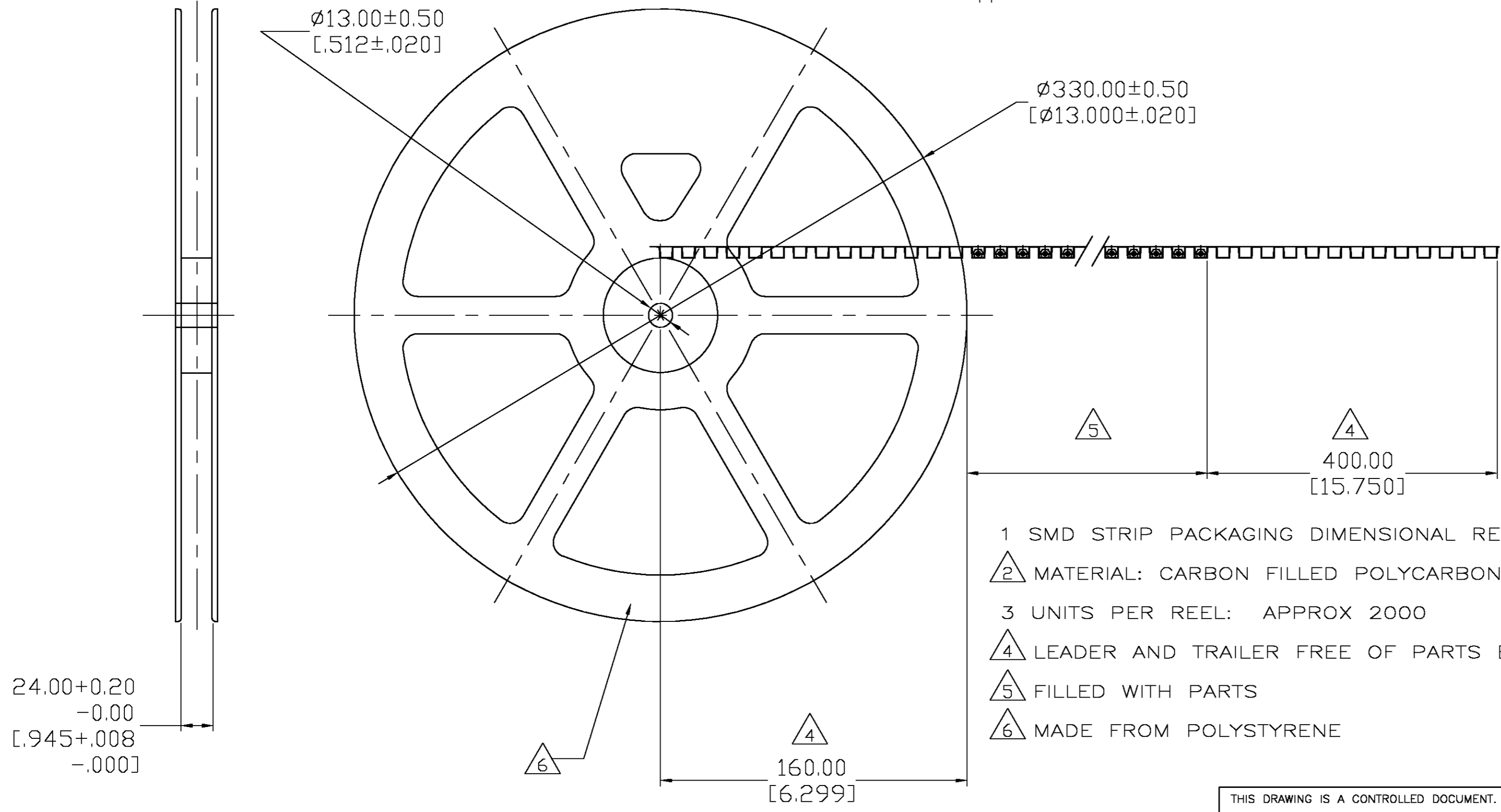
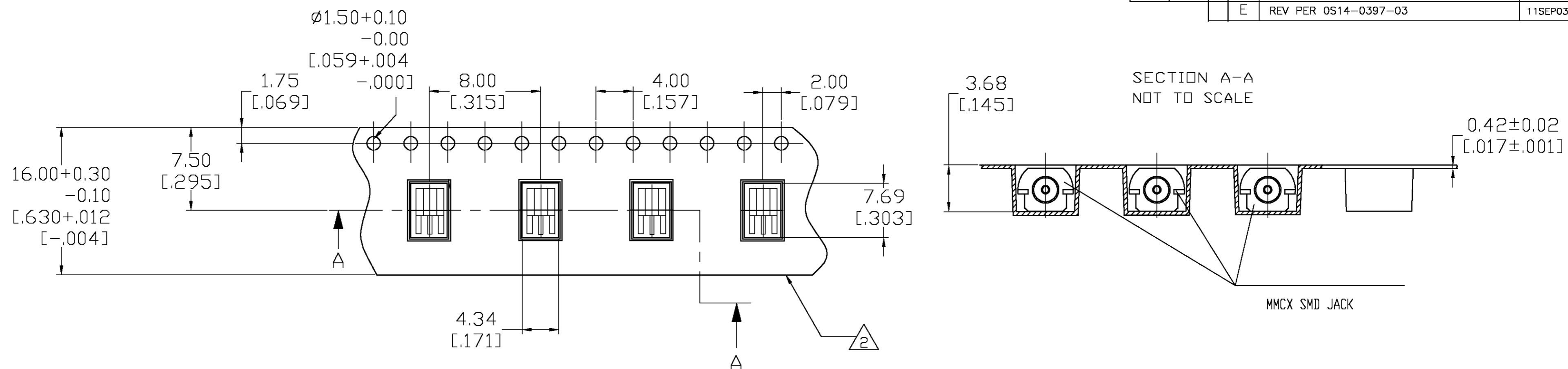
- 1 BRASS PER ASTM-B-16
- 2 PTFE PER ASTM-D-1710
- 3 BERYLLIUM COPPER PER ASTM-B-196
- 4 GOLD PLATE PER MIL-G-45204

ON REEL (SEE SHEET 2)	1408152-2
STANDARD	1408152-1
PACKAGING	PART NUMBER

THIS DRAWING IS A CONTROLLED DOCUMENT.		DWN	29NOV2001	 Tyco Electronics Corporation Middletown, PA 17057	
DIMENSIONS: MM		CHK	28NOV01		
TOLERANCES UNLESS OTHERWISE SPECIFIED:		APVD	28NOV01		
0 PLC ± - 1 PLC ± - 2 PLC ± 0.15 [.006] 3 PLC ± - 4 PLC ± - ANGLES ± 1° FINISH -		NAME	108-2084		
MATERIAL		PRODUCT SPEC	108-2084	SIZE	A2
		APPLICATION SPEC		CAGE CODE	00779
		WEIGHT	0.20g/.007oz	DRAWING NO	C=1408152
		CUSTOMER DRAWING		RESTRICTED TO	-
		SCALE	20:1	SHEET	1 OF 2
		REV	E		

THIS DRAWING IS UNPUBLISHED. RELEASED FOR PUBLICATION  
 © COPYRIGHT BY TYCO ELECTRONICS CORPORATION. ALL RIGHTS RESERVED.

LOC		DIST		REVISIONS			
P	LTR	DESCRIPTION	DATE	DWN	APVD		
AJ	-	E	REV PER 0514-0397-03	11SEP03	KW	KW	



- 1 SMD STRIP PACKAGING DIMENSIONAL REQUIREMENTS PER EIA 481-1, -2 AND -3
- 2 MATERIAL: CARBON FILLED POLYCARBONATE, ELECTROSTATIC PROTECTIVE
- 3 UNITS PER REEL: APPROX 2000
- 4 LEADER AND TRAILER FREE OF PARTS BUT SEALED WITH COVER TAPE
- 5 FILLED WITH PARTS
- 6 MADE FROM POLYSTYRENE

THIS DRAWING IS A CONTROLLED DOCUMENT.		DWN	24JUL02	 Tyco Electronics Corporation Middletown, PA 17057	NAME		RESTRICTED TO	
DIMENSIONS: MM		CHK	24JUL02		MMCX JACK, SMT EDGE LAUNCH			
TOLERANCES UNLESS OTHERWISE SPECIFIED:		APVD	24JUL02		SIZE	CAGE CODE		DRAWING NO
0 PLC ± - 1 PLC ± - 2 PLC ± 0.10 [.004] 3 PLC ± - 4 PLC ± - ANGLES ± 5° FINISH -		PRODUCT SPEC	PRODUCT SPEC		A2	00779		C=1408152
MATERIAL		APPLICATION SPEC	APPLICATION SPEC	WEIGHT	SCALE	SHEET	OF	
-		WEIGHT	-	CUSTOMER DRAWING	NTS	2	2	
		REV	E					

1408152

## X-ON Electronics

Largest Supplier of Electrical and Electronic Components

*Click to view similar products for [TE Connectivity](#) manufacturer:*

Other Similar products are found below :

[D38999/24FJ4AN](#) [570416-000](#) [CLTEQ-M81CE-SSRELAY-4-20V](#) [4-1195131-0](#) [650069-000](#) [SMD100-2](#) [358838-000](#) [CB-1022B-78](#)  
[RM707012](#) [RP410012](#) [MMS42](#) [1-640426-8](#) [2EDL4CM](#) [DTS20W19-11PD-3028-LC](#) [RM202615](#) [NC6-P104-06](#) [MSPS103B](#) [DTS26F21-](#)  
[41HE-LC](#) [DTS26F21-41AE](#) [DTS26F21-41PE-LC](#) [DTS26F21-11SE-3028-LC](#) [30DCB6](#) [1932144-1](#) [293545-4](#) [LVR125S](#) [MS27466T25F4PB](#)  
[CKB-38-78010](#) [TR04AI-TINELLOCKRING](#) [1206SFF150F/63-2](#) [D38999/20JB35HA](#) [TE1500A2R2J](#) [D38999/20WC8BB](#) [DTS24F19-11SC-](#)  
[3028-LC](#) [D38999/24WG11HA](#) [D38999/24WG11HN](#) [MS27467T21F11H](#) [DJT16E21-11HA](#) [MS27467T21F35J](#) [MS27467T21F11J](#)  
[MS27467T21F16H-LC](#) [MS27467T21F35H](#) [MS27467T21F41H-LC](#) [1206SFH150F/24-2](#) [RP330024](#) [DJT16E21-11PA-LC](#) [DJT16E21-11HA-](#)  
[LC](#) [DJT16E21-11AA](#) [MS27467T21B11JA](#) [DJT16E21-11JA](#) [MS27467T21B11JA-LC](#)