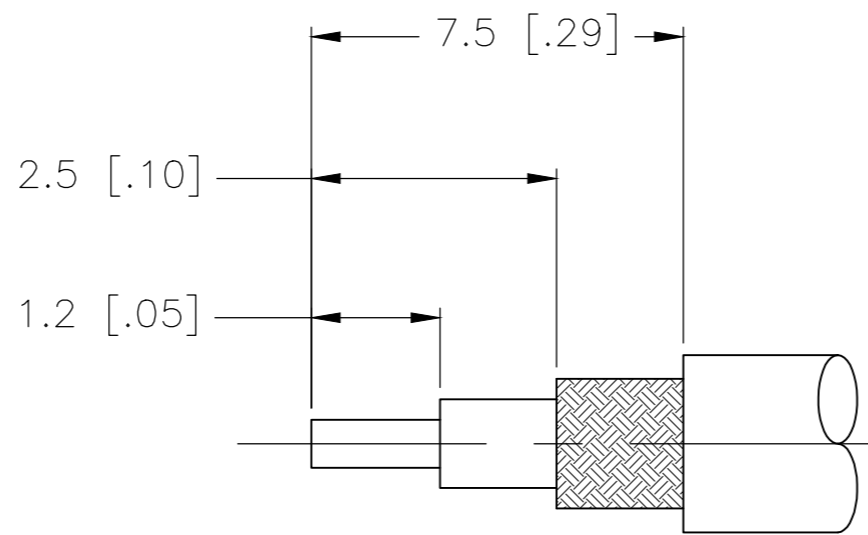
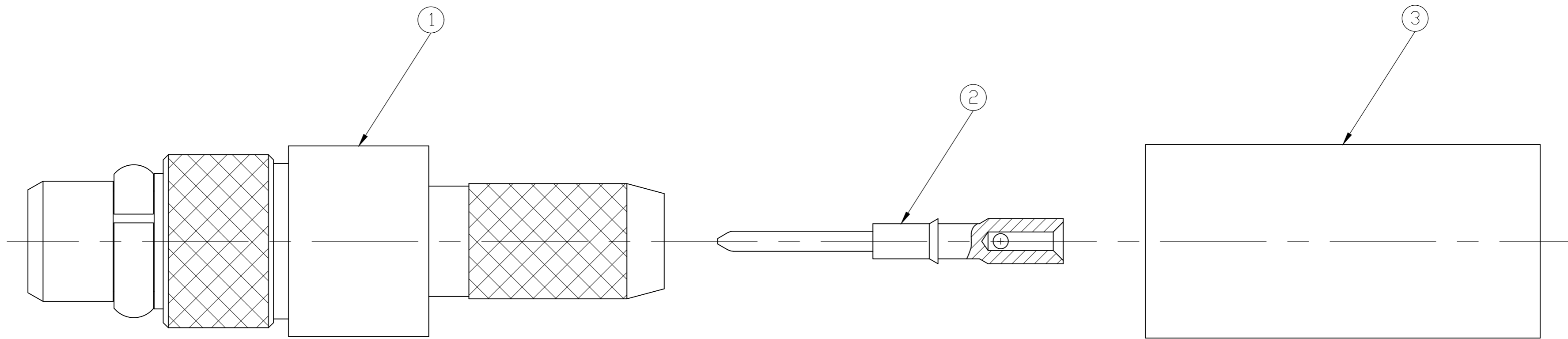


THIS DRAWING IS UNPUBLISHED. RELEASED FOR PUBLICATION
 © COPYRIGHT - TE Connectivity Ltd. ALL RIGHTS RESERVED.

REVISIONS				
P	LTR	DESCRIPTION	DATE	APVD
C1		ECO-15-013027	25JUN2018	RZ RS



RECOMMENDED CABLE STRIP LENGTH (NTS)

1. ITEMS 1, 2, AND 3 PACKAGED UNASSEMBLED

② CRIMP REQUIREMENTS: CENTER CONTACT .70 [.028] SQUARE

③ CRIMP REQUIREMENTS: FERRULE 3.25 [.128] HEX

④ CRIMP REQUIREMENTS: FERRULE 3.86 [.152] HEX

	RD-316	3-413889-2	1408215-4	1408317-1	1408312-2
Obsolete	RG-316	3-413889-1	1408215-4	1408317-1	1408312-1
	CABLE CRIMP INFO	FERRULE	CONTACT	PLUG ASSY	PART NUMBER

THIS DRAWING IS A CONTROLLED DOCUMENT.		DWN RMF 01OCT01	TE Connectivity Ltd. NAME: MMCX STRAIGHT CABLE PLUG		
DIMENSIONS: mm		CHK RMF 02OCT01			
TOLERANCES UNLESS OTHERWISE SPECIFIED:		APVD RMF 02OCT01			
0 PLC ± - 1 PLC ± 0.1 [.004] 2 PLC ± 0.05 [.002] 3 PLC ± - 4 PLC ± - ANGLES ± 1°		PRODUCT SPEC 108-2084			
MATERIAL -		FINISH -	APPLICATION SPEC 408-8626	SIZE A2	CAGE CODE 00779
CUSTOMER DRAWING			WEIGHT 0.000000	DRAWING NO C=1408312	RESTRICTED TO -
			SCALE 15:1	SHEET 1 OF 1	REV C1

X-ON Electronics

Largest Supplier of Electrical and Electronic Components

Click to view similar products for [TE Connectivity](#) manufacturer:

Other Similar products are found below :

[D38999/24FJ4AN](#) [570416-000](#) [CLTEQ-M81CE-SSRELAY-4-20V](#) [4-1195131-0](#) [650069-000](#) [SMD100-2](#) [358838-000](#) [CB-1022B-78](#)
[RM707012](#) [RP410012](#) [MMS42](#) [1-640426-8](#) [2EDL4CM](#) [DTS20W19-11PD-3028-LC](#) [RM202615](#) [NC6-P104-06](#) [MSPS103B](#) [DTS26F21-](#)
[41HE-LC](#) [DTS26F21-41AE](#) [DTS26F21-41PE-LC](#) [DTS26F21-11SE-3028-LC](#) [30DCB6](#) [1932144-1](#) [293545-4](#) [LVR125S](#) [MS27466T25F4PB](#)
[CKB-38-78010](#) [TR04AI-TINELLOCKRING](#) [1206SFF150F/63-2](#) [D38999/20JB35HA](#) [TE1500A2R2J](#) [D38999/20WC8BB](#) [DTS24F19-11SC-](#)
[3028-LC](#) [D38999/24WG11HA](#) [D38999/24WG11HN](#) [MS27467T21F11H](#) [DJT16E21-11HA](#) [MS27467T21F35J](#) [MS27467T21F11J](#)
[MS27467T21F16H-LC](#) [MS27467T21F35H](#) [MS27467T21F41H-LC](#) [1206SFH150F/24-2](#) [RP330024](#) [DJT16E21-11PA-LC](#) [DJT16E21-11HA-](#)
[LC](#) [DJT16E21-11AA](#) [MS27467T21B11JA](#) [DJT16E21-11JA](#) [MS27467T21B11JA-LC](#)