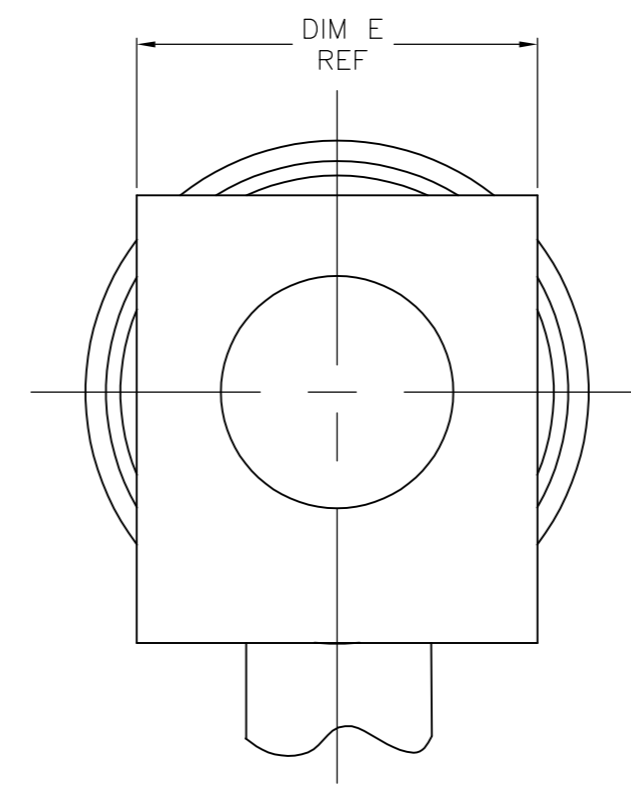
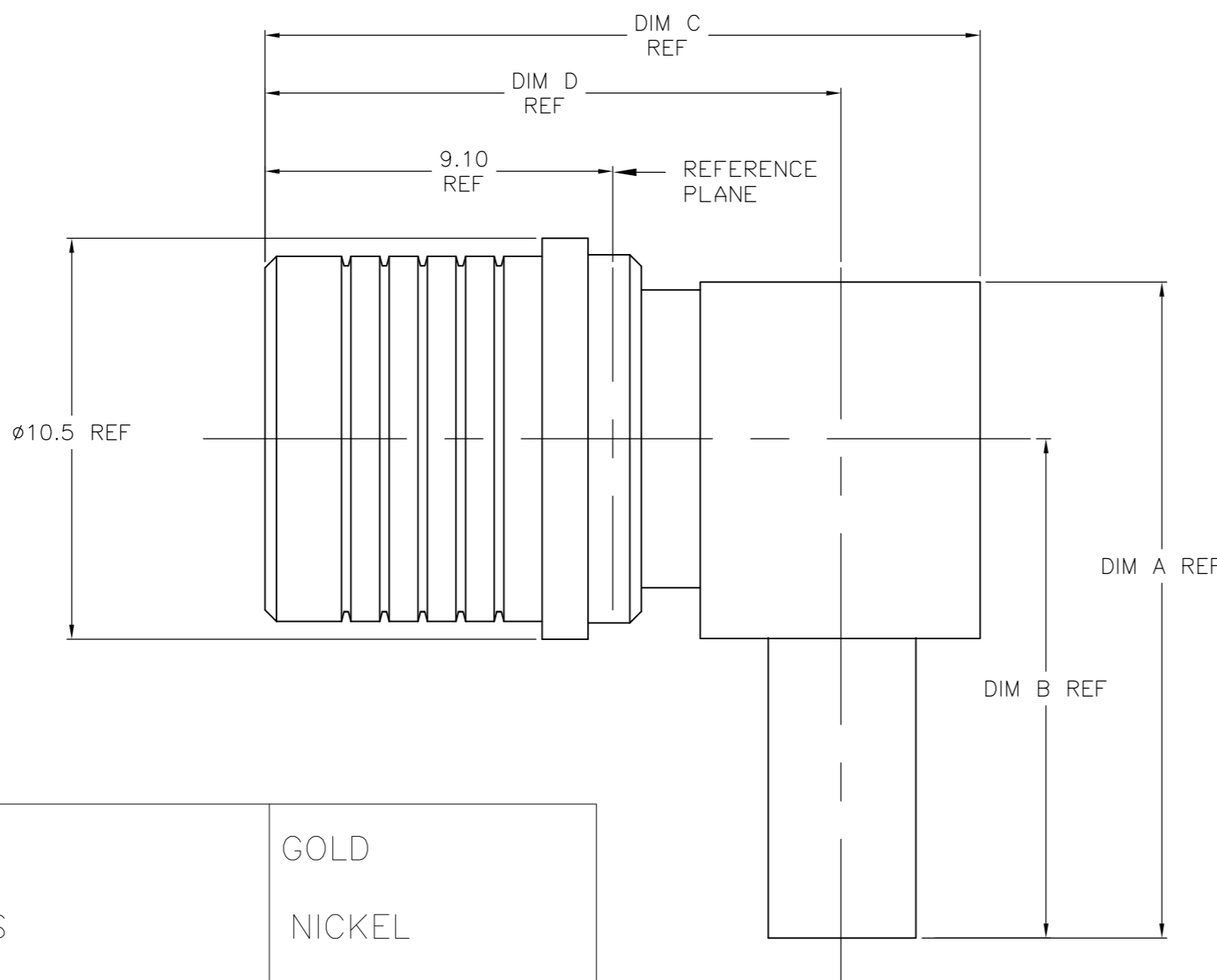


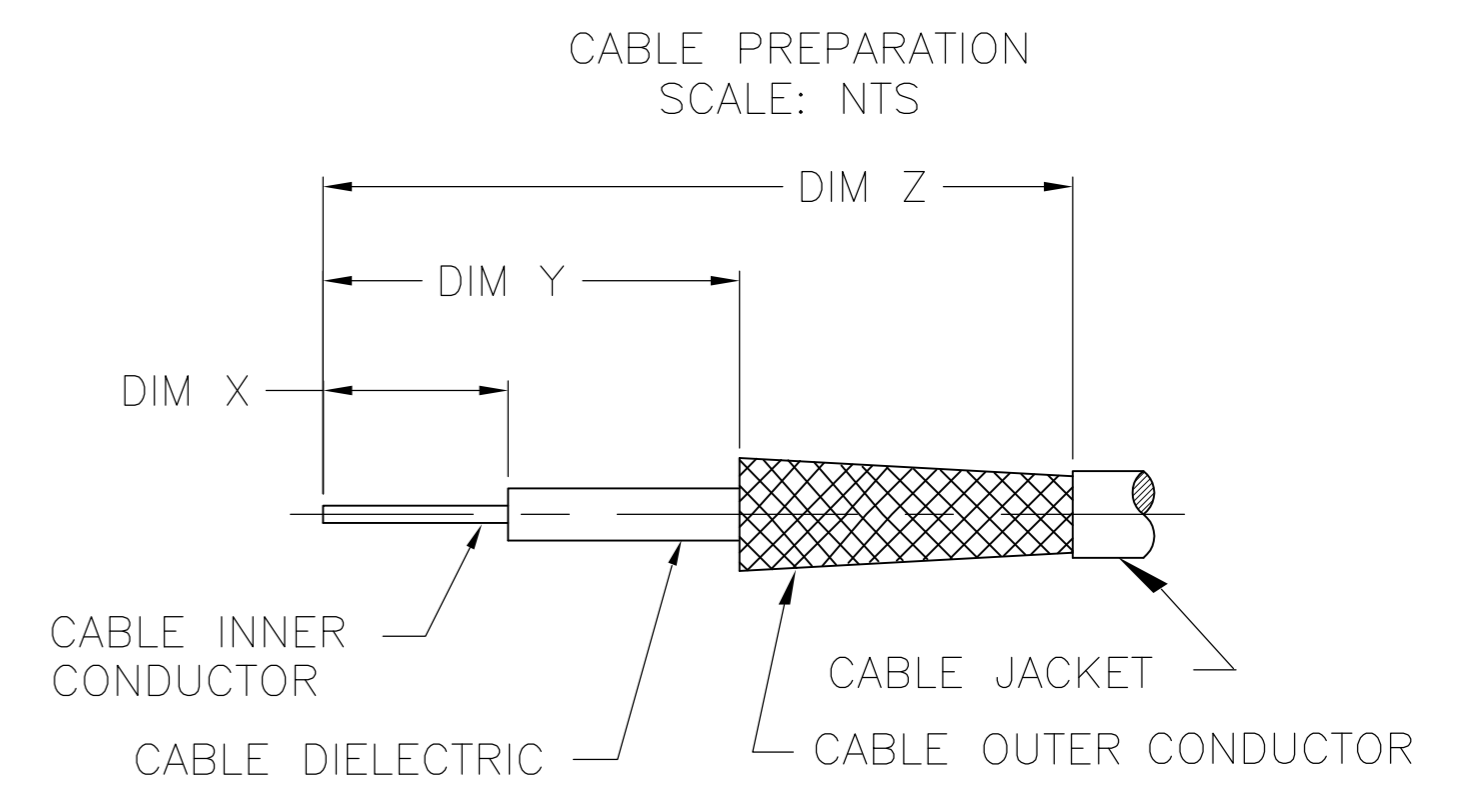
THIS DRAWING IS UNPUBLISHED. RELEASED FOR PUBLICATION  
 © COPYRIGHT - TE Connectivity ALL RIGHTS RESERVED.

REVISIONS					
P	LTR	DESCRIPTION	DATE	DWN	APVD
C4		REVISED PER ECR-17-009545	08AUG2017	AS	RS
C3		REVISED PER ECO-09-024927	07NOV09	KK	AEG



- 1 SINGLE PACKED
- 2 BULK PACKED IN QUANTITIES OF 100
- 3 CRIMP FERRULE USING CRIMP DIE  
HEX SIZE SPECIFIED IN TABLE
- 4. IS SHEET 408-8638
- 5 INSERTION LOSS VALUE FROM  
PRODUCT SPEC DOES NOT APPLY
- 6 OBSOLETE PARTS: OBSOLETE CIS STREAMLINING  
PER D.RENAUD/D.SINISI

CENTER CONTACT	BRASS	GOLD
HOUSING	BRASS	NICKEL
RELEASE RING	PHOSPHOR BRONZE	WHITE BRONZE
FERRULE	COPPER OR BRASS	NICKEL
OUTER CONTACT	BERYLLIUM COPPER	NICKEL
DIELECTRIC	PTFE	N/A
COMPONENT	MATERIAL	FINISH



5	MA318	1	22.7	17.7	22.8	17.2	11.1	3.8	7.6	19.8	9.75	2016047-2	1404236-1	1408369-3	1-1408336-0
	RG58/U, 141, 303 & SF142	2	19.8	15.4	18.7	15.1	8.71	2.8	6.2	11.2	5.41	1-1403081-8	9-446556-2	1408369-2	6 1408336-8
	RG58/U, 141, 303 & SF142	1	19.8	15.4	18.7	15.1	8.71	2.8	6.2	11.2	5.41	1-1403081-8	9-446556-2	1408369-2	1408336-7
	RG55/U, 142, 223 & 400	2	22.3	17.9	18.7	15.1	8.71	2.8	6.2	11.2	5.41	1-1403081-8	2-1403102-5	1408369-2	6 1408336-6
	RG55/U, 142, 223 & 400	1	22.3	17.9	18.7	15.1	8.71	2.8	6.2	11.2	5.41	1-1403081-8	2-1403102-5	1408369-2	6 1408336-5
	RD316/U	2	17.5	13.1	18.7	15.1	8.71	2.8	6.2	11.2	3.83	1-1403081-8	2-413889-7	1408369-1	6 1408336-4
	RD316/U	1	17.5	13.1	18.7	15.1	8.71	2.8	6.2	11.2	3.83	1-1403081-8	2-413889-7	1408369-1	1408336-3
	RG316/U, 174 & 188	2	17.5	13.1	18.7	15.1	8.71	2.8	6.2	11.2	3.25	1-1403081-8	2-413889-4	1408369-1	6 1408336-2
	RG316/U, 174 & 188	1	17.5	13.1	18.7	15.1	8.71	2.8	6.2	11.2	3.25	1-1403081-8	2-413889-4	1408369-1	1408336-1
	CABLE	PKG	DIM A	DIM B	DIM C	DIM D	DIM E	DIM X	DIM Y	DIM Z	HEX 3	CAP	FERRULE	HSG ASSY	PART NO

THIS DRAWING IS A CONTROLLED DOCUMENT.

DWN	D Cam	06NOV2001
CHK	RMF	12/18/02
APVD	D Cam	12/18/02
PRODUCT SPEC	108-2087	
APPLICATION SPEC		
WEIGHT	0.000000	
CUSTOMER DRAWING		

**TE** TE Connectivity

QMA RIGHT ANGLE CABLE PLUG  
CRIMP ATTACHMENT

SIZE	A2	CAGE CODE	00779	DRAWING NO	C=1408336	RESTRICTED TO	-
SCALE	10:1	SHEET	1 OF 1	REV	C4		

## X-ON Electronics

Largest Supplier of Electrical and Electronic Components

*Click to view similar products for [RF Connectors](#) / [Coaxial Connectors](#) category:*

*Click to view products by [TE Connectivity](#) manufacturer:*

Other Similar products are found below :

[R125315120](#) [8915-1511-000](#) [89674-0827](#) [5916-1103-603](#) [6-0001-3](#) [6001-7071-019](#) [6002-7051-003](#) [6002-7551-202](#) [6059674-1](#) [619550-1](#)  
[630059-000](#) [M39012/25-0021](#) [M39012/79-3008](#) [M39030/3-01N](#) [M39030/3-03N](#) [M3933/25-36N](#) [6500-7071-046](#) [M83723/72W24576](#)  
[M83723/72W2457N](#) [6769](#) [CX050L2AQ](#) [7002-1541-010](#) [7002-1572-002](#) [7003-1572-002](#) [7010-1511-000](#) [7029-1511-060](#) [7101-1541-010](#)  
[7101-1571-002](#) [7105-1521-002](#) [7145-1521-002](#) [7209-1511-011](#) [7210-1511-015](#) [7210-1511-019](#) [7225-1512-050](#) [7242-1511-000](#) [73137-5015](#)  
[73251-0111](#) [73251-0672](#) [7325-1512-000](#) [73276-1501](#) [73366-0013](#) [73404-2300](#) [73413-6080](#) [73415-5721](#) [7405-1521-005](#) [7405-1521-802](#)  
[7406-1521-005](#) [804S01D04M040](#) [8145-1521-002](#) [81590](#)