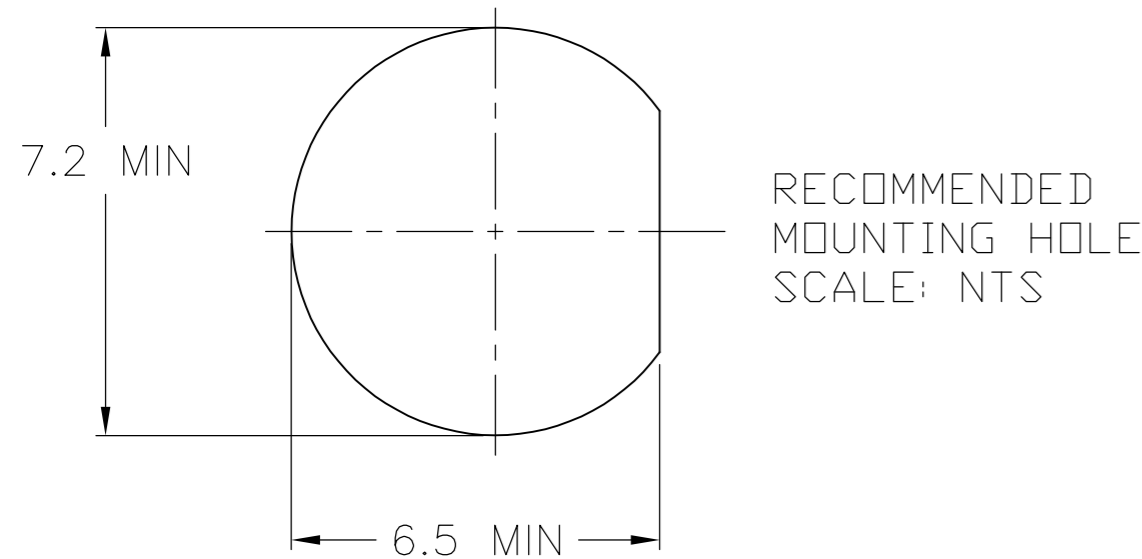
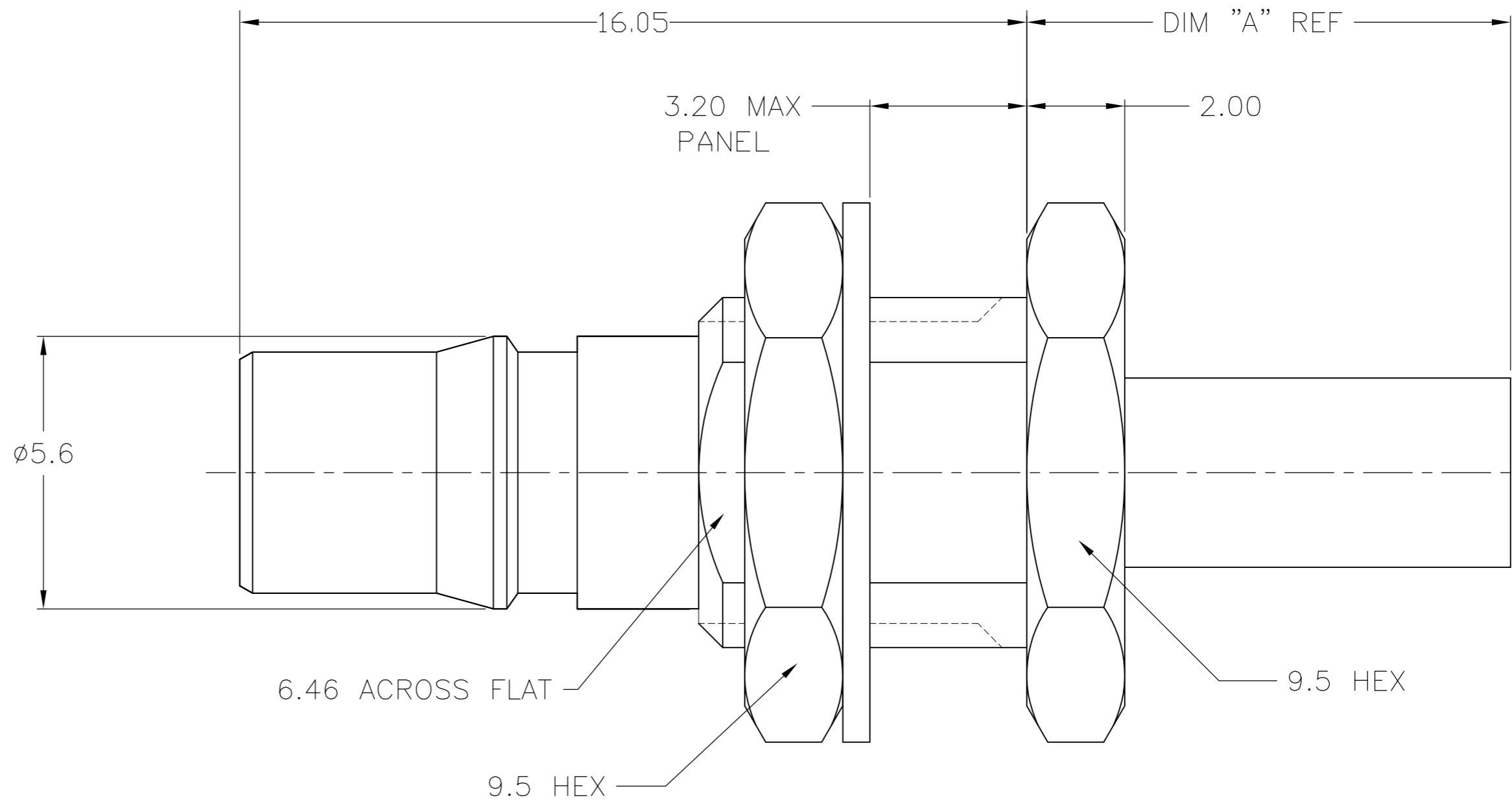
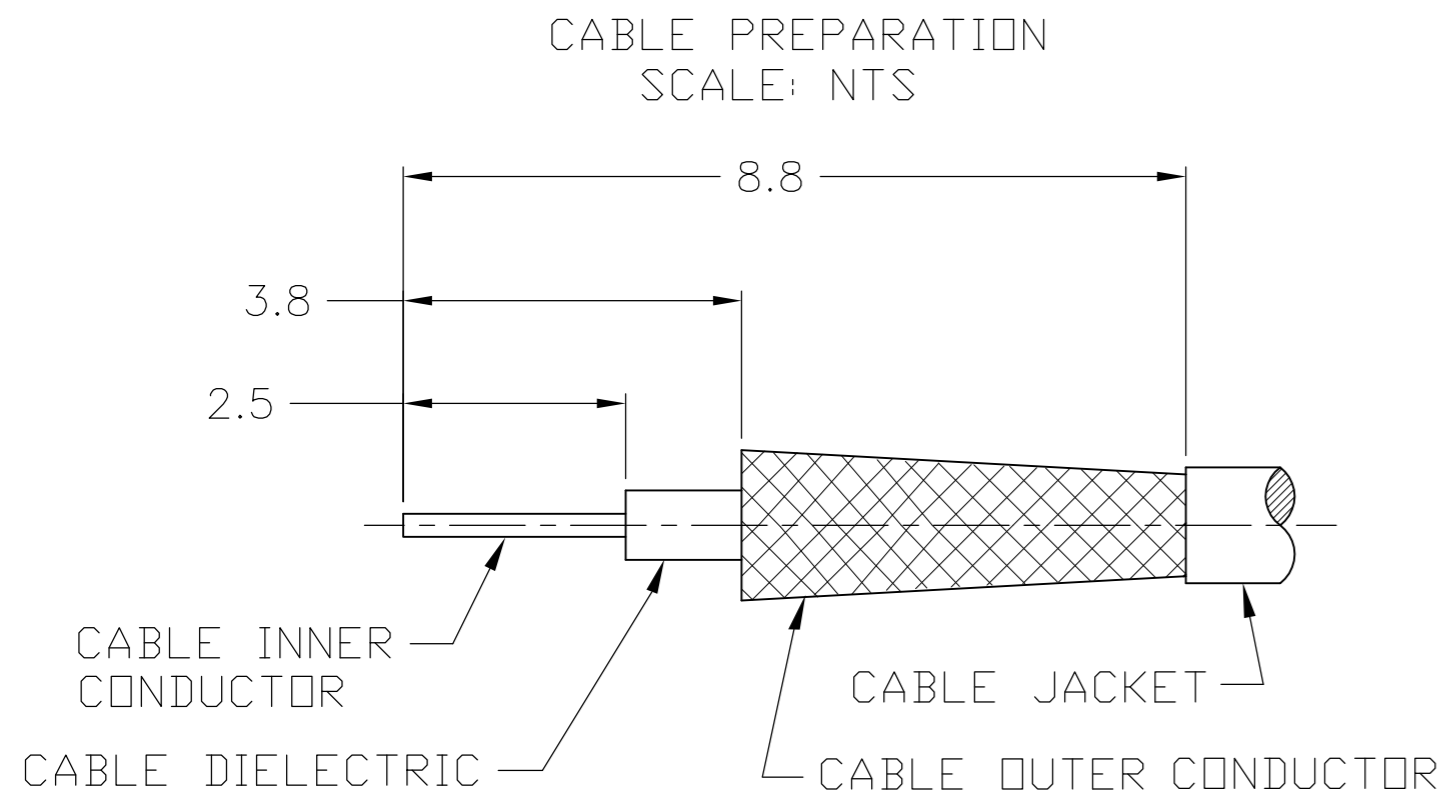


THIS DRAWING IS UNPUBLISHED. RELEASED FOR PUBLICATION  
 © COPYRIGHT BY TYCO ELECTRONICS CORPORATION. ALL RIGHTS RESERVED.

LOC	DIST	REVISIONS			
P	LTR	DESCRIPTION	DATE	DWN	APVD
AJ	16				
	C2	REVISED PER ECO-08-000700	2/5/2008	DW	BW
	C3	REVISED PER ECO-09-024927	07NOV09	KK	AEG

- 1. CRIMP FERRULE USING CRIMP DIE HEX SIZE SPECIFIED IN TABLE.
- 2. SINGLE PACKED
- 3. BULK PACKED IN QUANTITIES OF 100
- 4. ASSEMBLE USING INSTRUCTION SHEET IS 408-8817
- 5. OBSOLETE PARTS: OBSOLETE CIS STREAMLINING PER D.RENAUD/D.SINISI



OBSOLETE	3	12.2	5.41	RG58/U, 141, 303 & SF142	8-1403077-0	5-1403080-8	1408411-8	9-446556-2	1408408-2	1408339-8
	2	12.2	5.41	RG58/U, 141, 303 & SF142	8-1403077-0	5-1403080-8	1408411-8	9-446556-2	1408408-2	1408339-7
	3	12.2	5.41	RG55/U, 142, 223 & 400	8-1403077-0	5-1403080-8	1408411-8	2-1403102-5	1408408-2	1408339-6
	2	12.2	5.41	RG55/U, 142, 223 & 400	8-1403077-0	5-1403080-8	1408411-8	2-1403102-5	1408408-2	1408339-5
	3	9.9	3.83	RD316/U	8-1403077-0	5-1403080-8	1408411-4	2-413889-7	1408408-1	1408339-4
	2	9.9	3.83	RD316/U	8-1403077-0	5-1403080-8	1408411-4	2-413889-7	1408408-1	1408339-3
	3	9.9	3.25	RG316/U, 174 & 188	8-1403077-0	5-1403080-8	1408411-4	2-413889-4	1408408-1	1408339-2
	2	9.9	3.25	RG316/U, 174 & 188	8-1403077-0	5-1403080-8	1408411-4	2-413889-4	1408408-1	1408339-1
PACK	DIM A	HEX	CABLE	MTG NUT	WASHER	CONTACT	FERRULE	HSG ASSY	PART NO.	

CENTER CONTACT	BERYLLIUM COPPER	GOLD
HOUSING NUT	BRASS	NICKEL
FERRULE	COPPER OR BRASS	NICKEL
WASHER	BRONZE	NICKEL
DIELECTRIC	PTFE	N/A
COMPONENT	MATERIAL	FINISH

THIS DRAWING IS A CONTROLLED DOCUMENT.

DWN	DCam	25SEP2002
CHK	DG	4/15/03
APVD	DCam	4/15/03
PRODUCT SPEC	108-2087	
APPLICATION SPEC	-	
WEIGHT	-	
CUSTOMER DRAWING	SCALE 10:1 SHEET 1 OF 1 REV C3	

Tyco Electronics Corporation  
 Harrisburg, PA 17105-3608

QMA STRAIGHT CABLE JACK CRIMP ATTACHMENT

SIZE A2 CAGE CODE 00779 C=1408339 RESTRICTED TO -

## X-ON Electronics

Largest Supplier of Electrical and Electronic Components

*Click to view similar products for [RF Connectors / Coaxial Connectors](#) category:*

*Click to view products by [TE Connectivity](#) manufacturer:*

Other Similar products are found below :

[8915-1511-000](#) [89674-0827](#) [6001-7071-019](#) [6002-7051-003](#) [6002-7551-202](#) [6059674-1](#) [619550-1](#) [630059-000](#) [M39030/3-01N](#) [6500-7071-046](#) [6769](#) [CX050L2AQ](#) [7002-1541-010](#) [7002-1542-011](#) [7004-1512-000](#) [7009-1511-004](#) [7010-1511-000](#) [7029-1511-060](#) [7101-1541-010](#) [7101-1571-002](#) [7105-1521-002](#) [7145-1521-002](#) [7203-1571-003](#) [7209-1511-011](#) [7210-1511-015](#) [7210-1511-019](#) [73137-5015](#) [73216-2241](#) [73404-2300](#) [7405-1521-005](#) [7405-1521-802](#) [8527](#) [8547](#) [FS11V](#) [877931](#) [9049-9513-000](#) [9074-9513-000](#) [9101-9573-002](#) [910A205F](#) [9130-9573-002](#) [PL11SC-026](#) [PL375-33](#) [PL40-5](#) [PL74C-221](#) [PL75MC-217](#) [PL803-7](#) [1200690078](#) [1-201144-1](#) [R107003010W](#) [R110A172100](#)