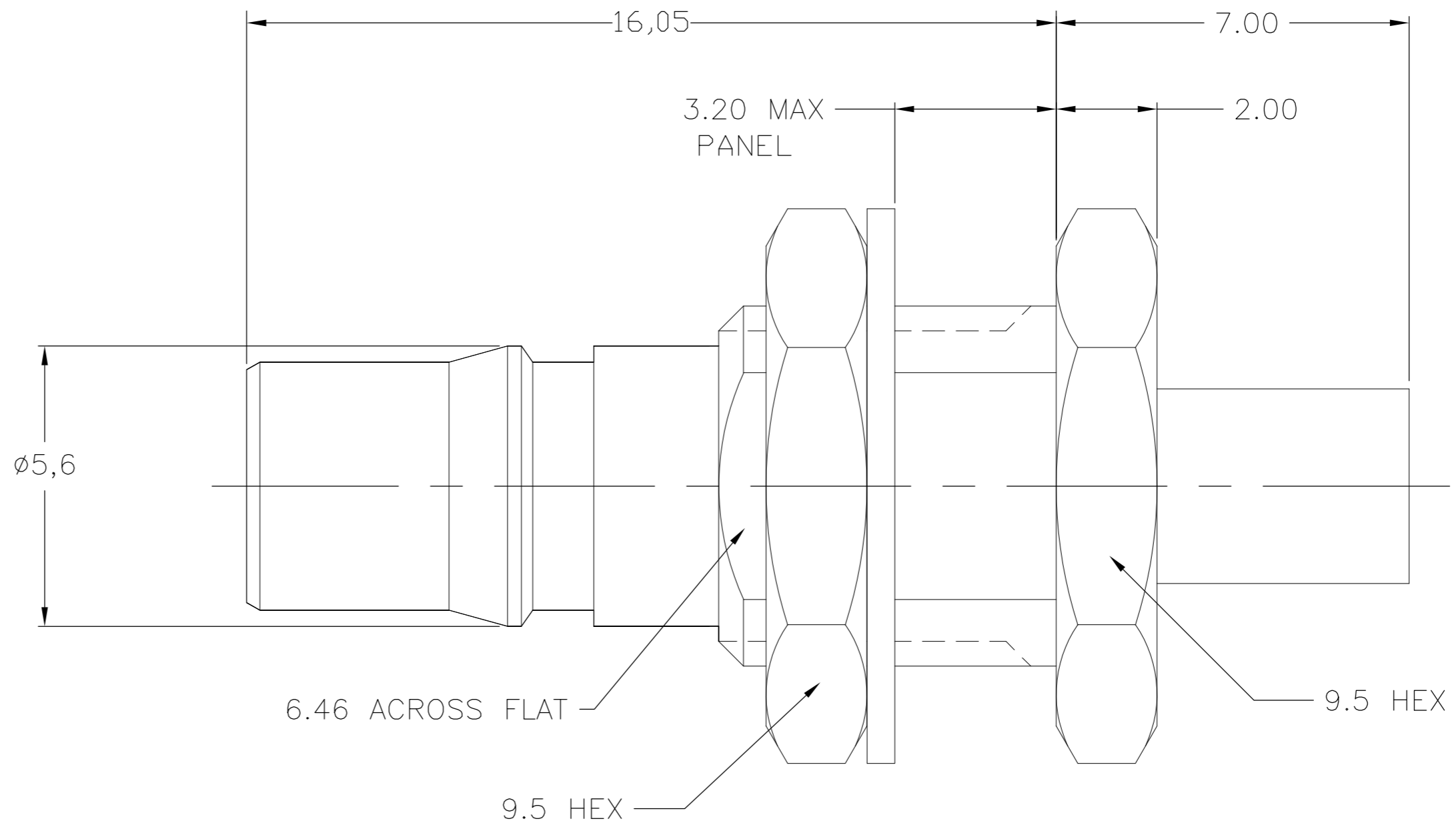
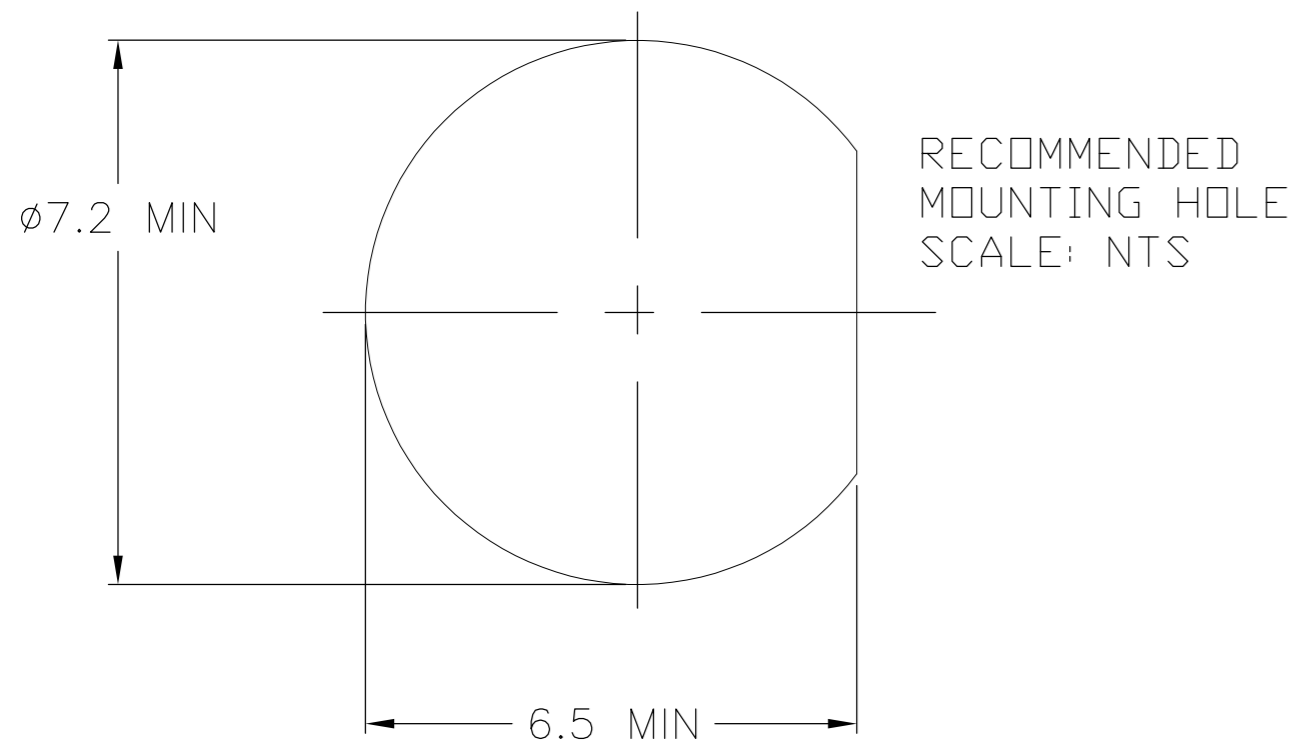
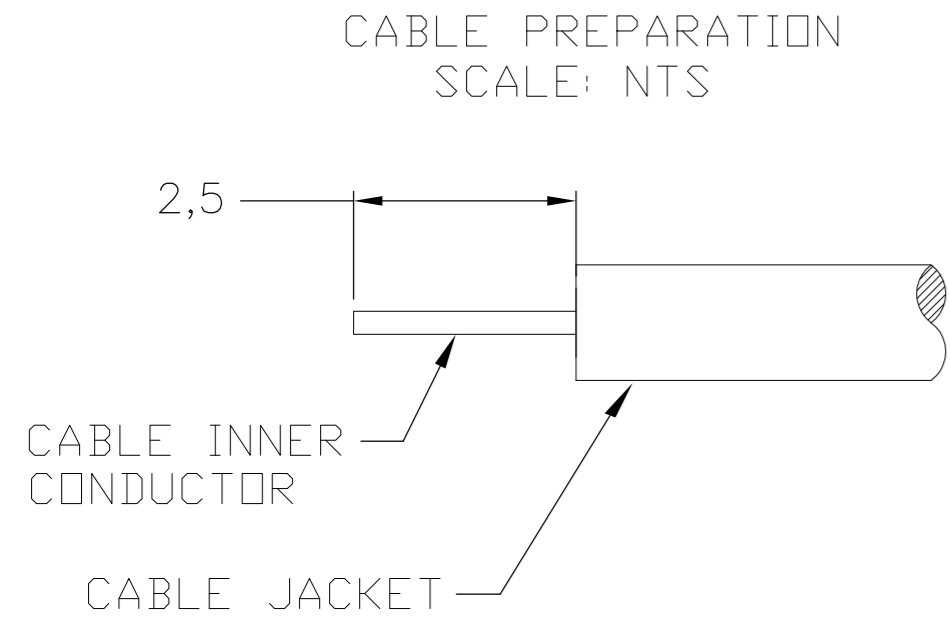


THIS DRAWING IS UNPUBLISHED. RELEASED FOR PUBLICATION  
 © COPYRIGHT BY TYCO ELECTRONICS CORPORATION. ALL RIGHTS RESERVED.

LOC	DIST	REVISIONS			
P	LTR	DESCRIPTION	DATE	DWN	APVD
HC	00	REV PER ECO 09-011512	5/27/2009	DW	JO

- NOTES:
- DESIGNED FOR USE WITH .141 SEMI-RIGID (RG402/U) AND CONFORMABLE CABLES WITH SIMILAR DIAMETERS
  - ASSEMBLE TO CABLE USING IS 408-8905



CENTER CONTACT	BERYLLIUM COPPER	GOLD
HOUSING NUT	BRASS	GOLD
WASHER	BRONZE	GOLD
DIELECTRIC	PTFE	N/A
COMPONENT	MATERIAL	FINISH

8-1403077-1	5-1403080-9	1408411-8	1408461-1	1408349-1
MTG NUT	WASHER	CONTACT	HSG ASSY	PART NO.

THIS DRAWING IS A CONTROLLED DOCUMENT.

DWN	D Cam	11Nov2002	Tyco Electronics Corporation Norwood, MA 02062			
CHK	-	-				
APVD	D Cam	3/5/04	NAME QMA STRAIGHT CABLE JACK DIRECT SOLDER ATTACHMENT			
PRODUCT SPEC	108-2087					
APPLICATION SPEC	-		SIZE	CAGE CODE	DRAWING NO	RESTRICTED TO
MATERIAL	-	WEIGHT	A2	00779	C=1408349	-
FINISH	-	CUSTOMER DRAWING	SCALE	10:1	SHEET	1 OF 1
						REV
						A

## X-ON Electronics

Largest Supplier of Electrical and Electronic Components

*Click to view similar products for [RF Connectors / Coaxial Connectors](#) category:*

*Click to view products by [TE Connectivity](#) manufacturer:*

Other Similar products are found below :

[8915-1511-000](#) [89674-0827](#) [6001-7071-019](#) [6002-7051-003](#) [6002-7551-202](#) [6059674-1](#) [619550-1](#) [630059-000](#) [M39030/3-01N](#) [6500-7071-046](#) [6769](#) [CX050L2AQ](#) [7002-1541-010](#) [7002-1542-011](#) [7004-1512-000](#) [7009-1511-004](#) [7010-1511-000](#) [7029-1511-060](#) [7101-1541-010](#) [7101-1571-002](#) [7105-1521-002](#) [7145-1521-002](#) [7203-1571-003](#) [7209-1511-011](#) [7210-1511-015](#) [7210-1511-019](#) [73137-5015](#) [73216-2241](#) [73404-2300](#) [7405-1521-005](#) [7405-1521-802](#) [8527](#) [8547](#) [FS11V](#) [877931](#) [9049-9513-000](#) [9074-9513-000](#) [9101-9573-002](#) [910A205F](#) [9130-9573-002](#) [PL11SC-026](#) [PL375-33](#) [PL40-5](#) [PL74C-221](#) [PL75MC-217](#) [PL803-7](#) [1200690078](#) [1-201144-1](#) [R107003010W](#) [R110A172100](#)