

THIS DRAWING IS UNPUBLISHED. RELEASED FOR PUBLICATION
 © COPYRIGHT BY TYCO ELECTRONICS CORPORATION. ALL RIGHTS RESERVED.

LOC	DIST	REVISIONS			
P	LTR	DESCRIPTION	DATE	DWN	APVD
HC	00	B	RELEASE PER ECO-09-016735	17Jul09	AM BOB

NOTES:

- DESIGNED FOR USE WITH TIMES LMR-240 CABLE
- CRIMP FERRULE TO A .255 HEX
- ASSEMBLE USING IS SHEET 408-8814

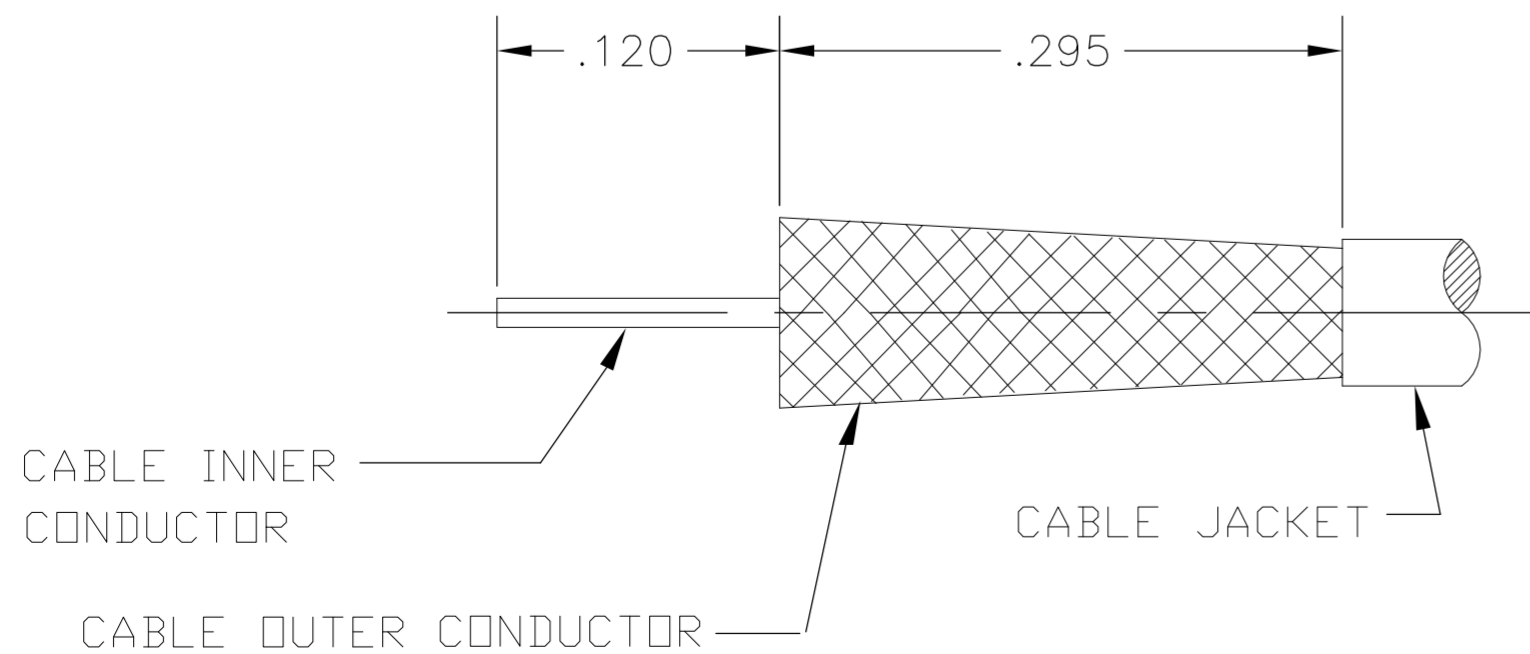
- ① BRASS
- ② STAINLESS STEEL
- ③ BERYLLIUM COPPER
- ④ PTFE
- ⑤ SILICONE RUBBER
- ⑥ GOLD PLATE
- ⑦ NICKEL PLATE
- ⑧ PASSIVATE
- ⑨ WHITE BRONZE

SMA PLUG

1.091 REF

.312 HEX

CABLE PREPARATION
SCALE: NTS



① ⑦	⑤	④	① ⑥	③	① ⑦	1408442-3
① ⑦	⑤	④	① ⑥	③	② ⑧	1408442-1
FERRULE	GASKET	DIELECTRIC	CONTACT	RETAINING RING	HOUSING & COUPLING NUT	TE P/N

THIS DRAWING IS A CONTROLLED DOCUMENT.		DWN DCam	22AUG2002	Tyco Electronics Corporation Kunshan, Jiangsu, RPC215321		
DIMENSIONS: INCHES		TOLERANCES UNLESS OTHERWISE SPECIFIED:		NAME SMA STRAIGHT CABLE PLUG CRIMP ATTACHMENT		
① ② ③ ④		PLC ± - PLC ± - PLC ± .005 PLC ± - ANGLES ± 1		PRODUCT SPEC 108-1574		
MATERIAL		FINISH		APPLICATION SPEC 408-8814		
				SIZE A2		
				CAGE CODE 00779		
				DRAWING NO 1408442		
				RESTRICTED TO		
CUSTOMER DRAWING				SCALE 10:1	SHEET 1 OF 1	REV B

X-ON Electronics

Largest Supplier of Electrical and Electronic Components

Click to view similar products for [RF Connectors / Coaxial Connectors](#) category:

Click to view products by [TE Connectivity](#) manufacturer:

Other Similar products are found below :

[8915-1511-000](#) [89674-0827](#) [6001-7071-019](#) [6002-7051-003](#) [6002-7551-202](#) [6059674-1](#) [619550-1](#) [630059-000](#) [M39030/3-01N](#) [6500-7071-046](#) [6769](#) [CX050L2AQ](#) [7002-1541-010](#) [7002-1542-011](#) [7004-1512-000](#) [7009-1511-004](#) [7010-1511-000](#) [7029-1511-060](#) [7101-1541-010](#) [7101-1571-002](#) [7105-1521-002](#) [7145-1521-002](#) [7203-1571-003](#) [7209-1511-011](#) [7210-1511-015](#) [7210-1511-019](#) [73137-5015](#) [73216-2241](#) [73404-2300](#) [7405-1521-005](#) [7405-1521-802](#) [8527](#) [8547](#) [FS11V](#) [877931](#) [9049-9513-000](#) [9074-9513-000](#) [9101-9573-002](#) [910A205F](#) [9130-9573-002](#) [PL11SC-026](#) [PL375-33](#) [PL40-5](#) [PL74C-221](#) [PL75MC-217](#) [PL803-7](#) [1200690078](#) [1-201144-1](#) [R107003010W](#) [R110A172100](#)