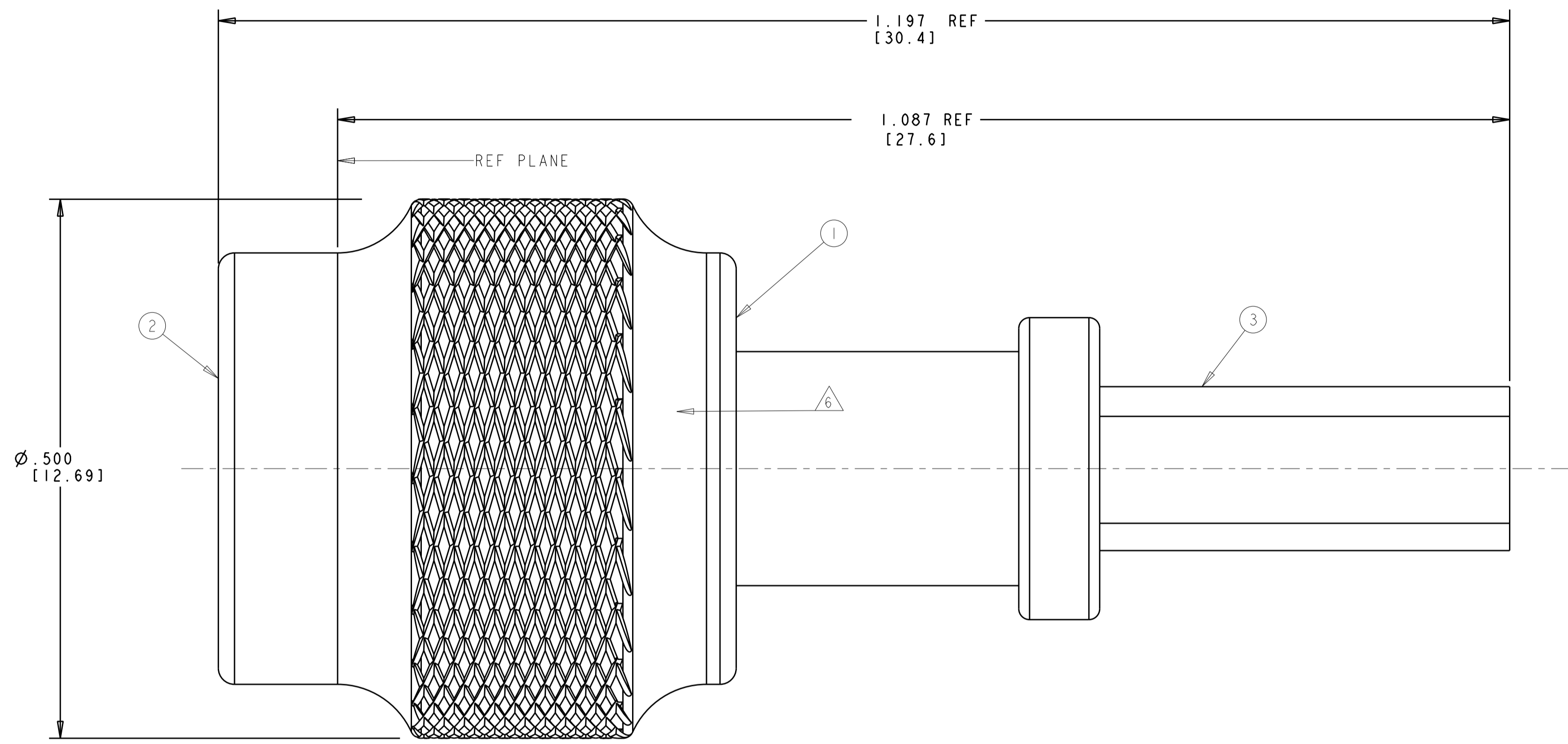


THIS DRAWING IS UNPUBLISHED. RELEASED FOR PUBLICATION 20  
 © COPYRIGHT 20 BY TYCO ELECTRONICS CORPORATION. ALL RIGHTS RESERVED.

LOC	DIST	REVISIONS			
P	LTR	DESCRIPTION	DATE	DWN	APVD
AJ	00	A	RELEASED	01MAY2007	DW KW



1. DESIGNED FOR USE WITH RG316 OR EQUIV CABLES
  2. ITEMS PACKAGED UNASSEMBLED.
  3. SEE SEPARATE CUSTOMER DRAWINGS FOR ITEM DETAILS.
  4. SEE INSTRUCTION SHEET 408-10144 FOR CABLE TERMINATION DETAILS.
  5. SEE SHEET 2 FOR MATING SMA JACK REQUIREMENTS.
- △ MATE AND LOCK CONNECTOR BY SLIDING SLEEVE IN DIRECTION INDICATED.

1403102-5	1274882-2	1274955-1	1408541-1
③ FERRULE	② CONTACT	① PLUG ASSY	PART NUMBER

<small>THIS DRAWING IS A CONTROLLED DOCUMENT FOR TYCO ELECTRONICS CORPORATION. IT IS SUBJECT TO CHANGE AND THE CONTROLLING ENGINEERING ORGANIZATION SHOULD BE CONTACTED FOR THE LATEST REVISION.</small>		DWN D. WALLACE 01MAY2007 CHK K. WEIDNER 01MAY2007 APVD K. WEIDNER 01MAY2007	Tyco Electronics Harrisburg, PA 17105-3608
DIMENSIONS: INCHES [mm]	TOLERANCES UNLESS OTHERWISE SPECIFIED: 0 PLC ± 1 PLC ± 2 PLC ± 3 PLC ±.010 [.25] 4 PLC ± ANGLES ±° FINISH	PRODUCT SPEC 108-2268 APPLICATION SPEC	NAME SMA LOCKING PUSH ON CABLE PLUG KIT
MATERIAL		WEIGHT	SIZE CAGE CODE DRAWING NO RESTRICTED TO
			A200779 C-1408541 -
CUSTOMER DRAWING		SCALE 12:1	SHEET 1 OF 2 REV A

4

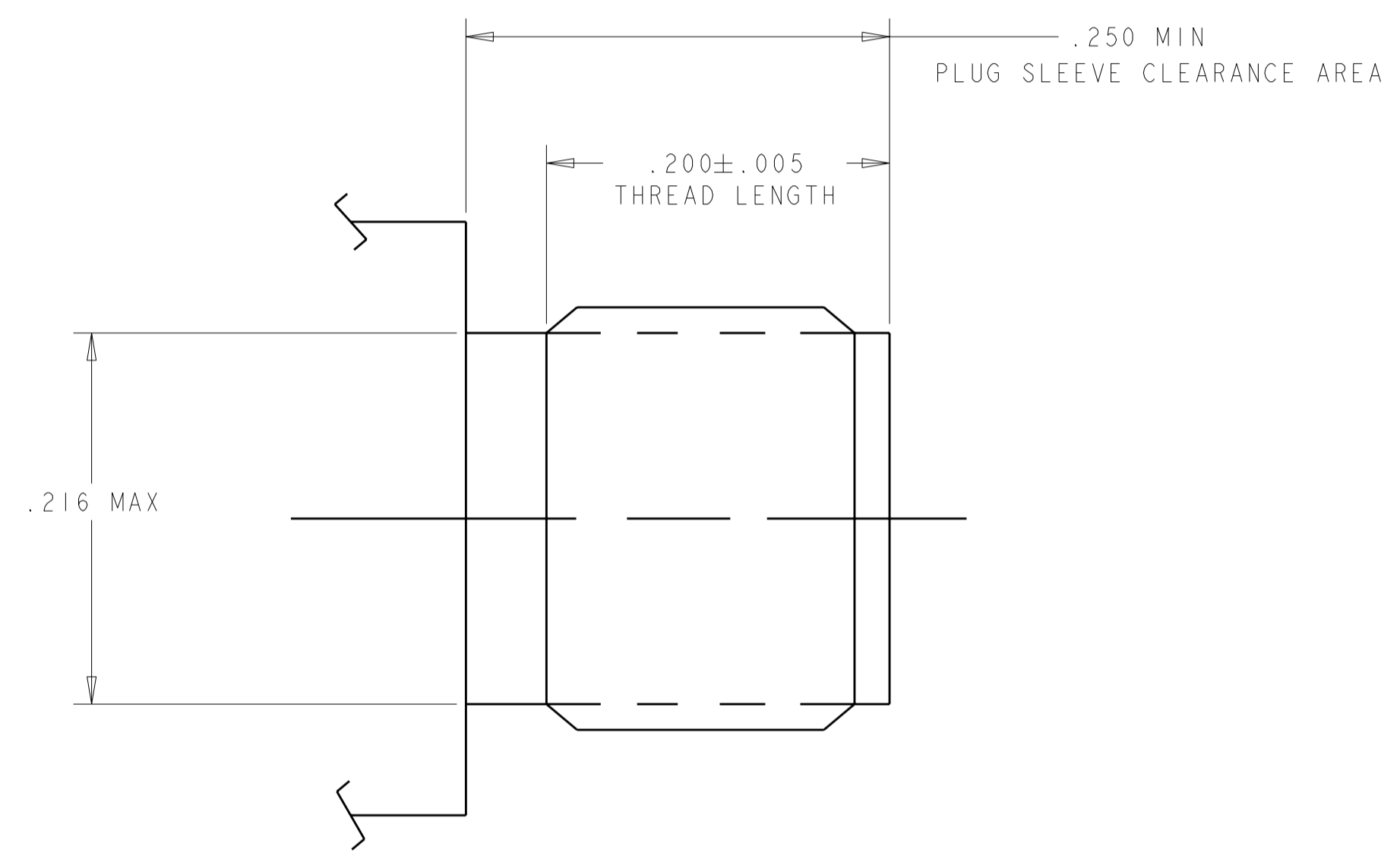
3

2

1

THIS DRAWING IS UNPUBLISHED. RELEASED FOR PUBLICATION 20  
 © COPYRIGHT 20 BY TYCO ELECTRONICS CORPORATION. ALL RIGHTS RESERVED.

LOC	DIST	REVISIONS			
P	LTR	DESCRIPTION	DATE	DWN	APVD
-	-	SEE SHEET 1	-	-	-



- 7. SMA JACKS MATED TO TYCO SMA LOCKING PLUGS SHALL MEET THE REQUIREMENTS INDICATED. ALL OTHER SMA JACK INTERFACE DIMENSIONS SHALL CONFORM TO MIL-MIG STD-348.
- 8. PRODUCT IS DESIGNED AND QUALIFIED TO MATE WITH GOLD PLATED SMA JACKS.

<small>THIS DRAWING IS A CONTROLLED DOCUMENT FOR TYCO ELECTRONICS CORPORATION. IT IS SUBJECT TO CHANGE AND THE CONTROLLING ENGINEERING ORGANIZATION SHOULD BE CONTACTED FOR THE LATEST REVISION.</small>		DWN <u>D. WALLACE</u> 01MAY2007 CHK <u>K. WEIDNER</u> 01MAY2007 APVD <u>K. WEIDNER</u> 01MAY2007	Tyco Electronics Harrisburg, PA 17105-3608
DIMENSIONS: INCHES	TOLERANCES UNLESS OTHERWISE SPECIFIED: 0 PLC ± 1 PLC ± 2 PLC ± 3 PLC ±.010 4 PLC ± ANGLES ±° FINISH	PRODUCT SPEC 108-2268 APPLICATION SPEC - WEIGHT - CUSTOMER DRAWING	NAME SMA LOCKING PUSH ON CABLE PLUG SIZE A200779
MATERIAL -		DRAWING NO 1408541	RESTRICTED TO -
AMP 1471-9 REV 31MAR2000		SCALE 1:1	SHEET 2 OF 2 REV A

## X-ON Electronics

Largest Supplier of Electrical and Electronic Components

*Click to view similar products for [RF Connectors / Coaxial Connectors](#) category:*

*Click to view products by [TE Connectivity](#) manufacturer:*

Other Similar products are found below :

[8915-1511-000](#) [89674-0827](#) [6001-7071-019](#) [6002-7051-003](#) [6002-7551-202](#) [6059674-1](#) [619550-1](#) [630059-000](#) [M39030/3-01N](#) [6500-7071-046](#) [6769](#) [CX050L2AQ](#) [7002-1541-010](#) [7002-1542-011](#) [7004-1512-000](#) [7009-1511-004](#) [7010-1511-000](#) [7029-1511-060](#) [7101-1541-010](#) [7101-1571-002](#) [7105-1521-002](#) [7145-1521-002](#) [7203-1571-003](#) [7209-1511-011](#) [7210-1511-015](#) [7210-1511-019](#) [73137-5015](#) [73216-2241](#) [73404-2300](#) [7405-1521-005](#) [7405-1521-802](#) [8527](#) [8547](#) [FS11V](#) [877931](#) [9049-9513-000](#) [9074-9513-000](#) [9101-9573-002](#) [910A205F](#) [9130-9573-002](#) [PL11SC-026](#) [PL375-33](#) [PL40-5](#) [PL74C-221](#) [PL75MC-217](#) [PL803-7](#) [1200690078](#) [1-201144-1](#) [R107003010W](#) [R110A172100](#)