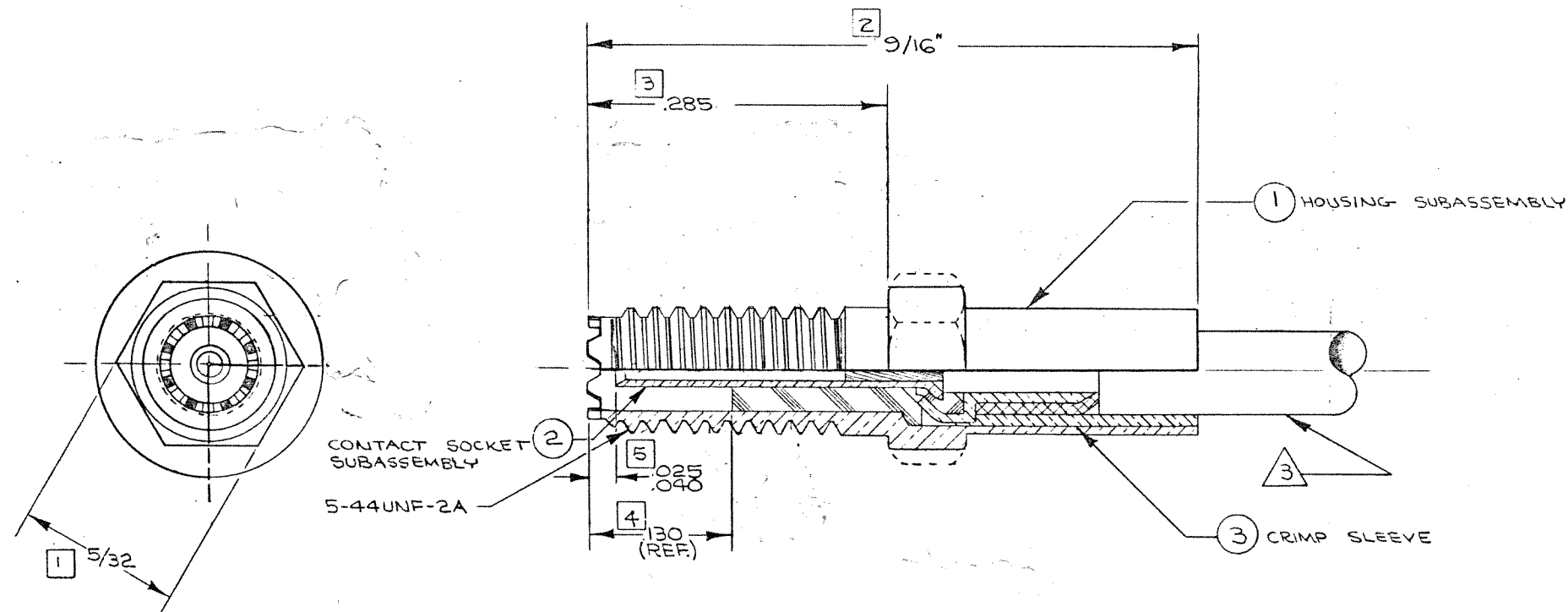


NOTES: UNLESS OTHERWISE SPECIFIED

1. INTERPRET DRAWING IN ACCORDANCE WITH APPLICABLE CABLE STANDARDS PRESCRIBED BY MIL-D-1000 AND MICRODOT PROCEDURE BULLETIN 34-3.
2. ALL METALLIC PARTS ARE GOLD PLATED PER MIL-G-45204 TYPE II, CLASS I.
3. CABLE ACCEPTANCE DIM'S - CENTER COND. .012, DIELECTRIC .034, SHIELD .054, JACKET .075.
4. MATES WITH ALL LEPRO/CON 142 LOCKING INTERFACE PLUGS.
5. SEE RF-ASHB-12 FOR CABLE ASSEMBLY INSTRUCTIONS.
6. FOR COMPONENT PARTS, SEE PARTS LIST.

REVISIONS			
SYM	DESCRIPTION	DATE	APPROVED
A	RELEASED FOR PRODUCTION (NDR 10,333)	8-15-69	[Signature]
B	REV. LETTER UP-DATED ECO 16329	4/18/73	[Signature]
C	REV. LET. UPDATE ECO 20651	2/23/76	[Signature]
D	UPDATE REV. LETTER. (40359)	7/20/80	[Signature]

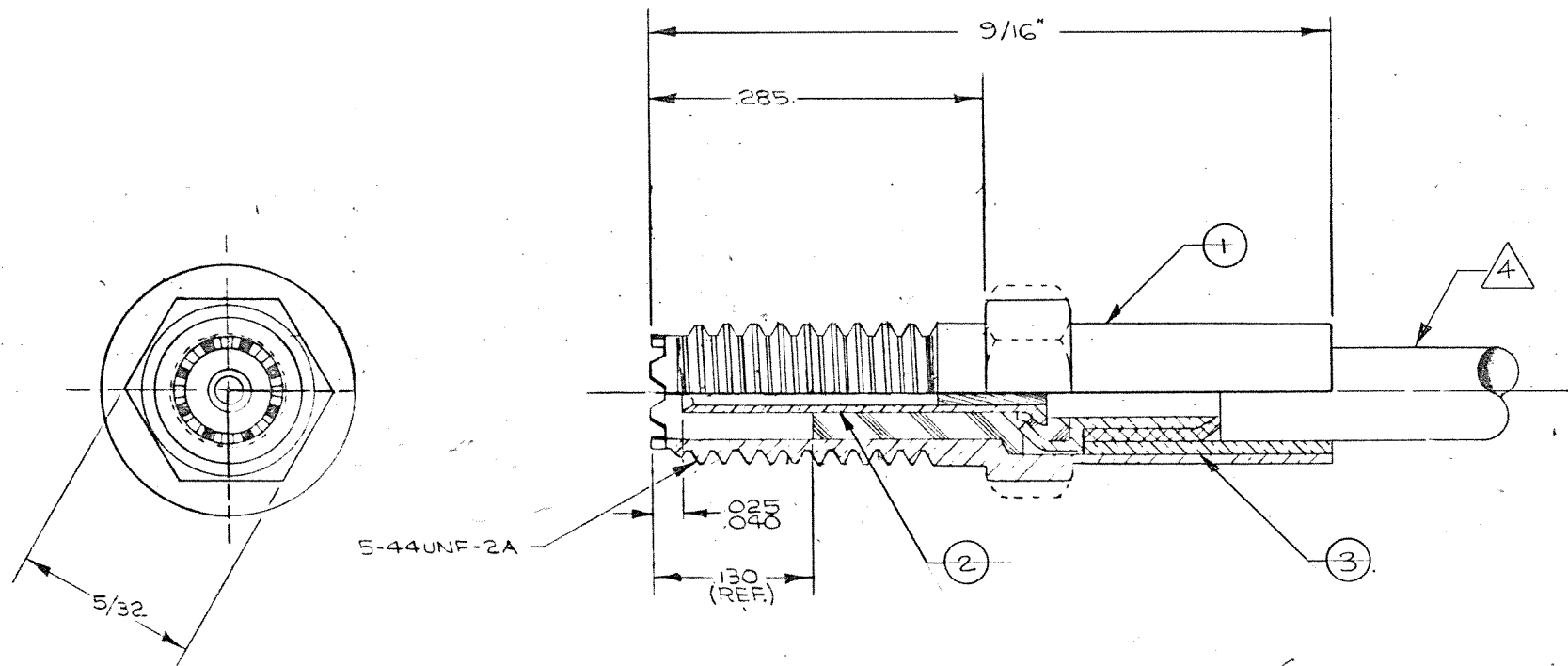


Tyco Dwg 1-1532006-7
Micro P/N 141-0017-0001

QTY. REQD.	PART NO.	NOMENCLATURE OR DESCRIPTION	MATERIAL & SPECIFICATION	ITEM NO.
LIST OF MATERIAL OR PARTS LIST				
UNLESS OTHERWISE SPEC.		DRAWN C. MCGEE 8/15/69	MICRODOT INC. 220 PASADENA AVE. SO. PASADENA, CALIF. STR. JACK ASSEMBLY WITH INTERLOCKING INTERFACE PRDD CODE 946	
DIMENSIONS ARE IN INCHES		CHECK E. Mungara 8/15/69		
TOLERANCES		PR. ENG. [Signature] 8/15/69		
DECIMALS FRACTIONS		CHK. ENG.		
.XX ± .010 ± 1/64		MATERIAL	CODE IDENT SIZE	
.XXX ± .010 ± 1/64		SURFACE TREATMENT	98278 C 141-0017-0001	
.XXXX ± .010 ± 1/64		SEE NOTE 2	SCALE WEIGHT SHEET 1 of 1	
ANGLES ± 5°				
SURFACE ROUGHNESS				
NEXT ASSY. USED ON				
NEXT ASSY. TOP ASSY.				
APPLICATION				
QUANTITY REQD.				
DO NOT SCALE THIS DWG.				

LAST NUMBER USED 5			

REVISIONS			
SYM	DESCRIPTION	DATE	APPROVED
A	RELEASED FOR PRODUCTION (NDR10638) EM	10/2/69	[Signature]
B	REV. LETTER UP-DATED ECO 16329	11/18/69	[Signature]
C	REV. LET. UPDATE ECO 20651 4416 2-23-76	2/23/76	[Signature]
D	UPDATE REV. LETTER (40359)	7/20/70	[Signature]



1-532006-7

NOTES: UNLESS OTHERWISE SPECIFIED
 1. THIS JACK ASSEMBLY MATES WITH ALL LEPRACON 142 INTERLOCKING INTERFACE PLUGS.
 2. SEE RF-ASMB-12 FOR CABLE ASSEMBLY INSTRUCTIONS.
 3. ALL METALLIC PARTS ARE GOLD PLATED PER MIL-G-45204 TYPE II, CLASS I.
 4. CABLE ACCEPTANCE DIMENSIONS:
 CENTER CONDUCTOR .012.
 DIELECTRIC .034.
 SHIELD .054.
 JACKET .075.

QTY. REQD.	PART NO.	NOMENCLATURE OR DESCRIPTION	MATERIAL & SPECIFICATION	ITEM NO.
1	014-0004-0002	CRIMP SLEEVE	LEADED COPPER FULL HARD OR O.F.H.C. 121 COPPER	3
1	014-1009-0001	SOCKET CONTACT SUBASSY		2
1	014-1085-0001	HOUSING SUBASSY, STR. JACK		1

LIST OF MATERIAL OR PARTS LIST

UNLESS OTHERWISE SPEC.	DRAWN	E. NINGURA	10-8-69
DIMENSIONS ARE IN INCHES	CHECK		
	PR. ENG.	[Signature]	10/13/69
	CHF. ENG.		
TOLERANCES	MATERIAL		
DECIMALS	SEE TAB. BLOCK		
FRACTIONS	SURFACE TREATMENT		
XX ±	3		
XXX ± .010			
XXXX ±			
ANGLES ±			
SURFACE ROUGHNESS			
√			

MICRODOT INC.
 220 PASADENA AVE. SO. PASADENA, CALIF.
 STR. JACK ASSEMBLY WITH INTERLOCKING INTERFACE LEPRACON

CODE IDENT	SIZE	
98278	C	CD 141-0017-0001
SCALE	WEIGHT	90
		SHEET 1 of 1

NEXT ASSY.	USED ON	NEXT ASSY.	TOP ASSY.
APPLICATION	QUANTITY	REQD.	DO NOT SCALE THIS DWG.

X-ON Electronics

Largest Supplier of Electrical and Electronic Components

Click to view similar products for [RF Connectors / Coaxial Connectors](#) category:

Click to view products by [TE Connectivity](#) manufacturer:

Other Similar products are found below :

[R125315120](#) [8915-1511-000](#) [89674-0827](#) [5916-1103-603](#) [0106-001-000](#) [6-0001-3](#) [6001-7071-019](#) [6002-7051-003](#) [6002-7551-202](#) [6059674-1](#) [619550-1](#) [630059-000](#) [M39012/25-0021](#) [M39012/79-3008](#) [M39030/3-01N](#) [M39030/3-03N](#) [M3933/25-29N](#) [M3933/25-36N](#) [6500-7071-046](#) [6501-1071-002](#) [M83723/72W24576](#) [M83723/72W2457N](#) [6769](#) [CX050L2AQ](#) [7002-1541-010](#) [7002-1572-002](#) [7003-1572-002](#) [7004-1512-000](#) [7009-1511-004](#) [7010-1511-000](#) [7029-1511-060](#) [7101-1541-010](#) [7101-1571-002](#) [7105-1521-002](#) [7145-1521-002](#) [7209-1511-011](#) [7210-1511-012](#) [7210-1511-015](#) [7210-1511-019](#) [7210-1511-040](#) [7225-1512-050](#) [7242-1511-000](#) [73137-5015](#) [73251-0111](#) [73251-0672](#) [73276-1501](#) [73366-0013](#) [73404-2300](#) [73413-6080](#) [734151610](#)