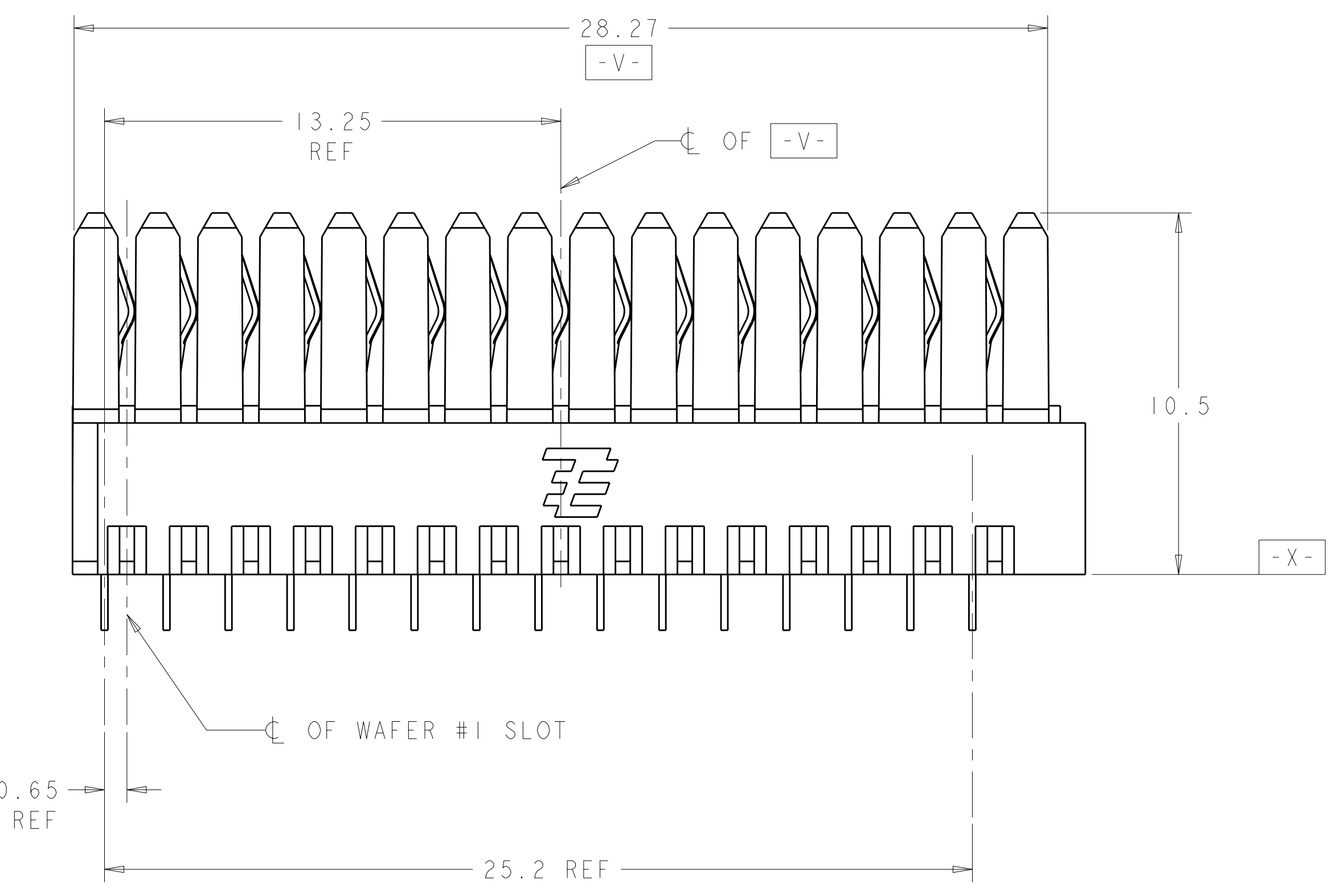
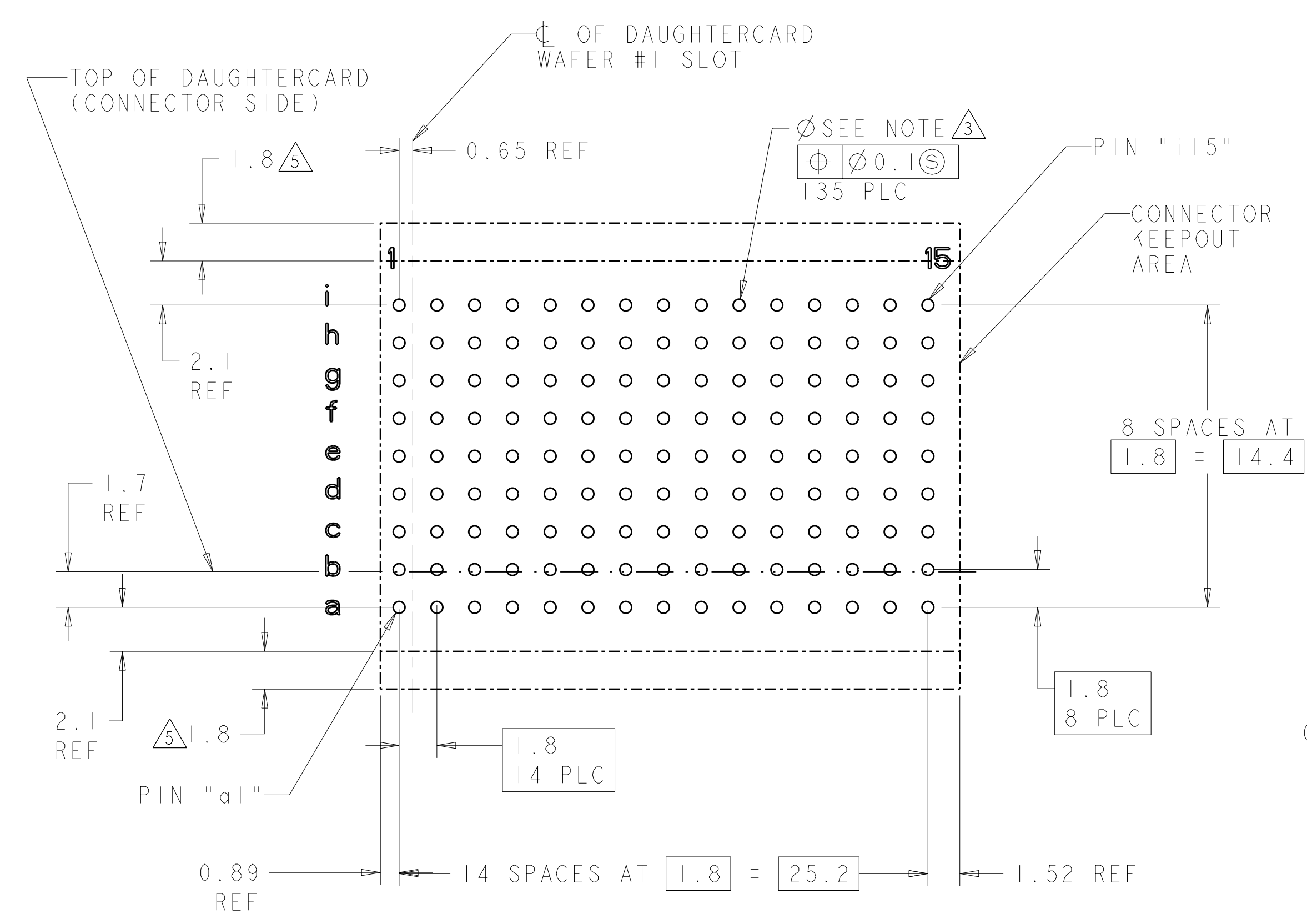
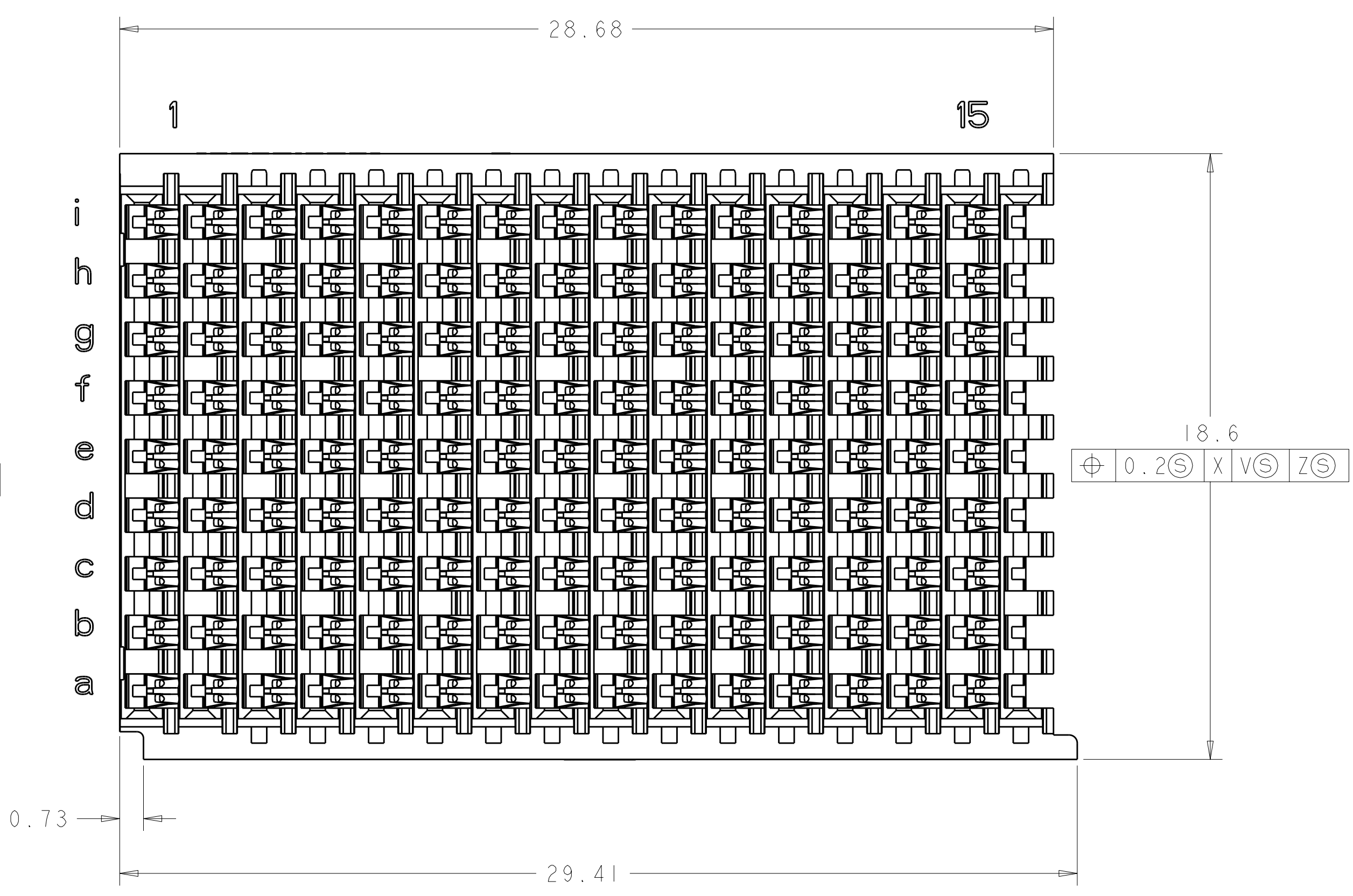
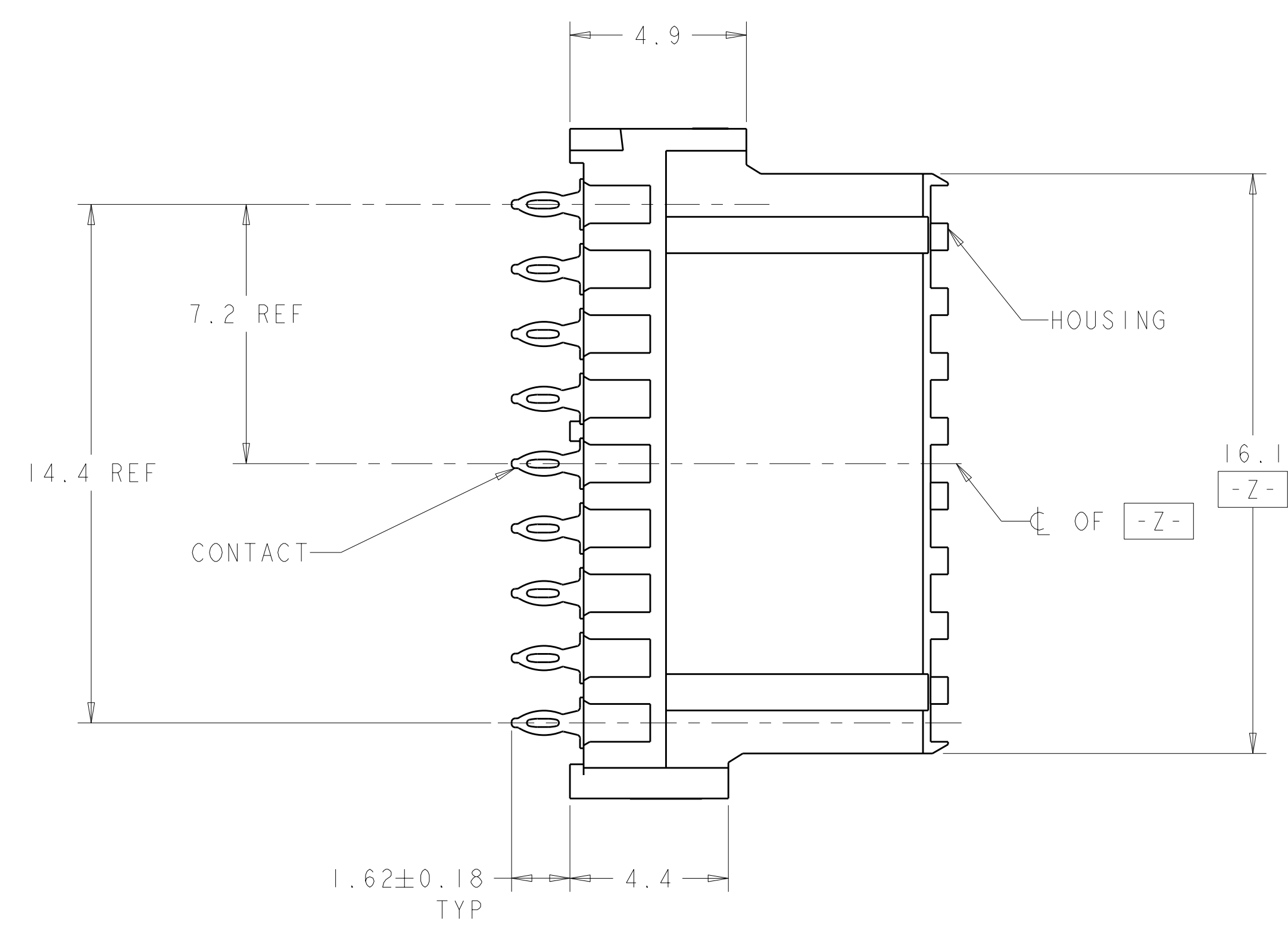


LOC	DIST	REV	DATE	BY	APPD
GP	00	B	08SEP2011	HMR	AS

- △ HOUSING: LCP, UL94V0, COLOR: BLACK. CONTACT: PHOSPHOR BRONZE.
- △ FINISH: 1.27µm GOLD IN CONTACT AREA 1.27µm MIN. TIN-LEAD ON PCB TAIL OVER 3.81µm MIN. NICKEL OVER ALL.
- △ MANUFACTURING TOLERANCE FOR  $\varnothing 0.56 \pm 0.05$  DIAMETER FINISHED HOLE WITH Sn /PB PLATING:  
 DRILLED HOLE =  $\varnothing 0.65 \pm 0.02$   
 COPPER PLATING = 0.025-0.050  
 Sn PB PLATING = 0.0038-0.0124  
 OR  
 MANUFACTURING TOLERANCE FOR  $\varnothing 0.575 \pm 0.05$  DIAMETER FINISHED HOLE WITHOUT Sn /PB PLATING:  
 DRILLED HOLE =  $\varnothing 0.65 \pm 0.02$   
 COPPER PLATING = 0.025-0.050
- △ FINISH: 1.27µm GOLD IN CONTACT AREA 1.27µm MIN TIN ON PCB TAIL OVER 3.81µm MIN NICKEL OVER ALL.
- △ ADDITIONAL CONNECTOR-SIDE KEEPOUT AREA REQUIRED IF CONNECTOR-SIDE EXTRACTION TOOL IS TO BE USED.



PC BOARD LAYOUT (CONNECTOR SIDE) SCALE 5:1

△ 4	1410135-2
△ 2	1410135-1
PLATING	PART NO

THIS DRAWING IS A CONTROLLED DOCUMENT.

DIMENSIONS:	TOLERANCES UNLESS OTHERWISE SPECIFIED:	DWN	15OCT2002
mm	9 PLC ±	CHK	15OCT2002
	1 PLC ±0.5	J	CONSOL I
	3 PLC ±0.13	APVD	15OCT2002
	5 PLC ±	J	CONSOL I
	4 PLC ±	PRODUCT SPEC	108-2072
	ANGLES ±1°	APPLICATION SPEC	114-13056
MATERIAL:	FINISH:	SIZE	CAGE CODE
△	△	114-13056	1410135
		WEIGHT	
		CUSTOMER DRAWING	

TE Connectivity  
 CONNECTOR ASSEMBLY, BACKPLANE VERTICAL RECEPTACLE, CENTER, VITA 41 20.3mm, MultiGig RT 2

SCALE 8:1 SHEET 1 OF 1 REV B

## X-ON Electronics

Largest Supplier of Electrical and Electronic Components

*Click to view similar products for [High Speed/Modular Connectors](#) category:*

*Click to view products by [TE Connectivity](#) manufacturer:*

Other Similar products are found below :

[650827-1](#) [74040-1346](#) [1410191-1](#) [1410368-3](#) [1410964-2](#) [1410326-3](#) [1410367-3](#) [1410971-4](#) [1467833-1](#) [2000877-1](#) [2000878-1](#) [2041314-1](#)  
[2065387-1](#) [2187307-1](#) [163P](#) [1934290-1](#) [2000875-1](#) [2065917-1](#) [2102736-2](#) [FSR-40](#) [2169868-2](#) [22354-8](#) [437-5040-000](#) [5-1393565-0](#) [039-](#)  
[0246-000](#) [0740618502](#) [0761601016](#) [0784461022](#) [10123159-12ELF](#) [030-2415-003/100 PK](#) [030-7380-004](#) [030-2494-001](#) [532939-1](#) [5532901-](#)  
[3](#) [3-1469268-7](#) [74748-102LF](#) [10041743-101LF](#) [10066670-100002LF](#) [1-533915-1](#) [249-4515-000](#) [7-1469373-3](#) [DL2-2J/S](#) [2000713-8](#)  
[2000713-7](#) [10124313-101LF](#) [3011-21](#) [757105208](#) [EBTF-4-10-2.0-S-RA-1](#) [430305-001](#) [4395800100](#)