

LOC	DIST	REV	DATE	BY	CHKD	APVD
GP	00	B1	11MAR2011	RK	HMR	

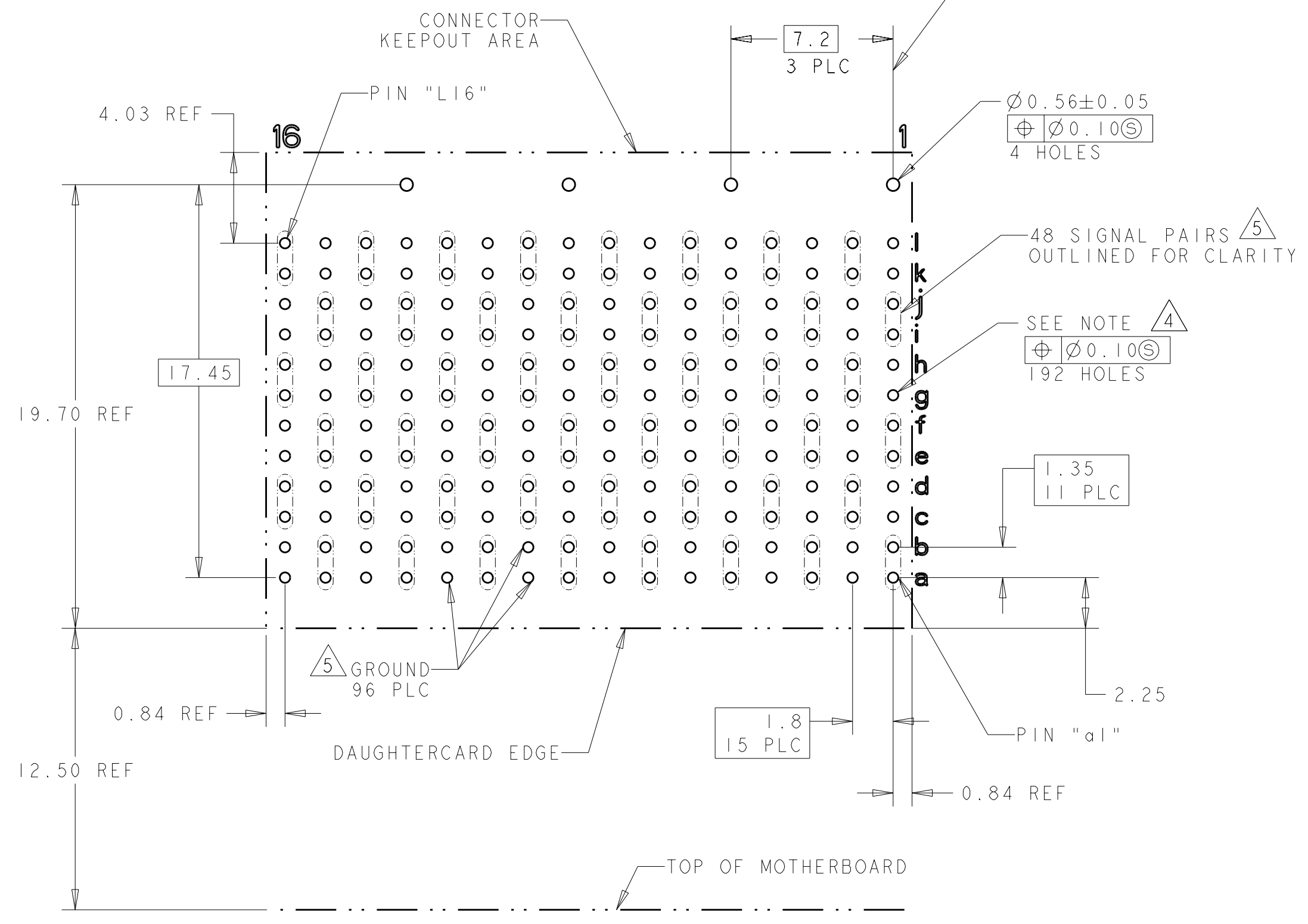
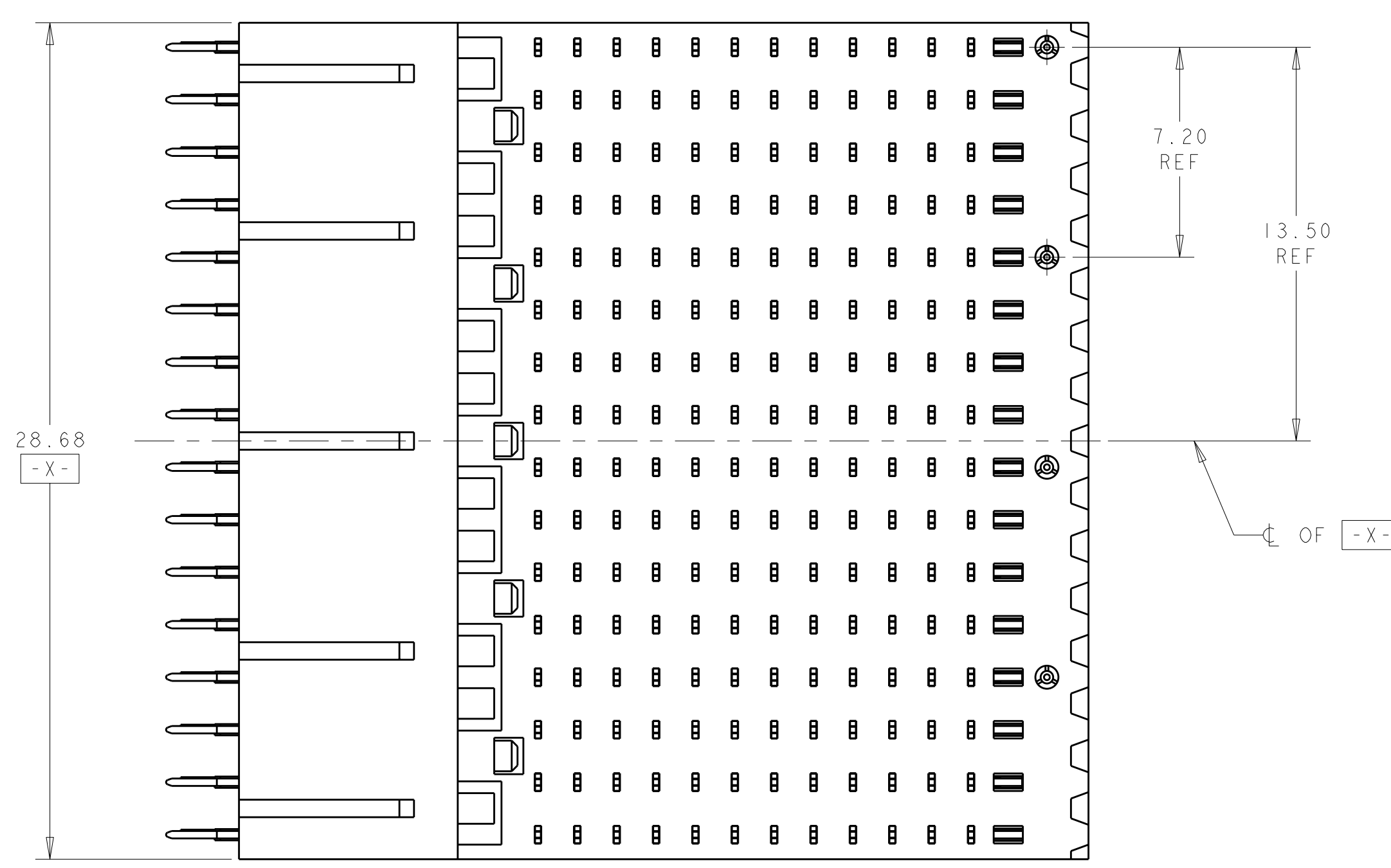
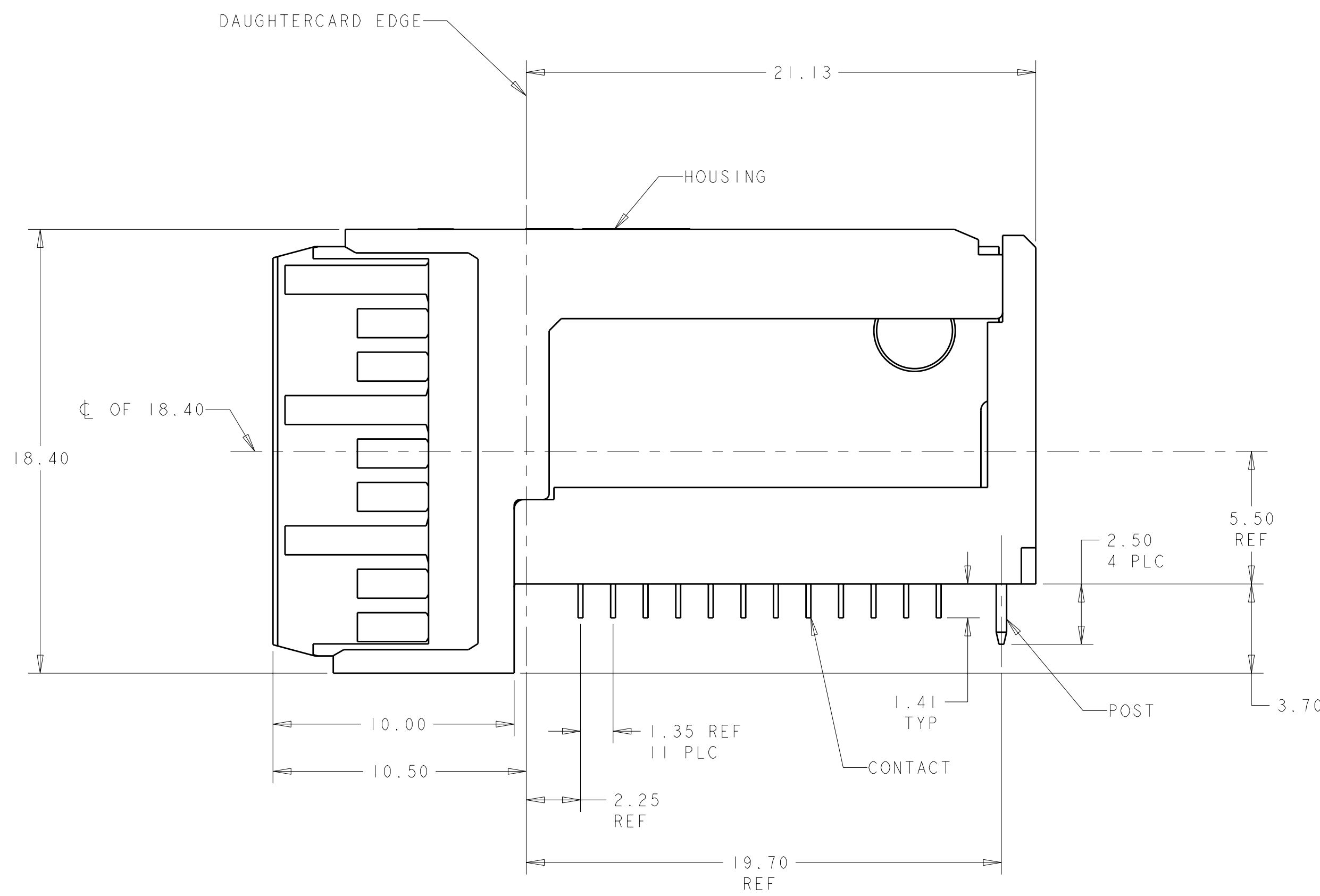
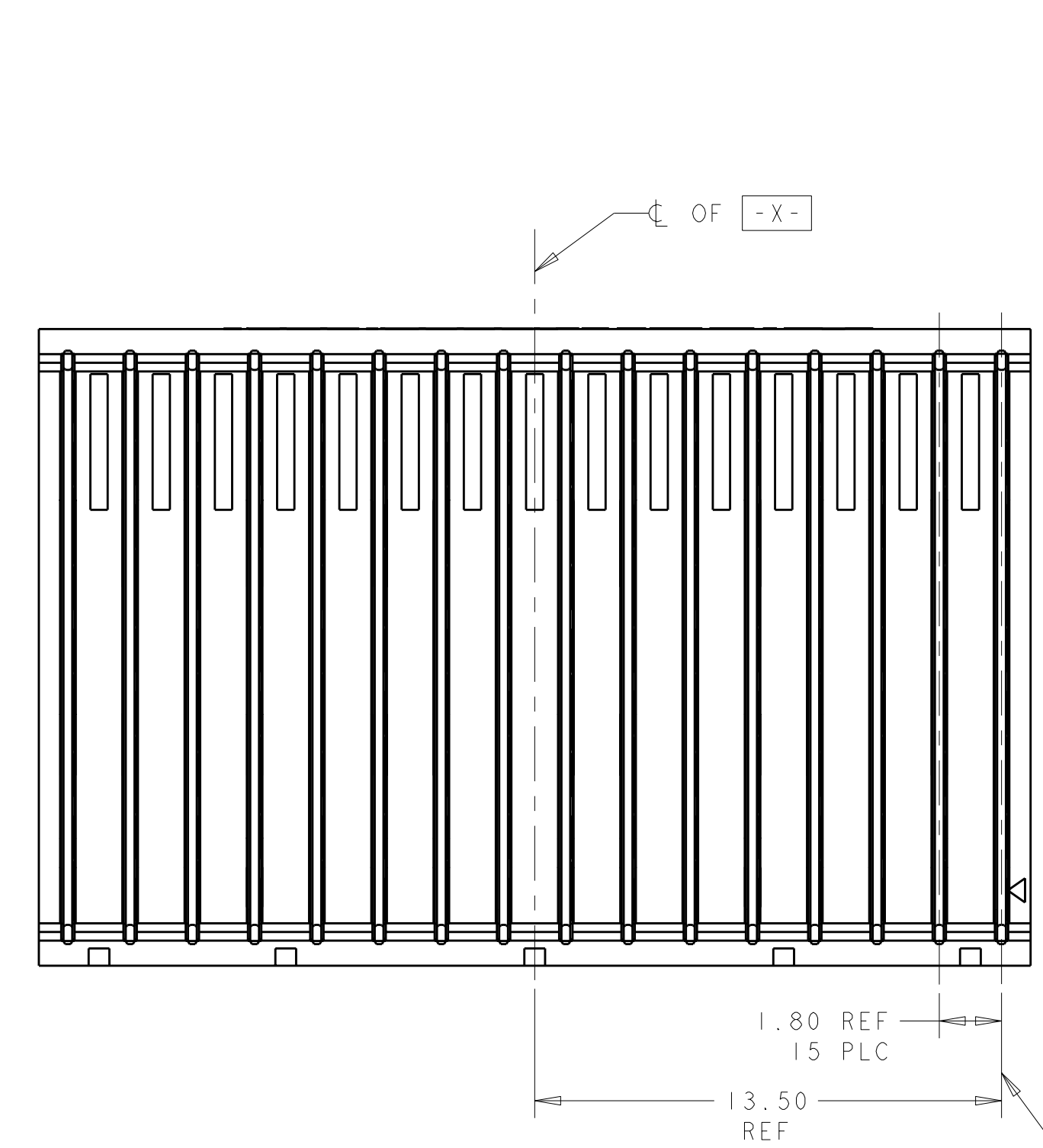
- 1 HOUSING: LCP, UL94V0, COLOR: BLACK.  
CONTACT: PHOSPHOR BRONZE.  
POST: BRASS WIRE
- 2 CONTACT: 0.76µm MIN GOLD IN CONTACT AREA.  
1.27µm MIN. TIN-LEAD ON PCB TAIL  
OVER 1.27µm MIN. NICKEL OVER ALL.  
POST: 1.27µm MIN NICKEL PLATED.
- 3 CONTACT: 0.76µm MIN GOLD IN CONTACT AREA.  
1.27µm MIN. TIN ON PCB TAIL  
OVER 1.27µm MIN. NICKEL OVER ALL.  
POST: 1.27µm MIN NICKEL PLATED.
- 4 MANUFACTURING TOLERANCE FOR:  
Ø0.46±0.05 FINISHED HOLE WITH Sn PB PLATING:  
DRILLED HOLE = Ø0.55±0.02  
COPPER PLATING = 0.025-0.050  
Sn PB PLATING = 0.0038-0.0124  
OR  
Ø0.475±0.05 FINISHED HOLE WITHOUT Sn PB PLATING:  
DRILLED HOLE = Ø0.55±0.02  
COPPER PLATING = 0.025-0.050
- 5 SEE TABLE 1 FOR INTERCONNECTIONS TO BACKPLANE CONNECTOR.

TABLE 1  
INTERCONNECTIONS WITH BACKPLANE CONNECTOR 1410140

TYPICAL INTERCONNECTIONS FOR EACH EVEN-NUMBERED COLUMN (WAFER): 2, 4, 6, 8, 10, 12, 14, 16		
CONTACT USAGE	DAUGHTERCARD CONNECTOR PIN	BACKPLANE CONNECTOR PIN
SIGNAL PAIR	c x	b x
	d x	c x
SIGNAL PAIR	g x	e x
	h x	f x
SIGNAL PAIR	k x	h x
	l x	i x
GROUPS	a x, b x, e x, f x, i x, j x (ALL COMMONED)	a x, d x, g x

TYPICAL INTERCONNECTIONS FOR EACH ODD-NUMBERED COLUMN (WAFER): 1, 3, 5, 7, 9, 11, 13, 15		
CONTACT USAGE	DAUGHTERCARD CONNECTOR PIN	BACKPLANE CONNECTOR PIN
SIGNAL PAIR	a x	a x
	b x	b x
SIGNAL PAIR	e x	d x
	f x	e x
SIGNAL PAIR	i x	g x
	j x	h x
GROUPS	c x, d x, g x, h x, k x, l x (ALL COMMONED)	c x, f x, i x

NOTE: "x" DESIGNATES THE COLUMN NUMBER



PC BOARD LAYOUT (CONNECTOR SIDE)  
SCALE 5:1

1410137-2	1410137-1
PLATING	PART NO

THIS DRAWING IS A CONTROLLED DOCUMENT.		OWN: R. TREA 05NOV2002	1410137-2	
DIMENSIONS: mm		CHK: J. CONSOLI 18NOV2002	1410137-1	
TOLERANCES UNLESS OTHERWISE SPECIFIED:		APVD: G. GRIFFITH 14MAR2006	PART NO	
Ø	±0.13	NAME: G. GRIFFITH	TE Connectivity	
PLC	±0.5	PRODUCT SPEC: 108-2072	RIGHT-ANGLE PLUG ASSEMBLY	
PLC	±0.13	APPLICATION SPEC: 114-13056	CENTER, 20.3mm, MultiGig RT2,	
PLC	±0.13	SIZE: 114-13056	DIFFERENTIAL, DAUGHTERCARD CONNECTOR	
PLC	±0.13	WEIGHT: -	RESTRICTED TO	
ANGLES	±1°	FINISH: -	A100779C=1410137	
FINISH	SEE TABLE	CUSTOMER DRAWING	SCALE 5:1 SHEET 1 OF 1 REV B1	

## X-ON Electronics

Largest Supplier of Electrical and Electronic Components

*Click to view similar products for [High Speed/Modular Connectors](#) category:*

*Click to view products by [TE Connectivity](#) manufacturer:*

Other Similar products are found below :

[650827-1](#) [74040-1346](#) [1410191-1](#) [1410368-3](#) [1410964-2](#) [1410326-3](#) [1410367-3](#) [1410971-4](#) [1467833-1](#) [2000877-1](#) [2000878-1](#) [2041314-1](#)  
[2065387-1](#) [2187307-1](#) [163P](#) [1934290-1](#) [2000875-1](#) [2065917-1](#) [2102736-2](#) [FSR-40](#) [2169868-2](#) [22354-8](#) [437-5040-000](#) [5-1393565-0](#) [039-](#)  
[0246-000](#) [0761601016](#) [0784461022](#) [10123159-12ELF](#) [030-2415-003/100 PK](#) [030-7380-004](#) [030-2494-001](#) [532939-1](#) [5532901-3](#) [3-1469268-](#)  
[7](#) [74748-102LF](#) [73670-0247](#) [10041743-101LF](#) [10066670-100002LF](#) [1-533915-1](#) [249-4515-000](#) [7-1469373-3](#) [DL2-2J/S](#) [2000713-8](#)  
[2000713-7](#) [10124313-101LF](#) [3011-21](#) [757105208](#) [EBTF-4-10-2.0-S-RA-1](#) [430305-001](#) [4395800100](#)