

| LOC | DIST | REV | DATE      | BY | CHKD | APVD |
|-----|------|-----|-----------|----|------|------|
| GP  | 00   | B1  | 11MAR2011 | RK | HMR  |      |

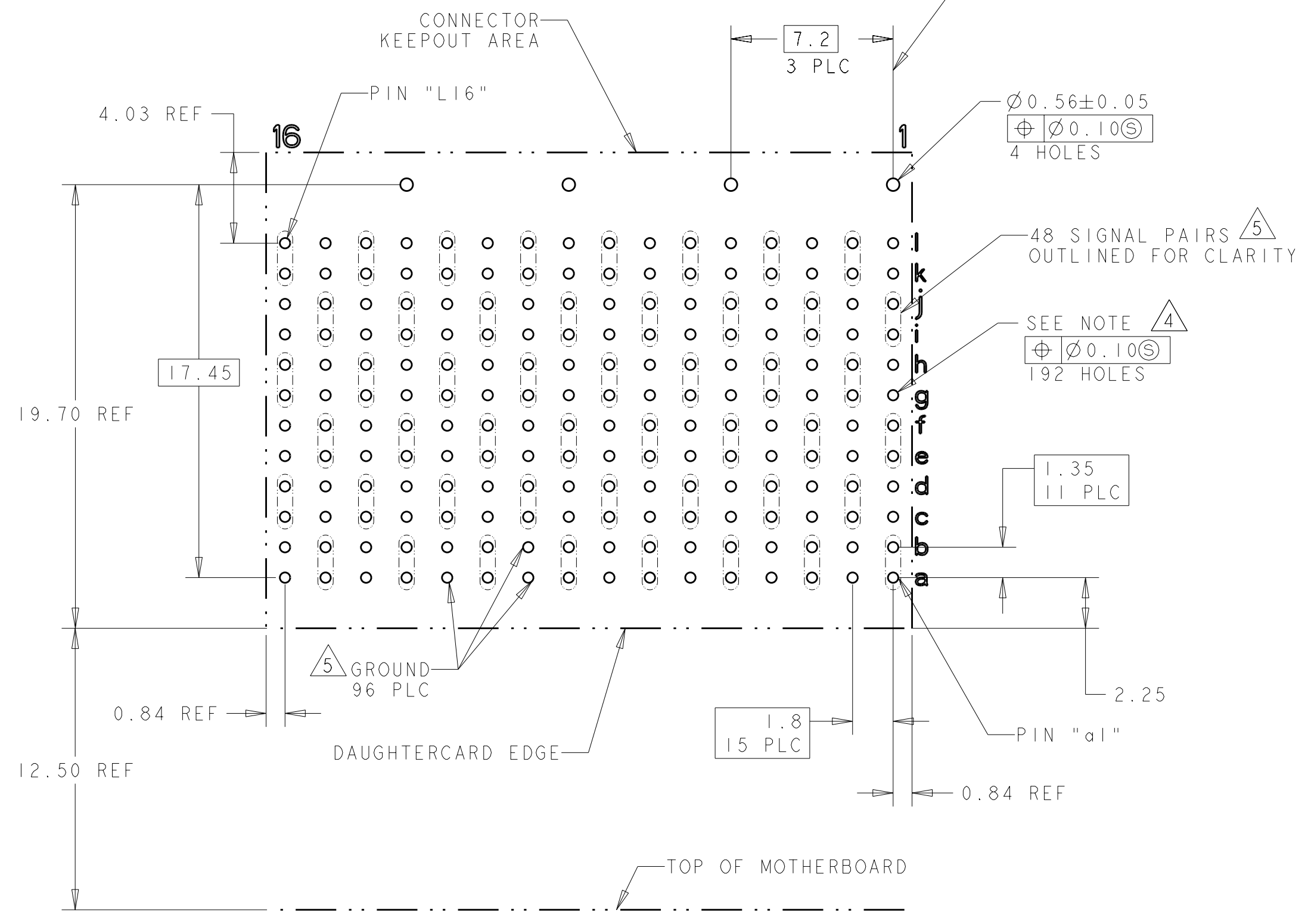
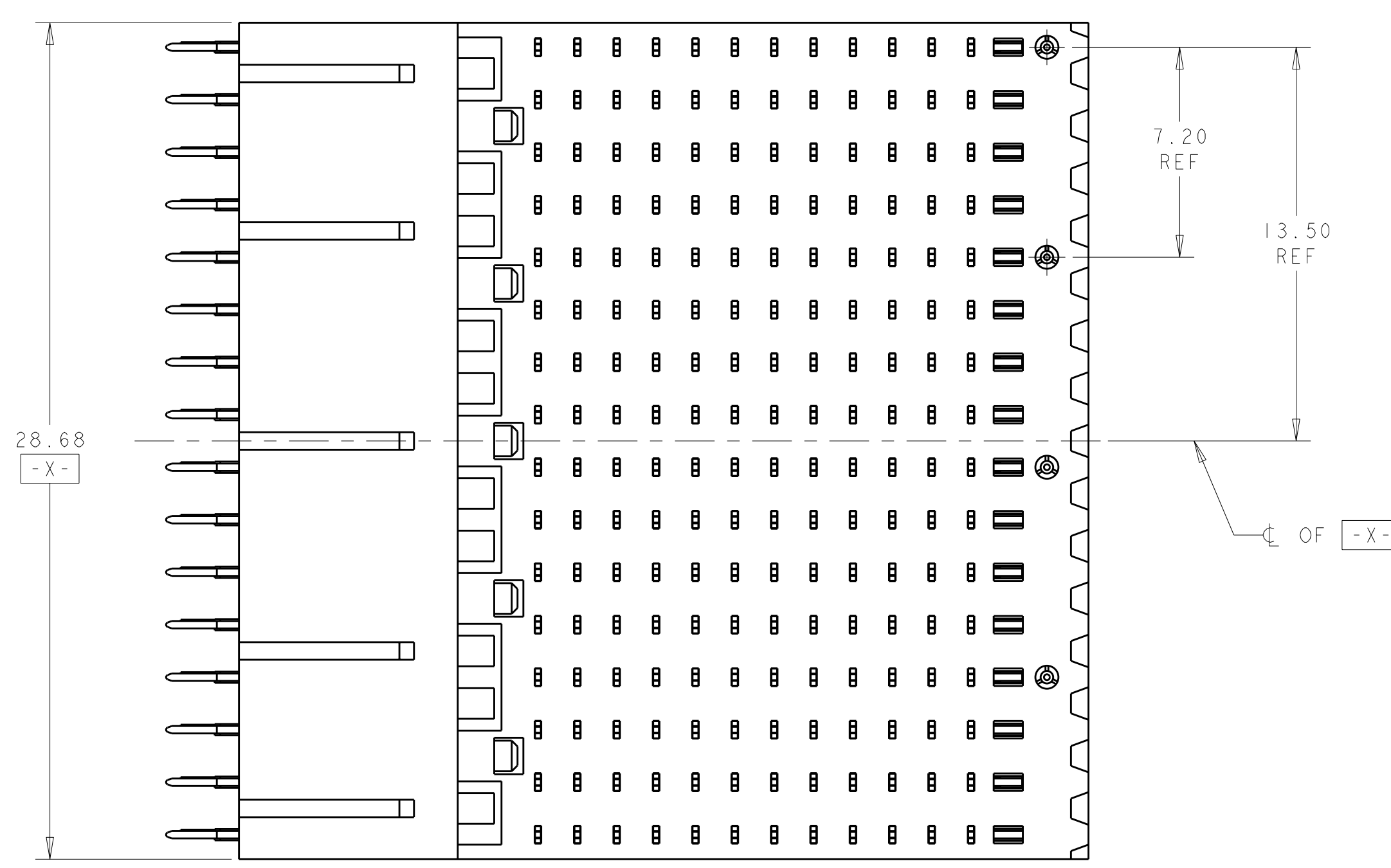
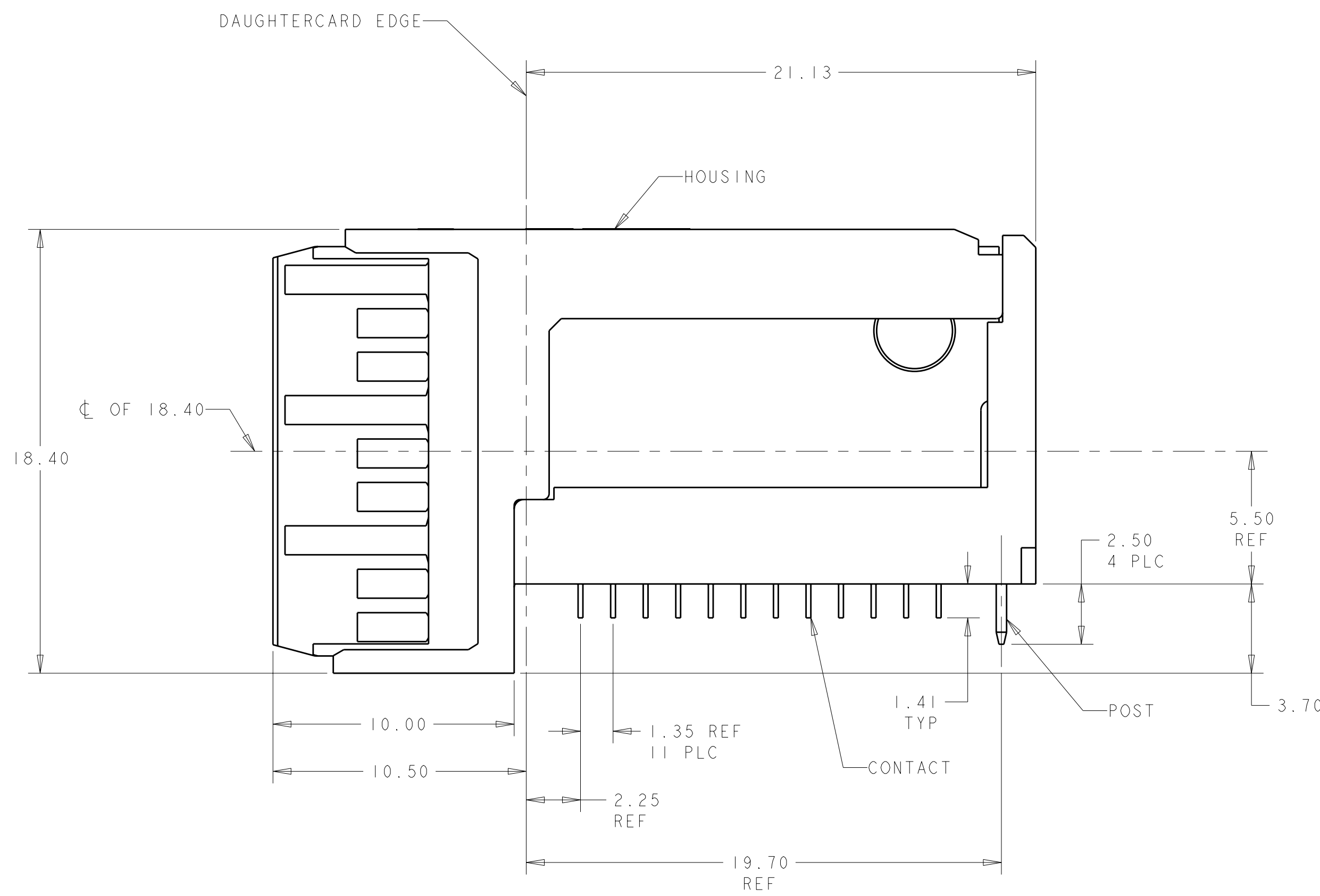
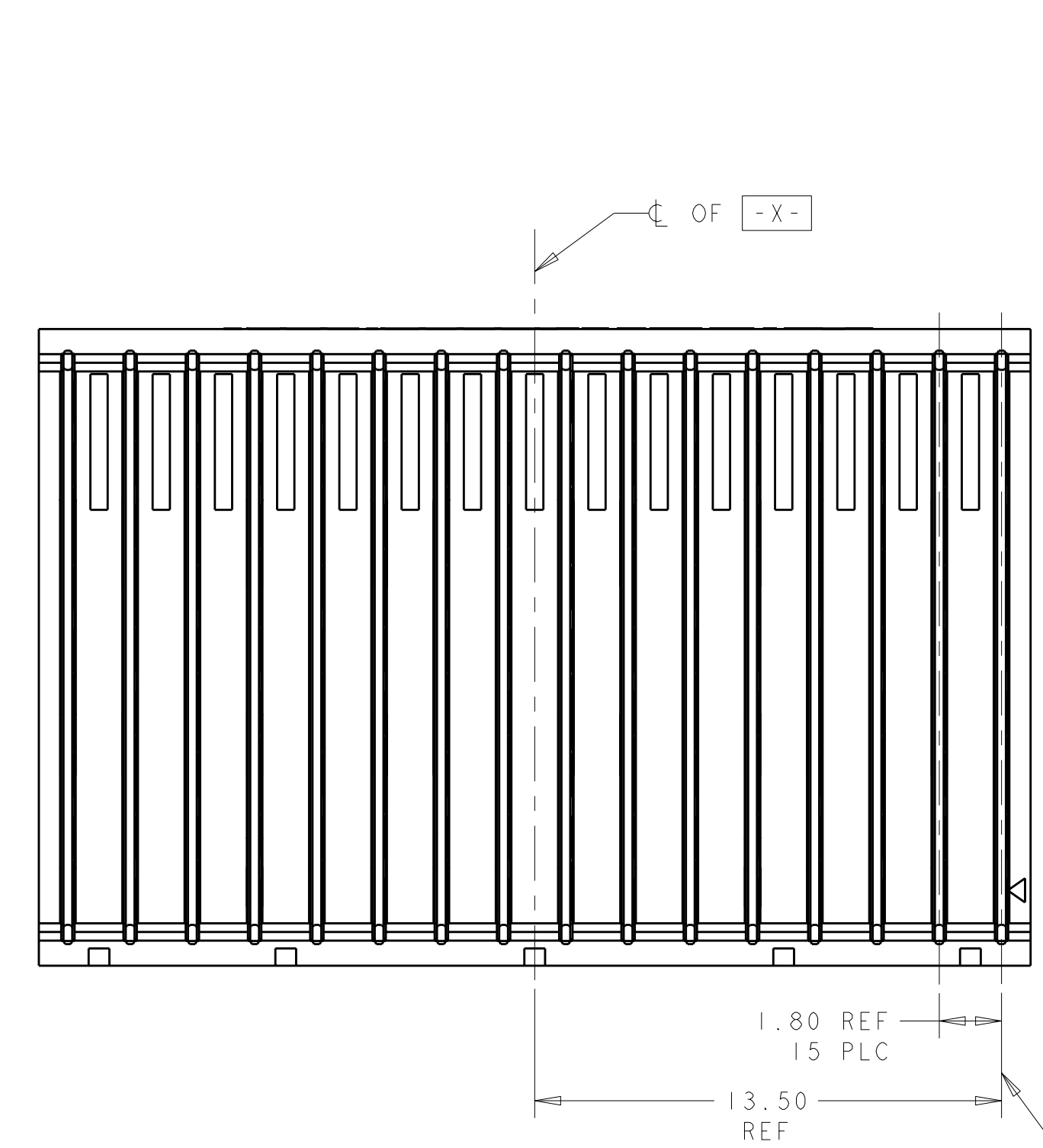
- 1 HOUSING: LCP, UL94V0, COLOR: BLACK.  
CONTACT: PHOSPHOR BRONZE.  
POST: BRASS WIRE
- 2 CONTACT: 0.76µm MIN GOLD IN CONTACT AREA.  
1.27µm MIN. TIN-LEAD ON PCB TAIL  
OVER 1.27µm MIN. NICKEL OVER ALL.  
POST: 1.27µm MIN NICKEL PLATED.
- 3 CONTACT: 0.76µm MIN GOLD IN CONTACT AREA.  
1.27µm MIN. TIN ON PCB TAIL  
OVER 1.27µm MIN. NICKEL OVER ALL.  
POST: 1.27µm MIN NICKEL PLATED.
- 4 MANUFACTURING TOLERANCE FOR:  
Ø0.46±0.05 FINISHED HOLE WITH Sn PB PLATING:  
DRILLED HOLE = Ø0.55±0.02  
COPPER PLATING = 0.025-0.050  
Sn PB PLATING = 0.0038-0.0124  
OR  
Ø0.475±0.05 FINISHED HOLE WITHOUT Sn PB PLATING:  
DRILLED HOLE = Ø0.55±0.02  
COPPER PLATING = 0.025-0.050
- 5 SEE TABLE 1 FOR INTERCONNECTIONS TO  
BACKPLANE CONNECTOR.

TABLE 1  
INTERCONNECTIONS WITH BACKPLANE CONNECTOR 1410140

| TYPICAL INTERCONNECTIONS FOR EACH EVEN-NUMBERED COLUMN (WAFER): 2, 4, 6, 8, 10, 12, 14, 16 |                                       |                         |
|--|---------------------------------------|-------------------------|
| CONTACT USAGE  | DAUGHTERCARD CONNECTOR PIN            | BACKPLANE CONNECTOR PIN |
| SIGNAL PAIR  | cx                                    | bx                      |
|  | dx                                    | cx                      |
| SIGNAL PAIR  | gx                                    | ex                      |
|  | hx                                    | fx                      |
| SIGNAL PAIR  | kx                                    | hx                      |
|  | lx                                    | ix                      |
| GROUPS   | ax, bx, ex, fx, ix, jx (ALL COMMONED) | ax, dx, gx              |

| TYPICAL INTERCONNECTIONS FOR EACH ODD-NUMBERED COLUMN (WAFER): 1, 3, 5, 7, 9, 11, 13, 15 |                                       |                         |
|--|---------------------------------------|-------------------------|
| CONTACT USAGE  | DAUGHTERCARD CONNECTOR PIN            | BACKPLANE CONNECTOR PIN |
| SIGNAL PAIR  | ax                                    | ax                      |
|  | bx                                    | bx                      |
| SIGNAL PAIR  | ex                                    | dx                      |
|  | fx                                    | ex                      |
| SIGNAL PAIR  | ix                                    | gx                      |
|  | jx                                    | hx                      |
| GROUPS   | cx, dx, gx, hx, kx, lx (ALL COMMONED) | cx, fx, ix              |

NOTE: "x" DESIGNATES THE COLUMN NUMBER



PC BOARD LAYOUT (CONNECTOR SIDE)  
SCALE 5:1

|           |           |
|-----------|-----------|
| 1410137-2 | 1410137-1 |
| PLATING   | PART NO   |

|  |       |                             |                                      |  |
|--|-------|-----------------------------|--------------------------------------|--|
| THIS DRAWING IS A CONTROLLED DOCUMENT. |       | OWN: R. TREA 05NOV2002      | 1410137-2                            |  |
| DIMENSIONS: mm                         |       | CHK: J. CONSOLI 18NOV2002   | 1410137-1                            |  |
| TOLERANCES UNLESS OTHERWISE SPECIFIED: |       | APVD: G. GRIFFITH 14MAR2006 | PART NO                              |  |
| Ø                                      | ±0.13 | NAME: G. GRIFFITH           | TE Connectivity                      |  |
| PLC                                    | ±0.5  | PRODUCT SPEC: 108-2072      | RIGHT-ANGLE PLUG ASSEMBLY            |  |
| PLC                                    | ±0.13 | APPLICATION SPEC: 114-13056 | CENTER, 20.3mm, MultiGig RT2,        |  |
| PLC                                    | ±0.13 | SIZE: 114-13056             | DIFFERENTIAL, DAUGHTERCARD CONNECTOR |  |
| PLC                                    | ±0.13 | WEIGHT: -                   | RESTRICTED TO                        |  |
| ANGLES                                 | ±1°   | FINISH: -                   | A100779C=1410137                     |  |
| MATERIAL: -                            |       | SEE TABLE                   | CUSTOMER DRAWING                     |  |
| SCALE: 5:1                             |       | SHEET 1 OF 1 REV B1         |                                      |  |

## X-ON Electronics

Largest Supplier of Electrical and Electronic Components

*Click to view similar products for [High Speed/Modular Connectors](#) category:*

*Click to view products by [TE Connectivity](#) manufacturer:*

Other Similar products are found below :

[650827-1](#) [74040-1346](#) [1410191-1](#) [1410368-3](#) [1410964-2](#) [1410326-3](#) [1410367-3](#) [1410971-4](#) [1467833-1](#) [2000877-1](#) [2000878-1](#) [2041314-1](#)  
[2065387-1](#) [2187307-1](#) [163P](#) [1934290-1](#) [2000875-1](#) [2065917-1](#) [2102736-2](#) [FSR-40](#) [2169868-2](#) [22354-8](#) [437-5040-000](#) [5-1393565-0](#) [039-](#)  
[0246-000](#) [0761601016](#) [0784461022](#) [10123159-12ELF](#) [030-2415-003/100 PK](#) [030-7380-004](#) [030-2494-001](#) [532939-1](#) [5532901-3](#) [3-1469268-](#)  
[7](#) [74748-102LF](#) [10041743-101LF](#) [10066670-100002LF](#) [1-533915-1](#) [249-4515-000](#) [7-1469373-3](#) [DL2-2J/S](#) [2000713-8](#) [2000713-7](#)  
[10124313-101LF](#) [3011-21](#) [757105208](#) [430305-001](#) [4395800100](#) [8140115](#) [1934937-1](#)