

| LOC | DIST | REV | DATE | BY | APPD |
|-----|------|-----|-----------|----|------|
| GP | 00 | B | 02OCT2008 | BC | RP |

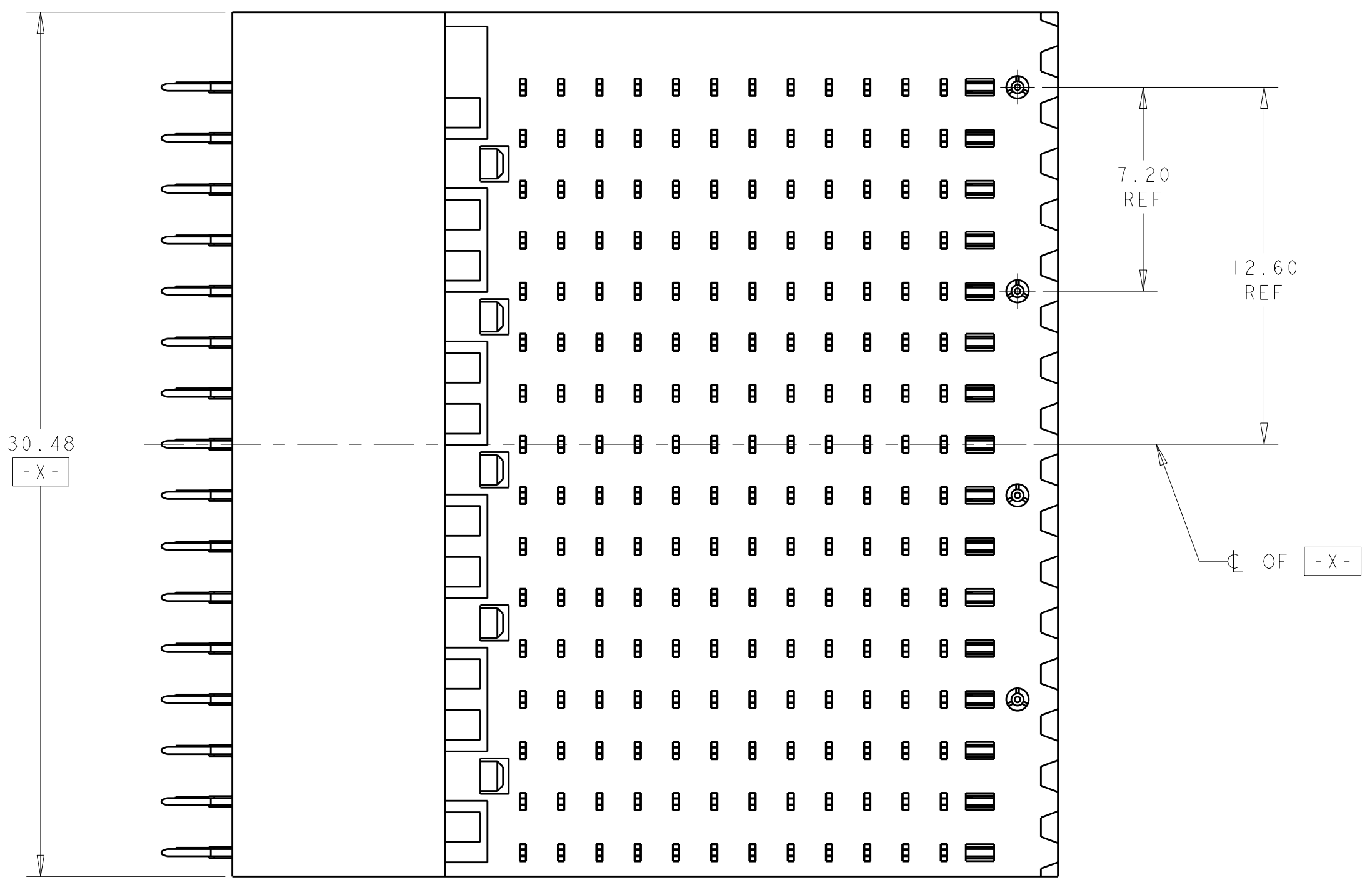
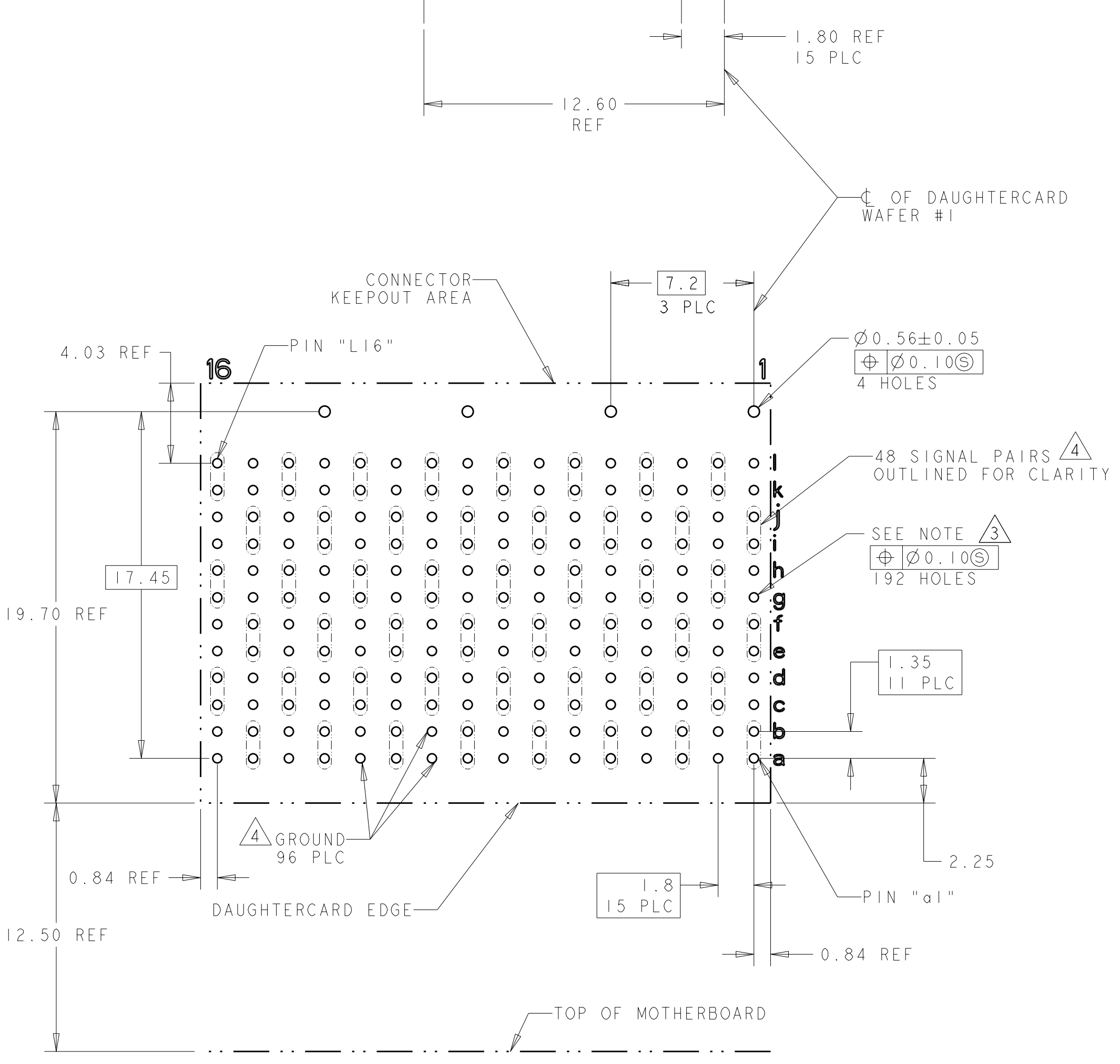
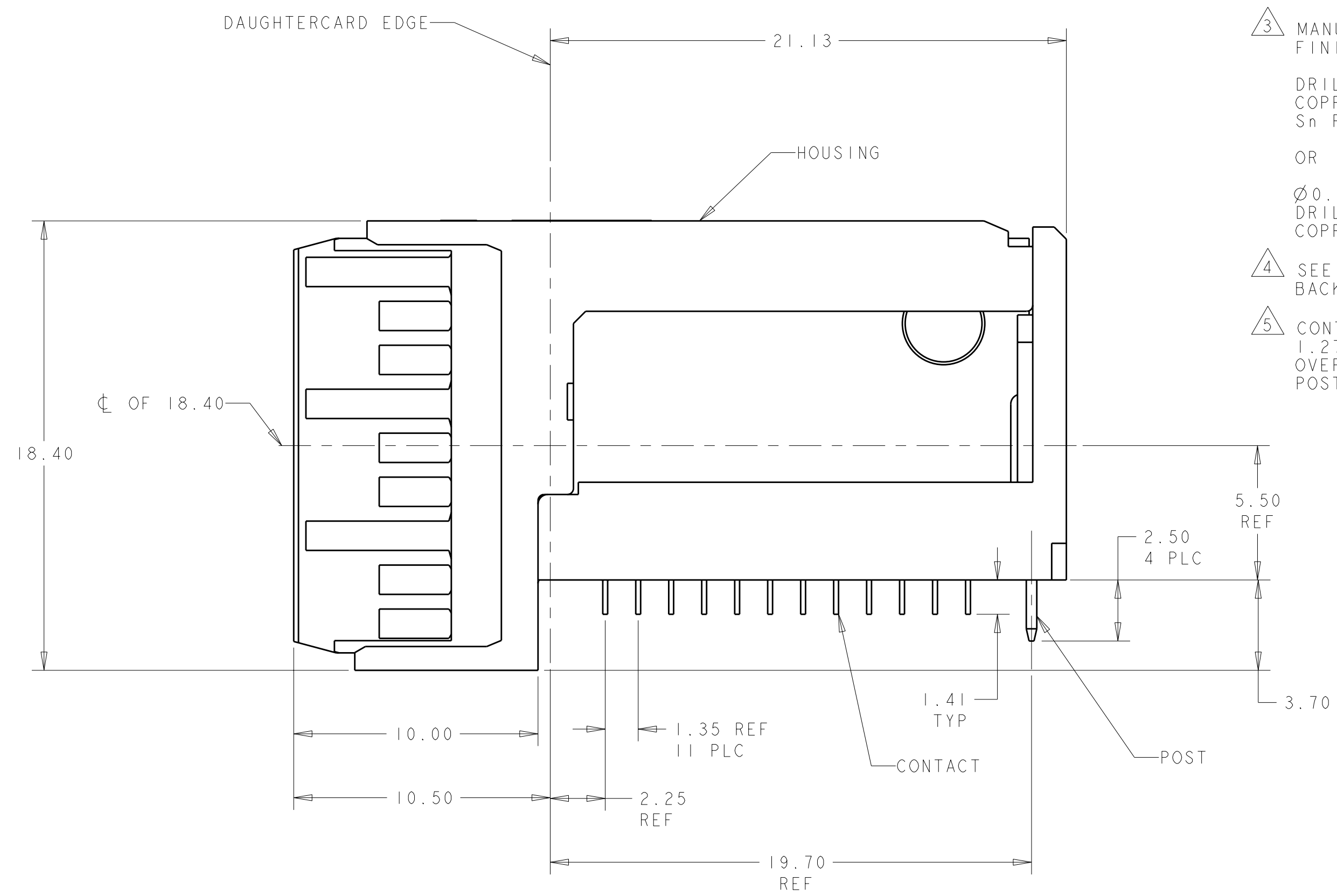
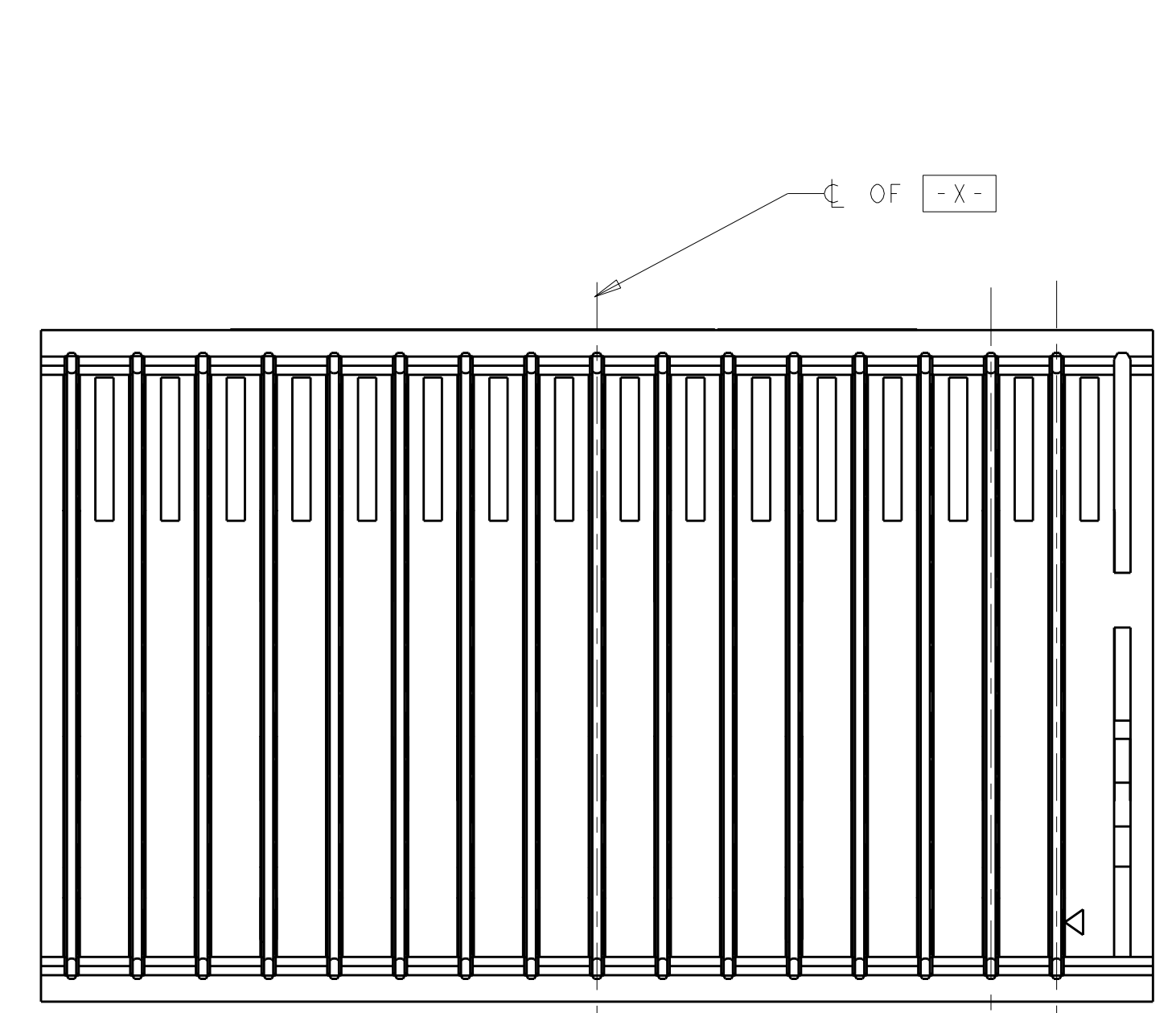
- 1 HOUSING: LCP, UL94V0, COLOR: BLACK.
CONTACT: PHOSPHOR BRONZE.
POST: BRASS WIRE
- 2 CONTACT: 0.76µm MIN GOLD IN CONTACT AREA.
1.27µm MIN. TIN-LEAD ON PCB TAIL
OVER 1.27µm MIN. NICKEL OVER ALL.
POST 1.27µm MIN NICKEL PLATED.
- 3 MANUFACTURING TOLERANCE FOR $\varnothing 0.46 \pm 0.05$
FINISHED HOLE WITH Sn Pb PLATING:
DRILLED HOLE = $\varnothing 0.55 \pm 0.02$
COPPER PLATING = 0.025-0.050
Sn Pb PLATING = 0.0038-0.0124
OR
 $\varnothing 0.475 \pm 0.05$ FINISHED HOLE WITHOUT Sn Pb PLATING:
DRILLED HOLE = $\varnothing 0.55 \pm 0.02$
COPPER PLATING = 0.025-0.050
- 4 SEE TABLE 1 FOR INTERCONNECTIONS TO
BACKPLANE CONNECTOR.
- 5 CONTACT: 0.76µm MIN GOLD IN CONTACT AREA.
1.27µm MIN. TIN ON PCB TAIL
OVER 1.27µm MIN. NICKEL OVER ALL.
POST 1.27µm MIN NICKEL PLATED.

TABLE 1
INTERCONNECTIONS WITH BACKPLANE CONNECTOR 1410141

| TYPICAL INTERCONNECTIONS FOR EACH EVEN-NUMBERED COLUMN (WAFER): 2, 4, 6, 8, 10, 12, 14, 16 | | |
|--|---|-------------------------|
| CONTACT USAGE | DAUGHTERCARD CONNECTOR PIN | BACKPLANE CONNECTOR PIN |
| SIGNAL PAIR | c x | b x |
| | d x | c x |
| SIGNAL PAIR | g x | e x |
| | h x | f x |
| SIGNAL PAIR | k x | h x |
| | l x | i x |
| GROUPS | a x, b x, e x, f x, i x, j x (ALL COMMONED) | a x, d x, g x |

| TYPICAL INTERCONNECTIONS FOR EACH ODD-NUMBERED COLUMN (WAFER): 1, 3, 5, 7, 9, 11, 13, 15 | | |
|--|---|-------------------------|
| CONTACT USAGE | DAUGHTERCARD CONNECTOR PIN | BACKPLANE CONNECTOR PIN |
| SIGNAL PAIR | a x | a x |
| | b x | b x |
| SIGNAL PAIR | e x | d x |
| | f x | e x |
| SIGNAL PAIR | i x | g x |
| | j x | h x |
| GROUPS | c x, d x, g x, h x, k x, l x (ALL COMMONED) | c x, f x, i x |

NOTE: "x" DESIGNATES THE COLUMN NUMBER



PC BOARD LAYOUT (CONNECTOR SIDE)
SCALE 5:1

| | |
|---------|-----------|
| 5 | 1410138-2 |
| 2 | 1410138-1 |
| PLATING | PART NO |

| | | | | | | | |
|--------------------|--|---|--|---|--|---|--|
| DIMENSIONS: mm | | TOLERANCES UNLESS OTHERWISE SPECIFIED: 9 PLC ± 1 PLC ±0.5 5 PLC ±0.13 4 PLC ± ANGLES ±1° | | DWN R. TREA 14NOV2002 CHK J. CONSOLI 18NOV2002 APVD G. GRIFFITH 14MAR2006 | | Tyco Electronics Harrisburg, PA 17105-3608 | |
| MATERIAL: | | FINISH: SEE TABLE | | PRODUCT SPEC: 108-2072 APPLICATION SPEC: 114-13056 | | NAME: RIGHT-ANGLE PLUG ASSEMBLY LEFT END, 20.3mm, MultiGig RT2, DAUGHTERCARD CONNECTOR, DIFFERENTIAL SIZE: A11 00779 CAGE CODE: C=1410138 | |
| CUSTOMER DRAWING | | | | WEIGHT: - SCALE: 5:1 | | SHEET 1 OF 1 REV B | |

X-ON Electronics

Largest Supplier of Electrical and Electronic Components

Click to view similar products for [High Speed/Modular Connectors](#) category:

Click to view products by [TE Connectivity](#) manufacturer:

Other Similar products are found below :

[650827-1](#) [74040-1346](#) [1410191-1](#) [1410368-3](#) [1410964-2](#) [1410326-3](#) [1410367-3](#) [1410971-4](#) [1467833-1](#) [2000877-1](#) [2000878-1](#) [2041314-1](#)
[2065387-1](#) [2187307-1](#) [163P](#) [1934290-1](#) [2000875-1](#) [2065917-1](#) [2102736-2](#) [FSR-40](#) [2169868-2](#) [22354-8](#) [437-5040-000](#) [5-1393565-0](#) [039-](#)
[0246-000](#) [0740618502](#) [0761601016](#) [0784461022](#) [10123159-12ELF](#) [030-2415-003/100 PK](#) [030-7380-004](#) [030-2494-001](#) [532939-1](#) [5532901-](#)
[3](#) [3-1469268-7](#) [74748-102LF](#) [10041743-101LF](#) [10066670-100002LF](#) [1-533915-1](#) [249-4515-000](#) [7-1469373-3](#) [DL2-2J/S](#) [2000713-8](#)
[2000713-7](#) [10124313-101LF](#) [3011-21](#) [757105208](#) [430305-001](#) [4395800100](#) [8140115](#)