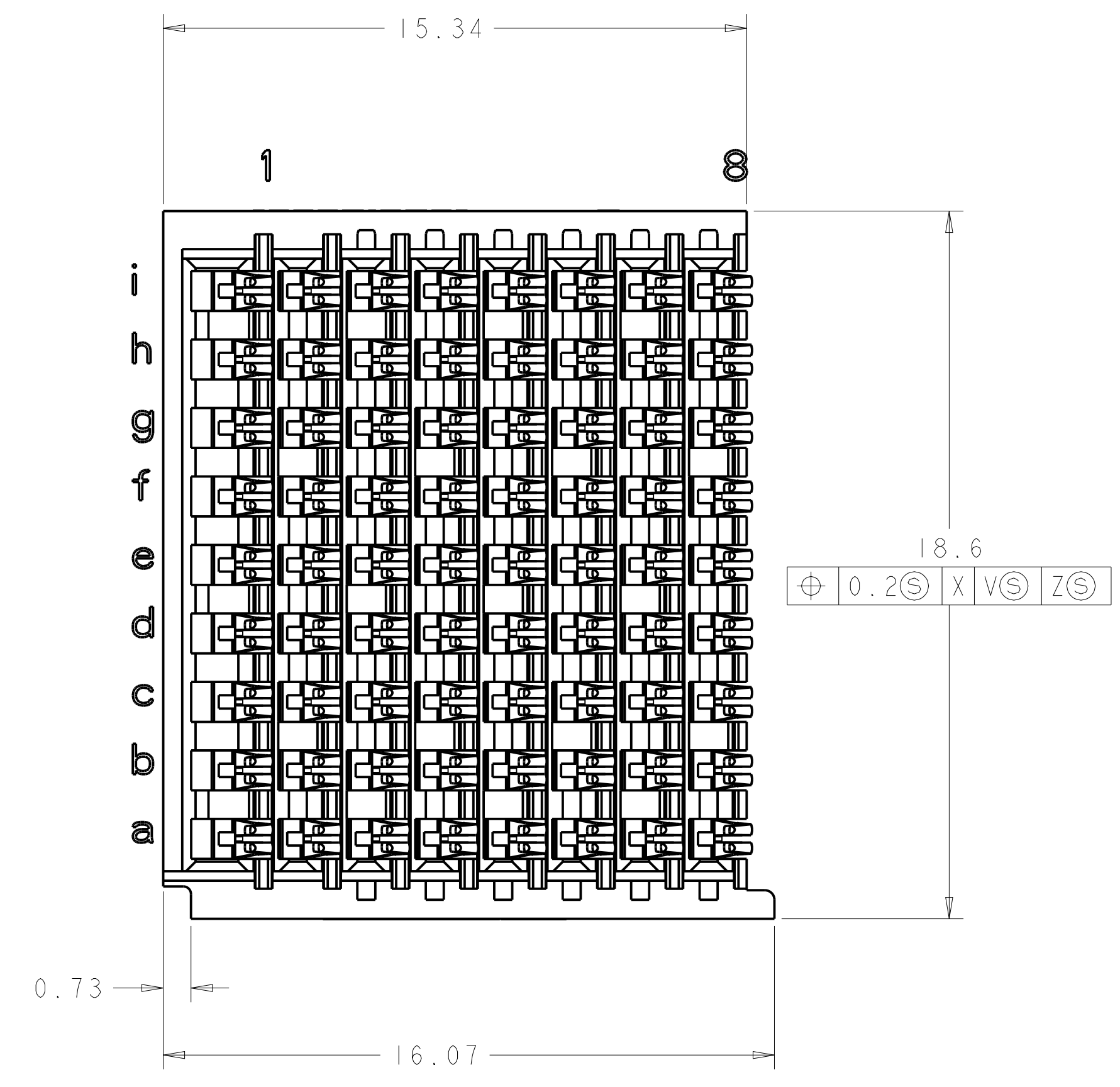
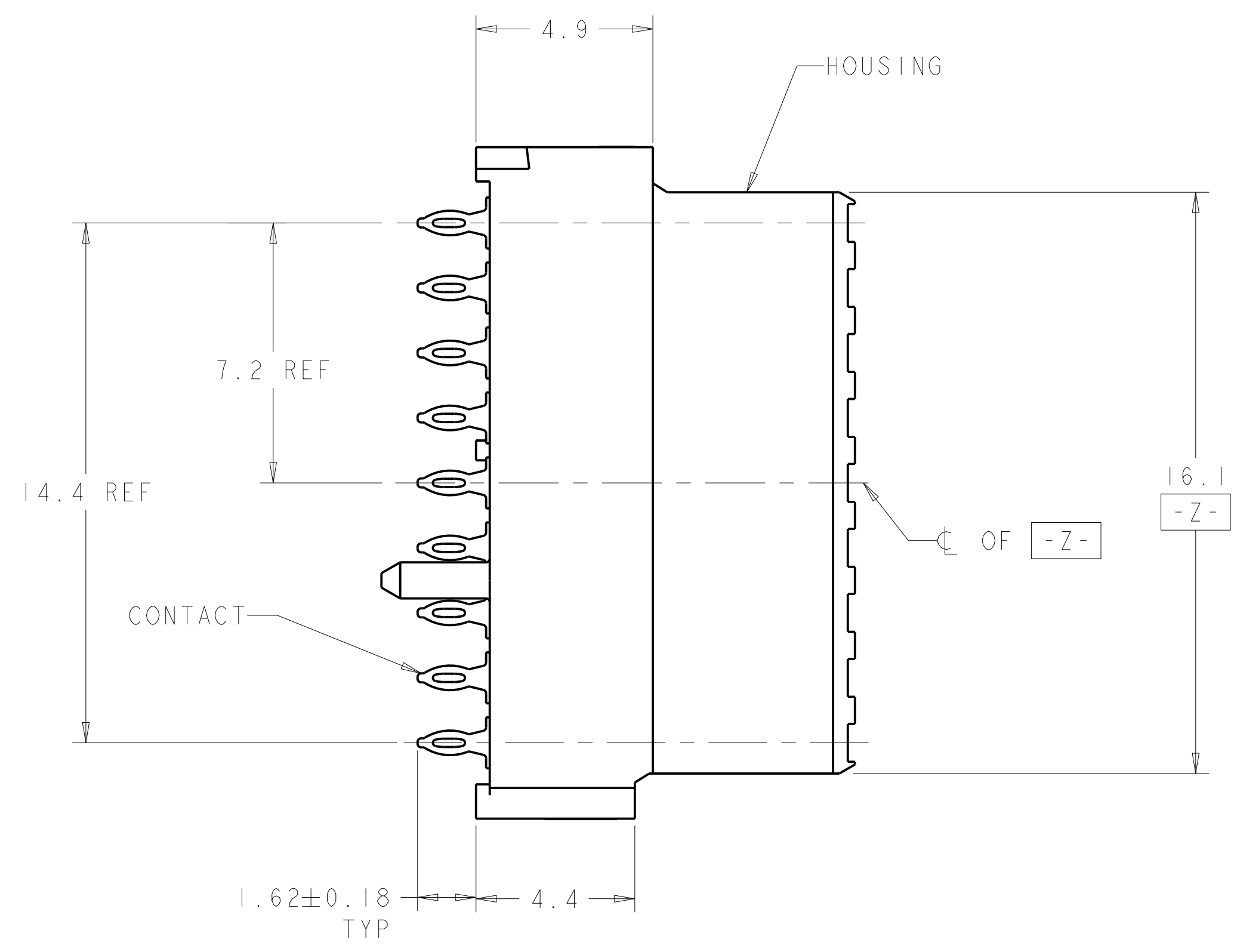
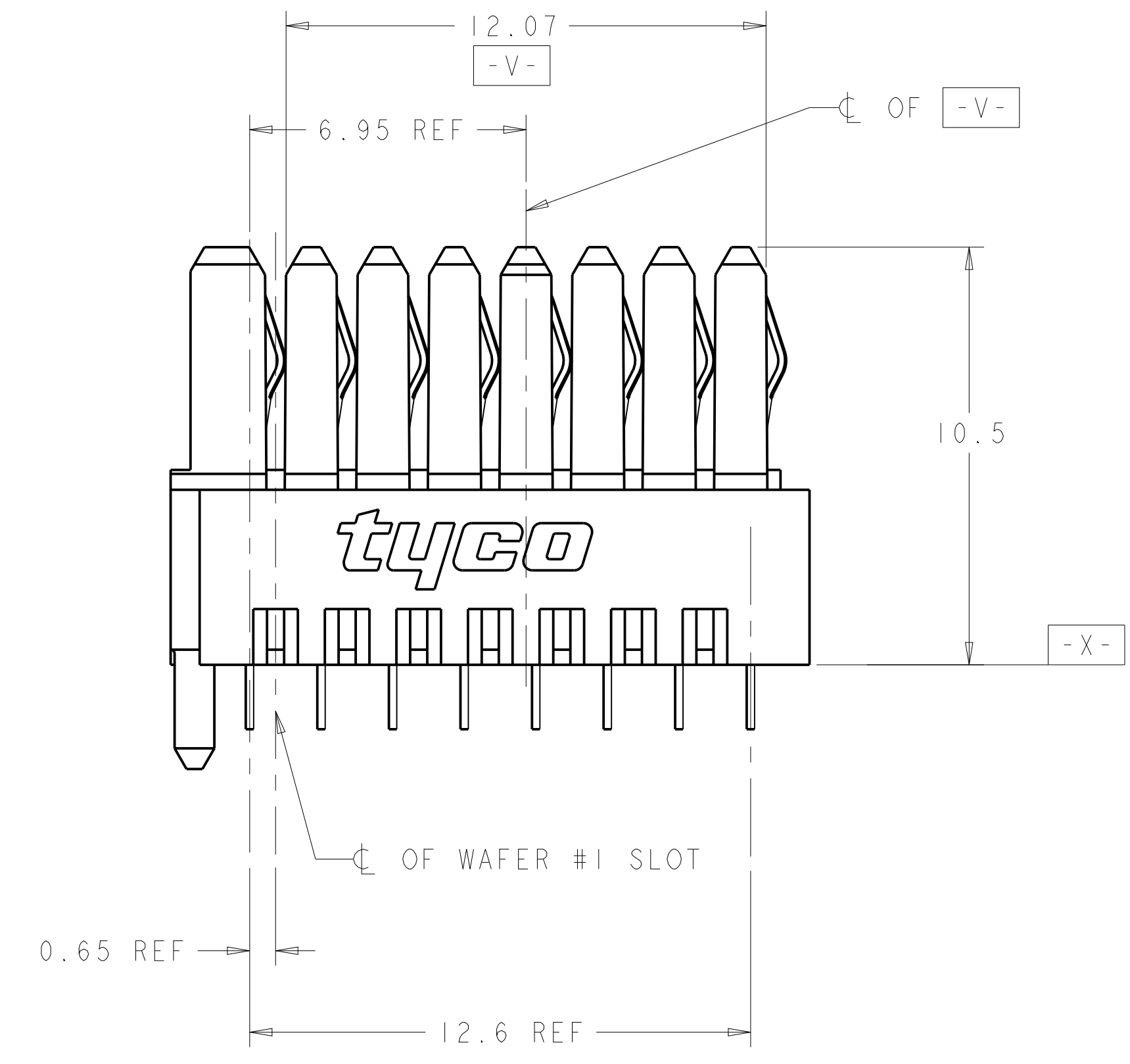
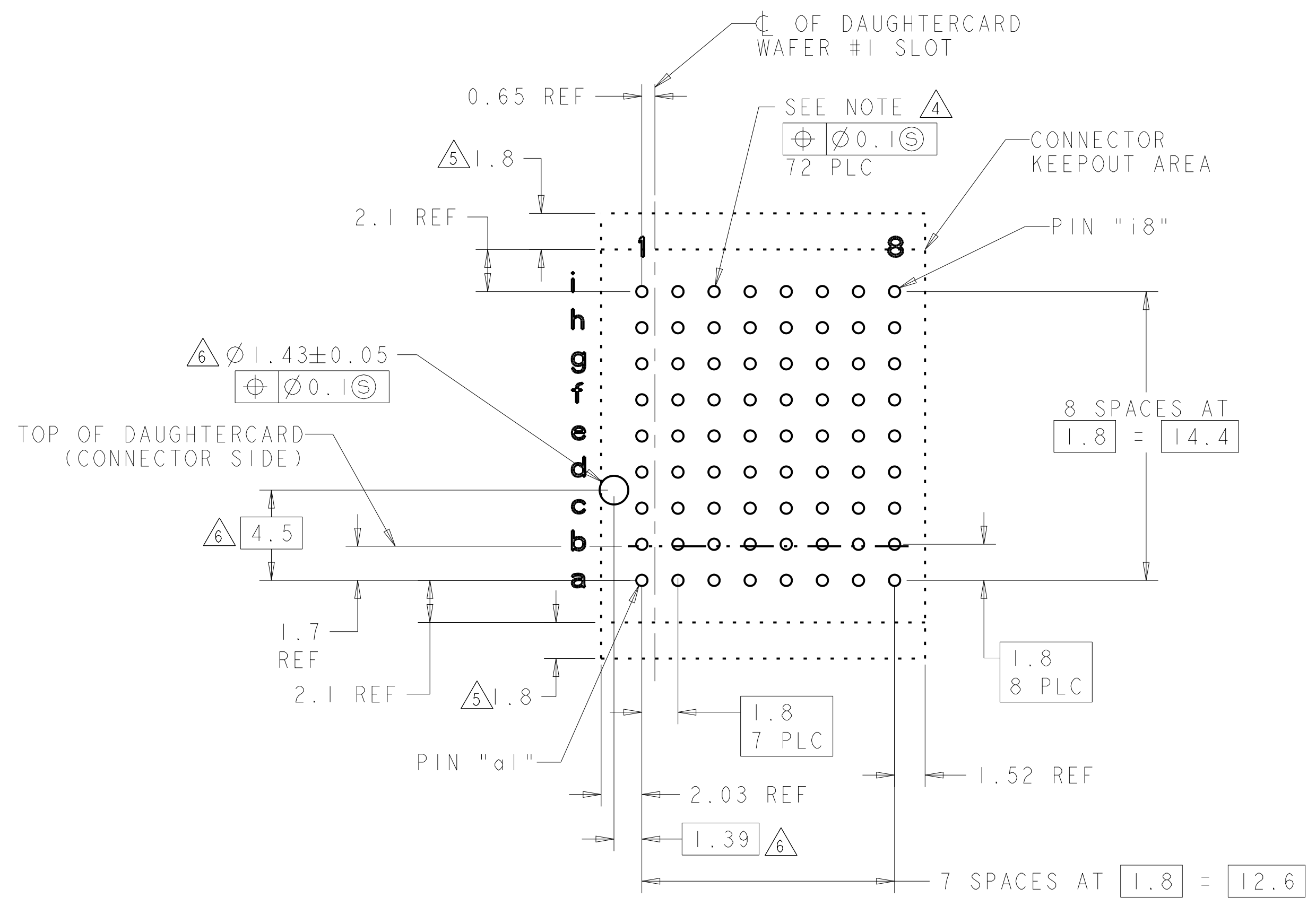


LOC		DIST		REVISIONS			
				REV	DATE	BY	CHK
		F		REV PER ECO 14-003443	3-21-14	CT	DH



- 1 HOUSING: LCP, UL94V0, COLOR: BLACK. CONTACT: PHOSPHOR BRONZE.
- 2 FINISH: 1.27µm GOLD IN CONTACT AREA 1.27µm MIN. TIN-LEAD ON PCB TAIL OVER 3.81µm MIN. NICKEL OVER ALL.
- 3 FINISH: 1.27µm GOLD IN CONTACT AREA 1.27µm MIN. TIN ON PCB TAIL OVER 3.81µm MIN. NICKEL OVER ALL.
- 4 PLATED THROUGH HOLE PER TE SPEC. 114-13056, FIGURE 4.
- 5 ADDITIONAL CONNECTOR-SIDE KEEP-OUT AREA REQUIRED IF CONNECTOR-SIDE EXTRACTION TOOL IS TO BE USED.
- 6 PLASTIC ALIGNMENT PIN MUST BE REMOVED FLUSH TO HOUSING BODY PRIOR TO INSERTION INTO RTM LAYOUT



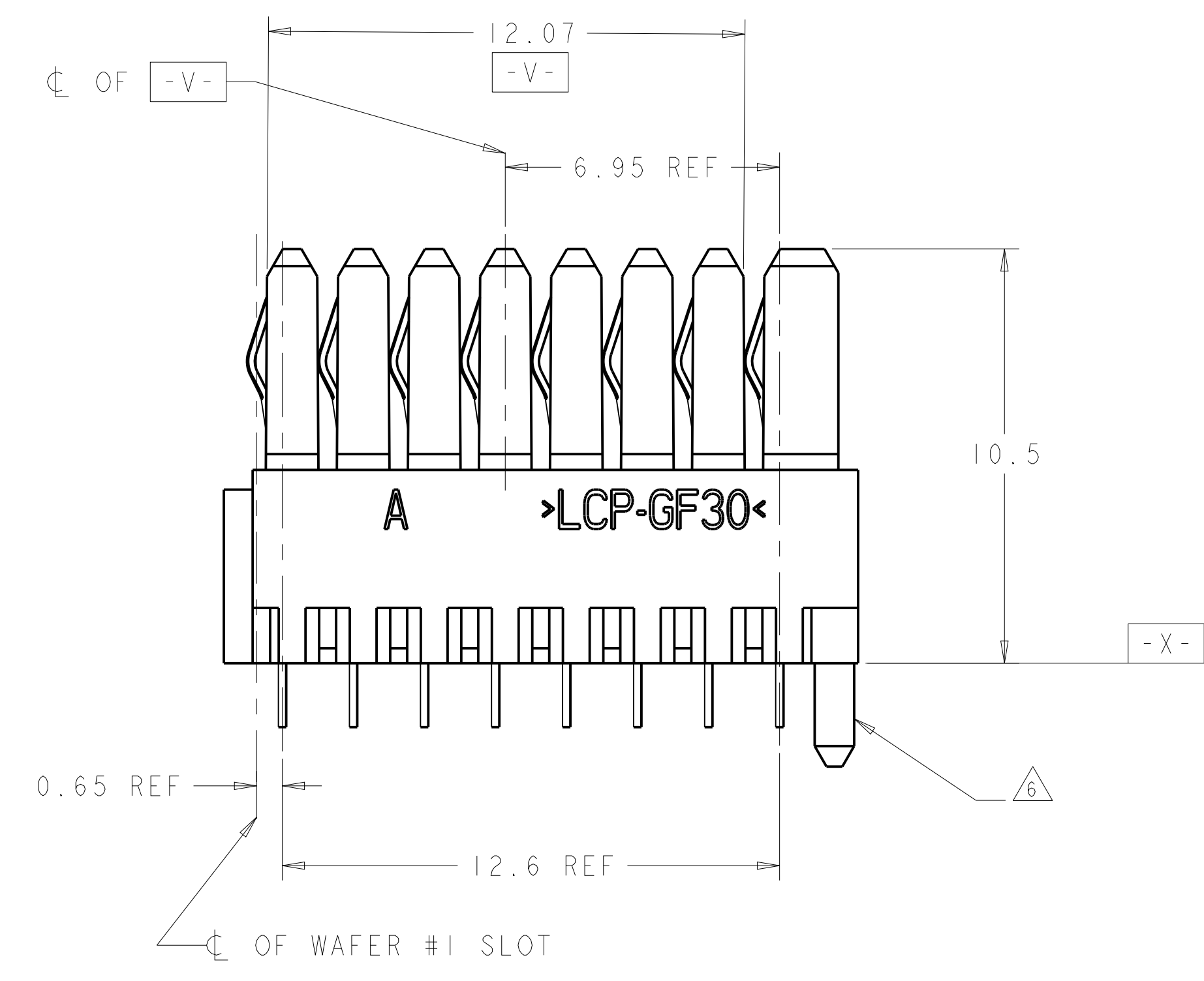
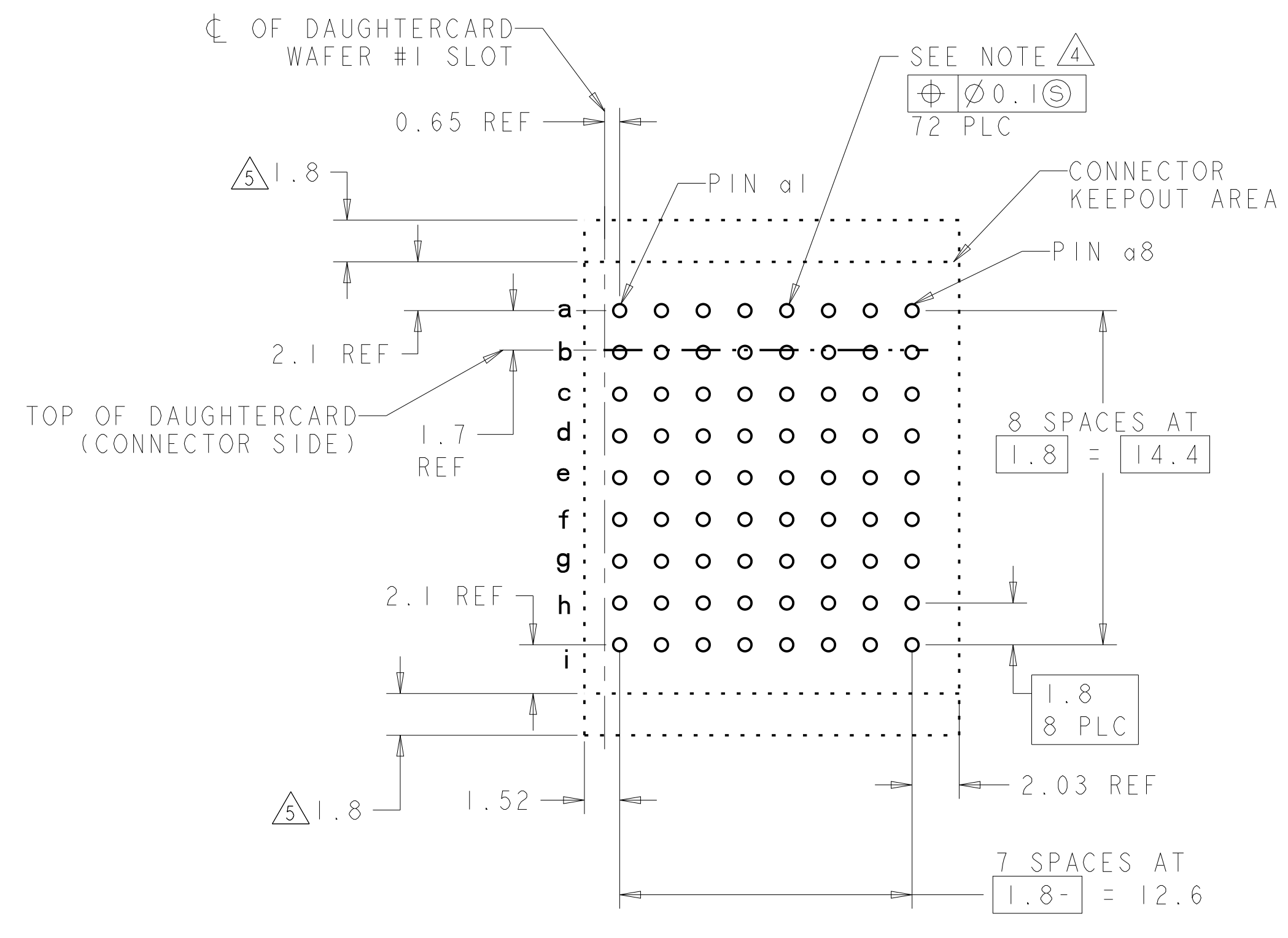
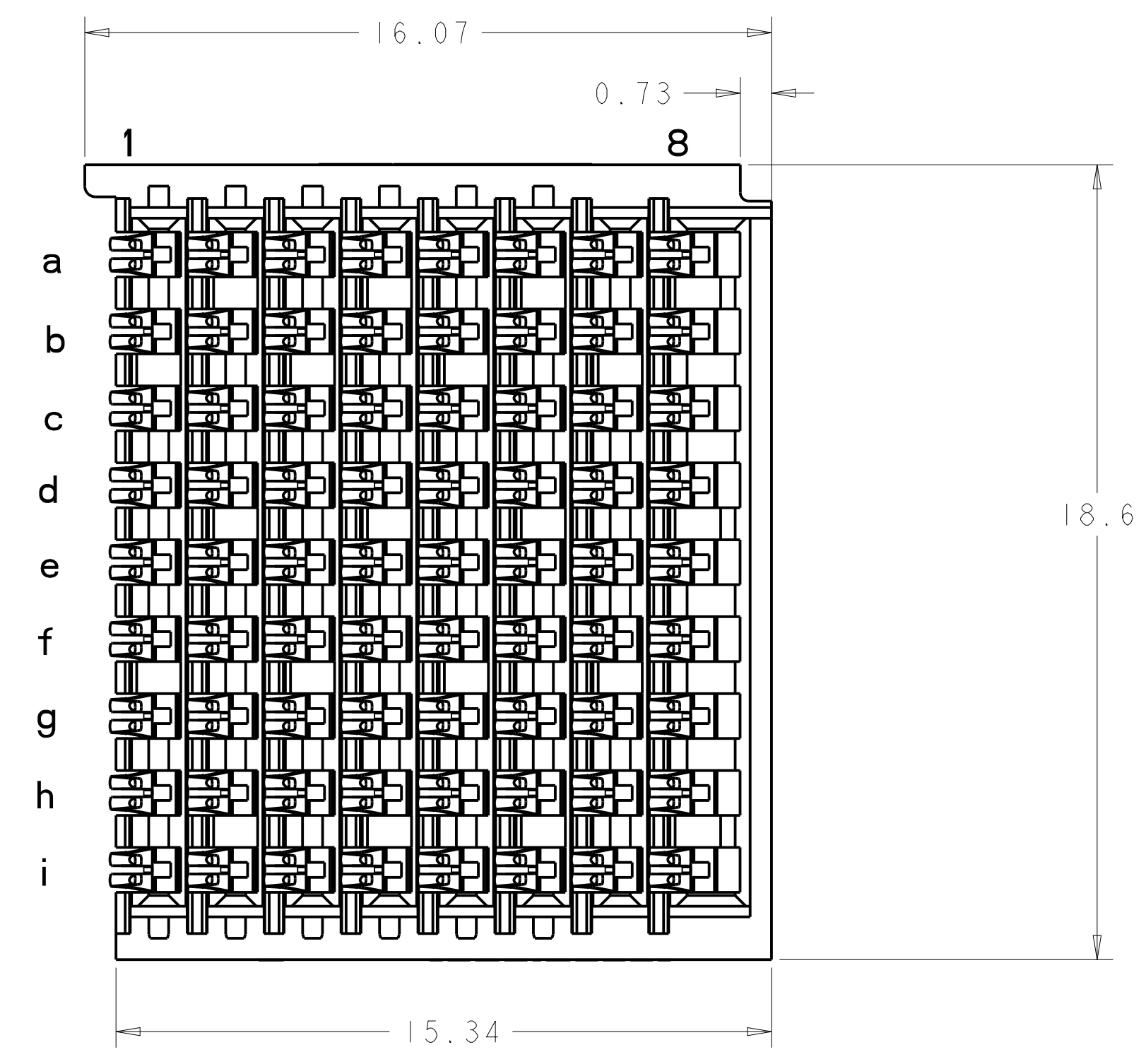
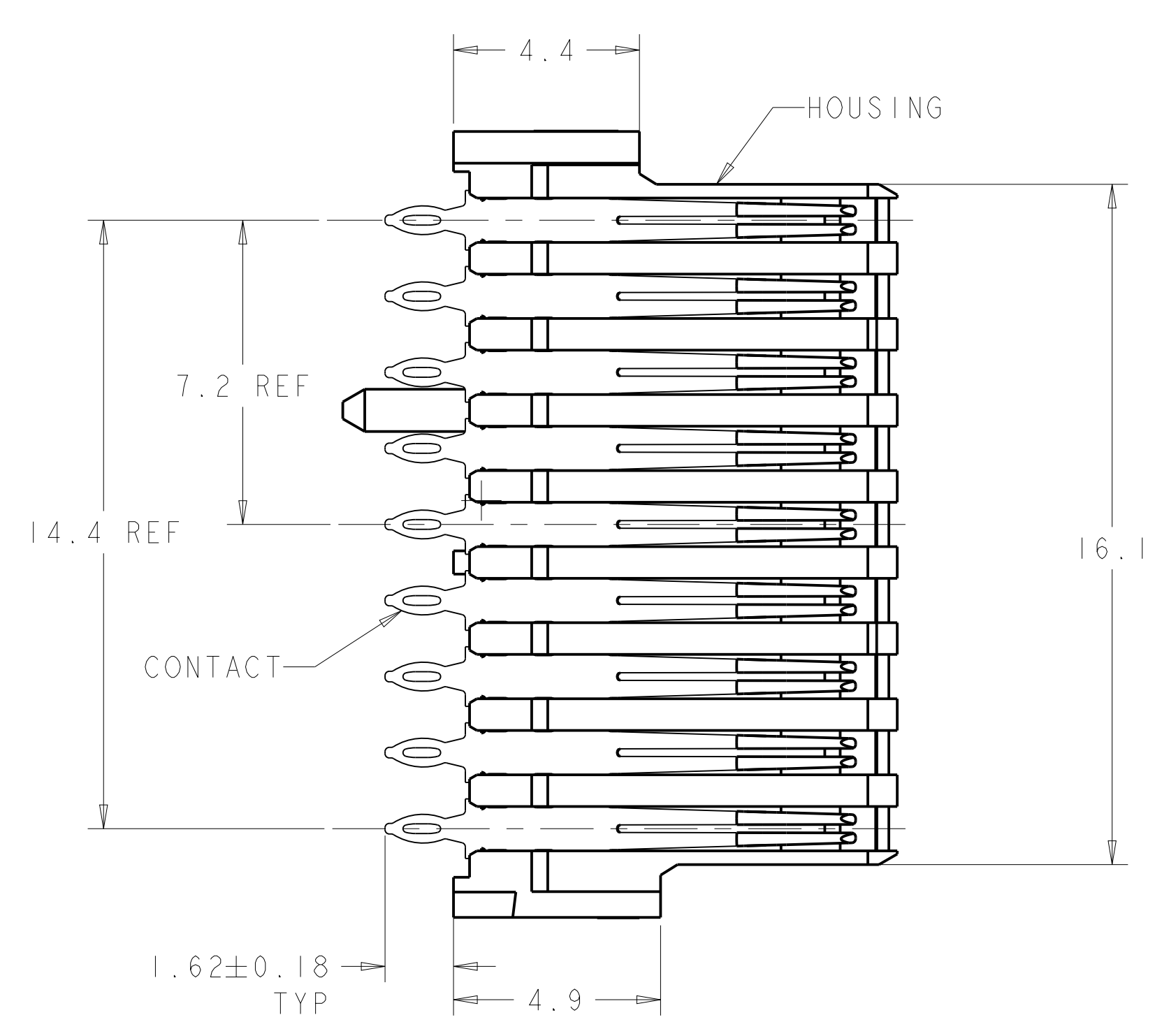
PC BOARD LAYOUT (CONNECTOR SIDE)
SEE SHEET 2 FOR RTM)
SCALE 5:1

3	1410186-2
2	1410186-1
PLATING	PART NO

THIS DRAWING IS A CONTROLLED DOCUMENT.		OWN: L.SIPE 30SEP2003	TE Connectivity	
DIMENSIONS: mm		CHK: J.CONSOLO 30SEP2003	NAME: CONNECTOR ASSEMBLY, BACKPLANE VERTICAL RECEPTACLE, HALF, LEFT END, 20.3mm, MultiGig RT 2	
TOLERANCES UNLESS OTHERWISE SPECIFIED:		APVD: 30SEP2003	SIZE: CAGE CODE DRAWING NO RESTRICTED TO	
0 PLC ±	PRODUCT SPEC 108-2072	A100779C=1410186		
1 PLC ±0.5	APPLICATION SPEC	SCALE 8:1 SHEET 1 OF 2 REV F		
2 PLC ±0.13	114-13056			
3 PLC ±	WEIGHT			
4 PLC ±	CUSTOMER DRAWING			
ANGLES ±1°				
FINISH				
SEE TABLE				

LOC		DIST		REVISIONS			
GP	00	P	LTN	DESCRIPTION	DATE	DWN	APVD
		-		SEE SHEET 1			

REAR TRANSITION MODULE APPLICATION



RTM PC BOARD LAYOUT (CONNECTOR SIDE) SCALE 5:1

THIS DRAWING IS A CONTROLLED DOCUMENT.		DWN	30SEP2003	STE TE Connectivity
DIMENSIONS: mm		CHK	30SEP2003	
TOLERANCES UNLESS OTHERWISE SPECIFIED:		APVD	30SEP2003	NAME CONNECTOR ASSEMBLY, BACKPLANE VERTICAL RECEPTACLE, HALF, LEFT END, 20.3mm, MultiGig RT 2
0 PLC ±0.5		PRODUCT SPEC	108-2072	
1 PLC ±0.13		APPLICATION SPEC	114-13056	SIZE A100779C=1410186
2 PLC ±0.13		WEIGHT		
3 PLC ±0.13		RESTRICTED TO		SCALE 8:1 SHEET 2 OF 2 REV F
4 PLC ±0.13		CUSTOMER DRAWING		
ANGLES ±1°				
FINISH				
SEE TABLE				

X-ON Electronics

Largest Supplier of Electrical and Electronic Components

Click to view similar products for [High Speed/Modular Connectors](#) category:

Click to view products by [TE Connectivity](#) manufacturer:

Other Similar products are found below :

[650827-1](#) [74040-1346](#) [1410191-1](#) [1410368-3](#) [1410964-2](#) [1410326-3](#) [1410367-3](#) [1410971-4](#) [1467833-1](#) [2000877-1](#) [2000878-1](#) [2041314-1](#)
[2065387-1](#) [2187307-1](#) [163P](#) [1934290-1](#) [2000875-1](#) [2065917-1](#) [2102736-2](#) [FSR-40](#) [2169868-2](#) [22354-8](#) [437-5040-000](#) [5-1393565-0](#) [039-](#)
[0246-000](#) [0761601016](#) [0784461022](#) [10123159-12ELF](#) [030-2415-003/100 PK](#) [030-7380-004](#) [030-2494-001](#) [532939-1](#) [5532901-3](#) [3-1469268-](#)
[7](#) [74748-102LF](#) [73670-0247](#) [10041743-101LF](#) [10066670-100002LF](#) [1-533915-1](#) [249-4515-000](#) [7-1469373-3](#) [DL2-2J/S](#) [2000713-8](#)
[2000713-7](#) [10124313-101LF](#) [3011-21](#) [757105208](#) [EBTF-4-10-2.0-S-RA-1](#) [430305-001](#) [4395800100](#)