

4

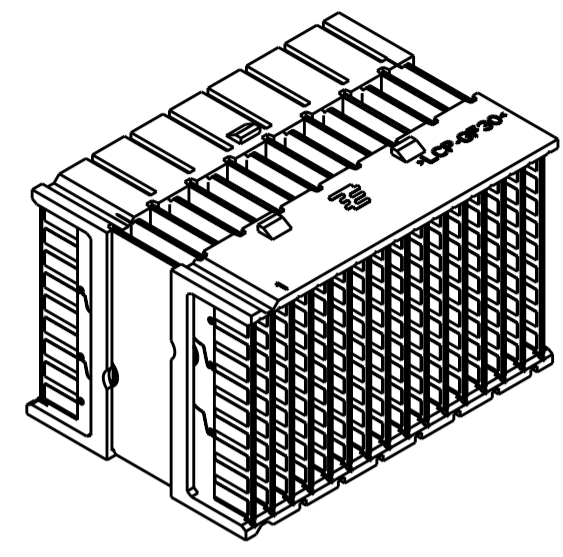
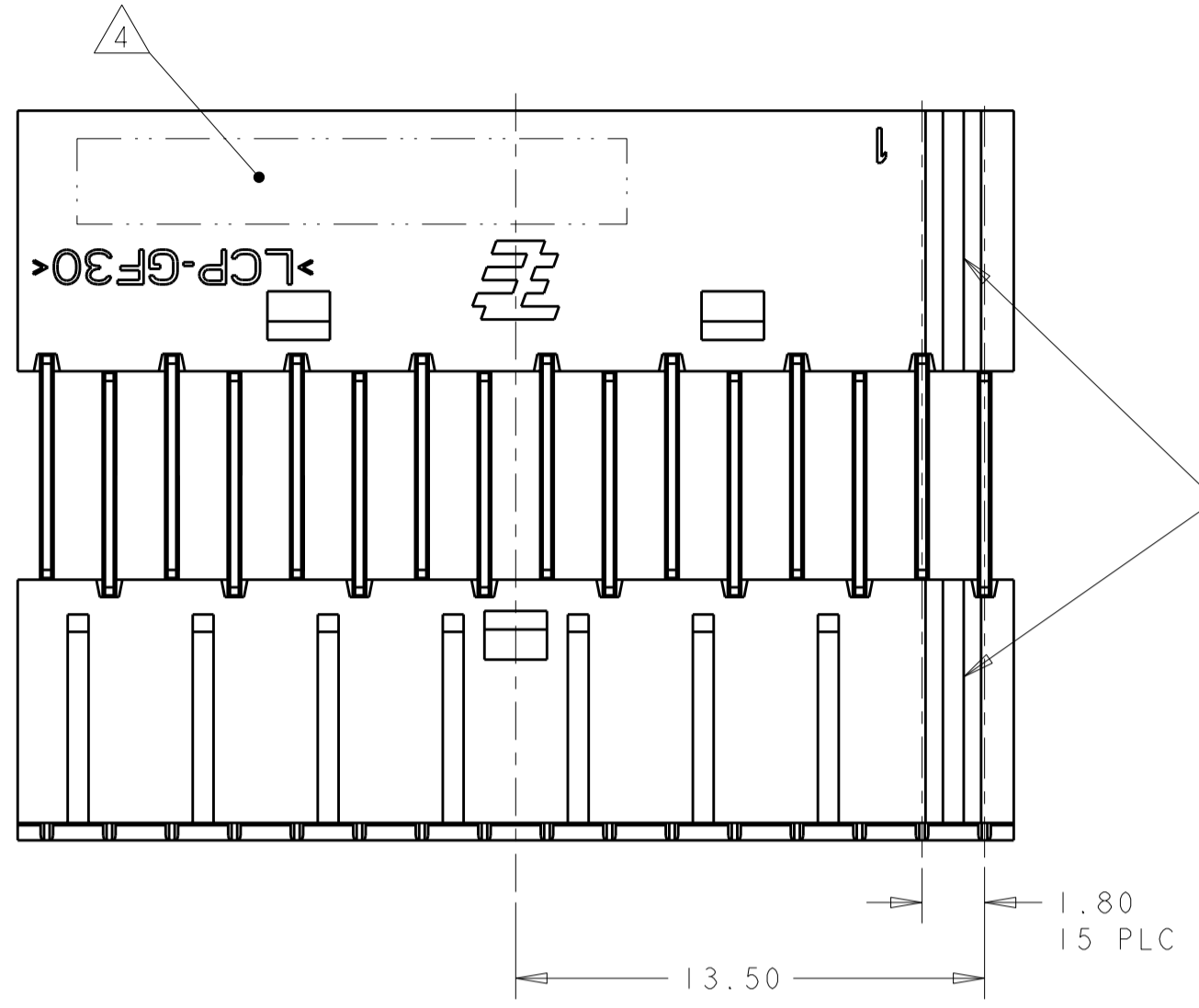
3

2

1

THIS DRAWING IS UNPUBLISHED. RELEASED FOR PUBLICATION 20
 © COPYRIGHT 20 BY TYCO ELECTRONICS CORPORATION. ALL RIGHTS RESERVED.

LOC	DIST	REVISIONS			
P	LTR	DESCRIPTION	DATE	DWN	APVD
GP	00	A	REV PER ECO-08-032056	23DEC2008	BC GG



SCALE 2:1

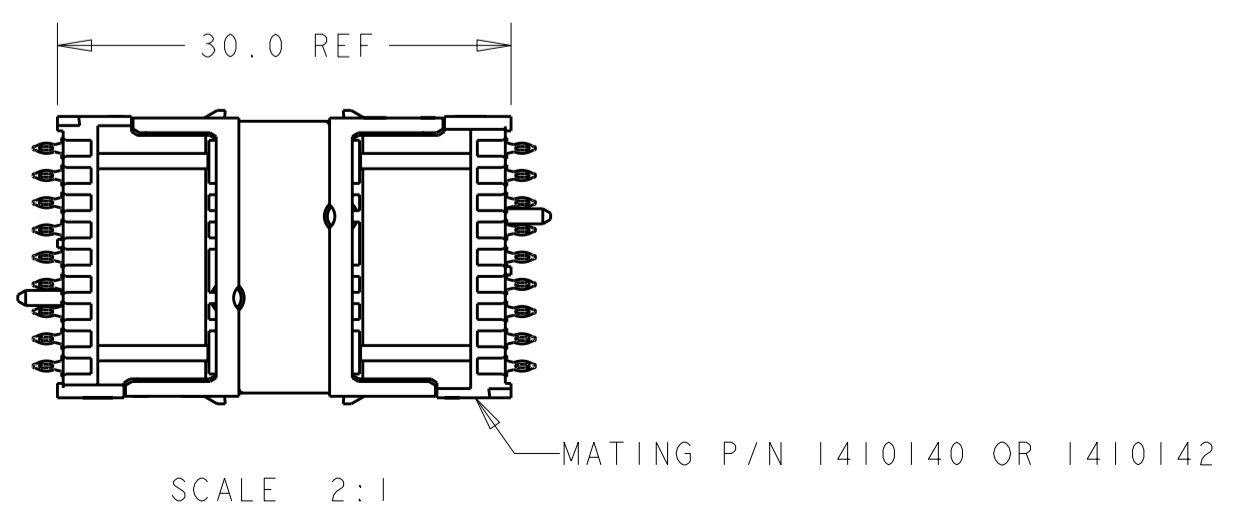
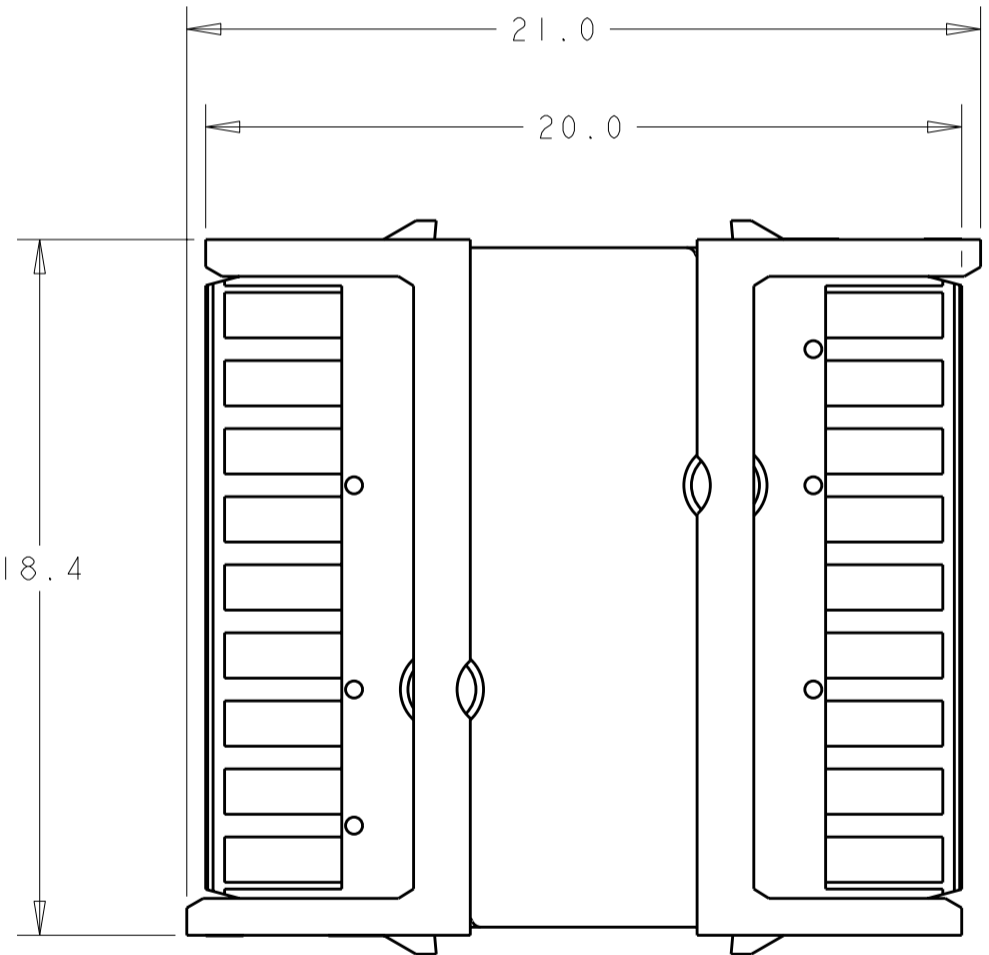
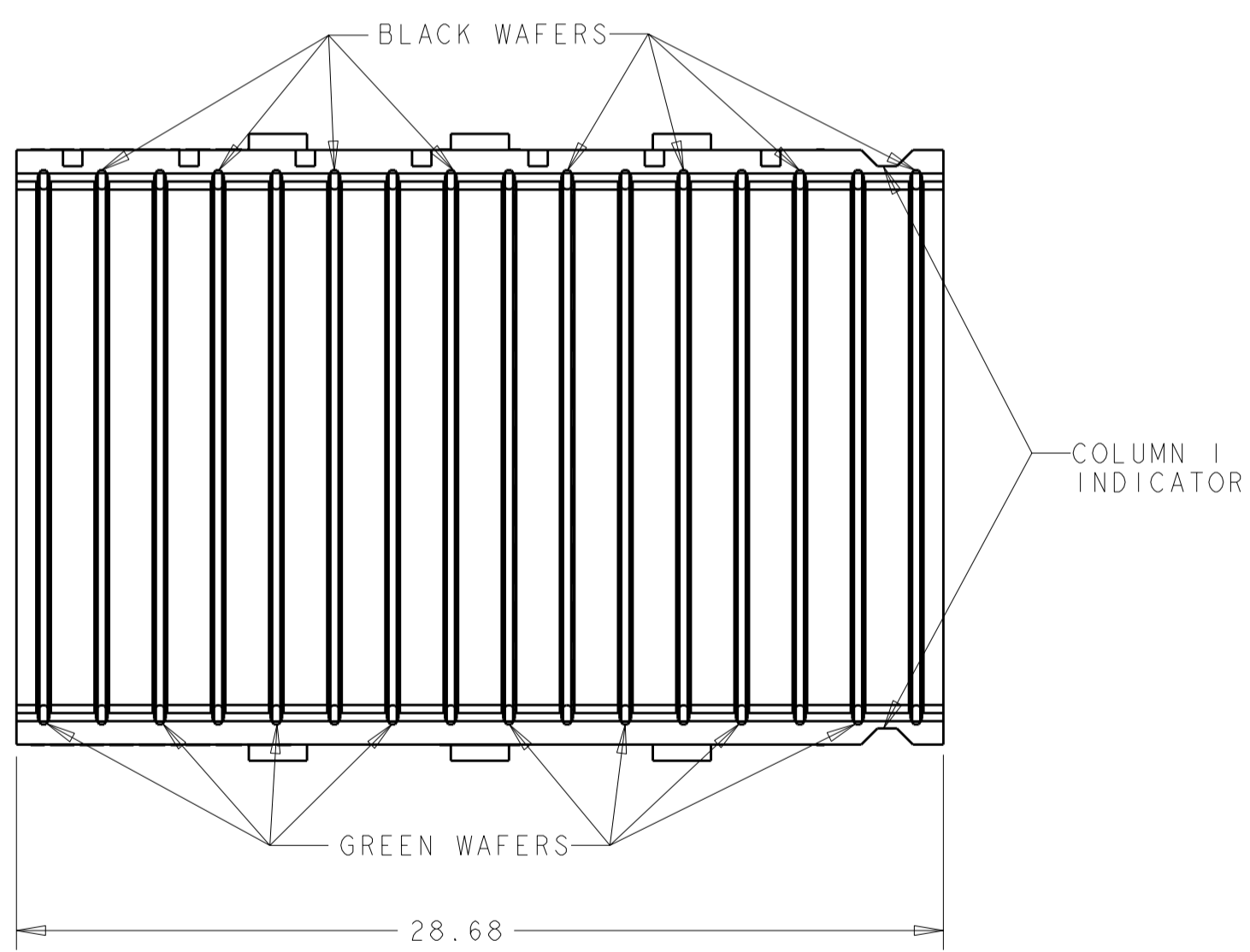
- 1 HOUSING: LCP, UL94V0, COLOR: BLACK. WAFER: FR4.
- 2 CONTACT: GOLD PLATED IN PAD CONTACT AREA.
- 3. SEE TABLE FOR INTERCONNECTIONS TO BACKPLANE CONNECTOR.
- 4 PART NUMBER AND DATE CODE (yyww) LOCATED ON SURFACE INDICATED.

TYPICAL INTERCONNECTIONS FOR EACH ODD-NUMBERED COLUMN (BLACK WAFER): 1, 3, 5, 7, 9, 11, 13, 15

CONTACT USAGE	DAUGHTERCARD/MAIN CARD	MEZZANINE/CARRIER CARD
SIGNAL	bx	ix
SIGNAL	cx	hx
SIGNAL	ex	fx
SIGNAL	fx	ex
SIGNAL	hx	cx
SIGNAL	ix	bx
GROUPS ALL COMMONED	ax, dx, gx	gx, dx, ax

TYPICAL INTERCONNECTIONS FOR EACH EVEN-NUMBERED COLUMN (GREEN WAFER): 2, 4, 6, 8, 10, 12, 14, 16

CONTACT USAGE	DAUGHTERCARD/MAIN CARD	MEZZANINE/CARRIER CARD
SIGNAL	ax	hx
SIGNAL	bx	gx
SIGNAL	dx	ex
SIGNAL	ex	dx
SIGNAL	gx	bx
SIGNAL	hx	ax
GROUPS ALL COMMONED	cx, fx, ix	ix, fx, cx



SCALE 2:1

1410195-1
PART NO

THIS DRAWING IS A CONTROLLED DOCUMENT FOR TYCO ELECTRONICS CORPORATION. IT IS SUBJECT TO CHANGE AND THE CONTROLLING ENGINEERING ORGANIZATION SHOULD BE CONTACTED FOR THE LATEST REVISION.		DWN L. SIPE 16 JUN 2006	Tyco Electronics Harrisburg, PA 17105-3608	
DIMENSIONS: mm		CHK M. McALONIS 16 JUN 2006	NAME MEZZANINE CONNECTOR, 30mm STACK HEIGHT, DIFFERENTIAL, 16 WAFER, MultiGig RT2	
TOLERANCES UNLESS OTHERWISE SPECIFIED: 0 PLC ± 1 PLC ±0.3 2 PLC ±0.13 3 PLC ±0.013 4 PLC ± ANGLES ± FINISH ±		APVD G. GRIFFITH 23 DEC 2008	RESTRICTED TO	
MATERIAL		PRODUCT SPEC 108-2072	SIZE A2	CAGE CODE 20779
		APPLICATION SPEC 114-13056	DRAWING NO 1410195	REV A
		WEIGHT -	SCALE 5:1 SHEET 1 OF 1	
		CUSTOMER DRAWING		

X-ON Electronics

Largest Supplier of Electrical and Electronic Components

Click to view similar products for [Board to Board & Mezzanine Connectors](#) category:

Click to view products by [TE Connectivity](#) manufacturer:

Other Similar products are found below :

[589158040000018](#) [MDF7C-18P-2.54DSA\(55\)](#) [FCN-230C068-11](#) [FCN-268F012-G/BD](#) [FCN-268F036-G/BD](#) [FCN-268M012-G/0D](#) [FCN-268M024-G/1D](#) [FCN-723J004/1](#) [MIS-048-01-F-D-DP-K](#) [832-10-034-10-001000](#) [FX4C-80S-1.27DSA](#) [FCN-214Q030-G/0](#) [FCN-234P048-G/0](#) [FCN-235D050-G/C](#) [210-93-314-41-105000](#) [2-22603-0](#) [MDF7-40DP-2.54DSA\(55\)](#) [AXG720047](#) [5031084030](#) [MIT-114-03-F-D-K](#) [55323-1519](#) [DF33-2P-3.3DSA\(24\)](#) [YFT-20-05-H-03-SB-K](#) [503308-3040](#) [026-6203-PDB](#) [027-6203-PDB](#) [069159702701000](#) [10123981-102LF](#) [101A10019X](#) [55650-0588-C](#) [68682-310LF](#) [68684-306](#) [75140-7012](#) [87471-650](#) [194261-1](#) [FCN-268F024-G0D](#) [10124054-515LF](#) [68685-603](#) [8-1616154-3](#) [MIS-019-01-F-D](#) [541371078](#) [IL-WX-10PB-HF-B-E1000E](#) [FCN-268M024-G/3D](#) [20021832-06016C1LF](#) [KX15-20KLDL-E1000E](#) [MDF7-16DP-2.54DSA\(55\)](#) [AXE810124](#) [FCN-214J100-G/0](#) [FCN-230C068-E/S](#) [AXE812124](#)