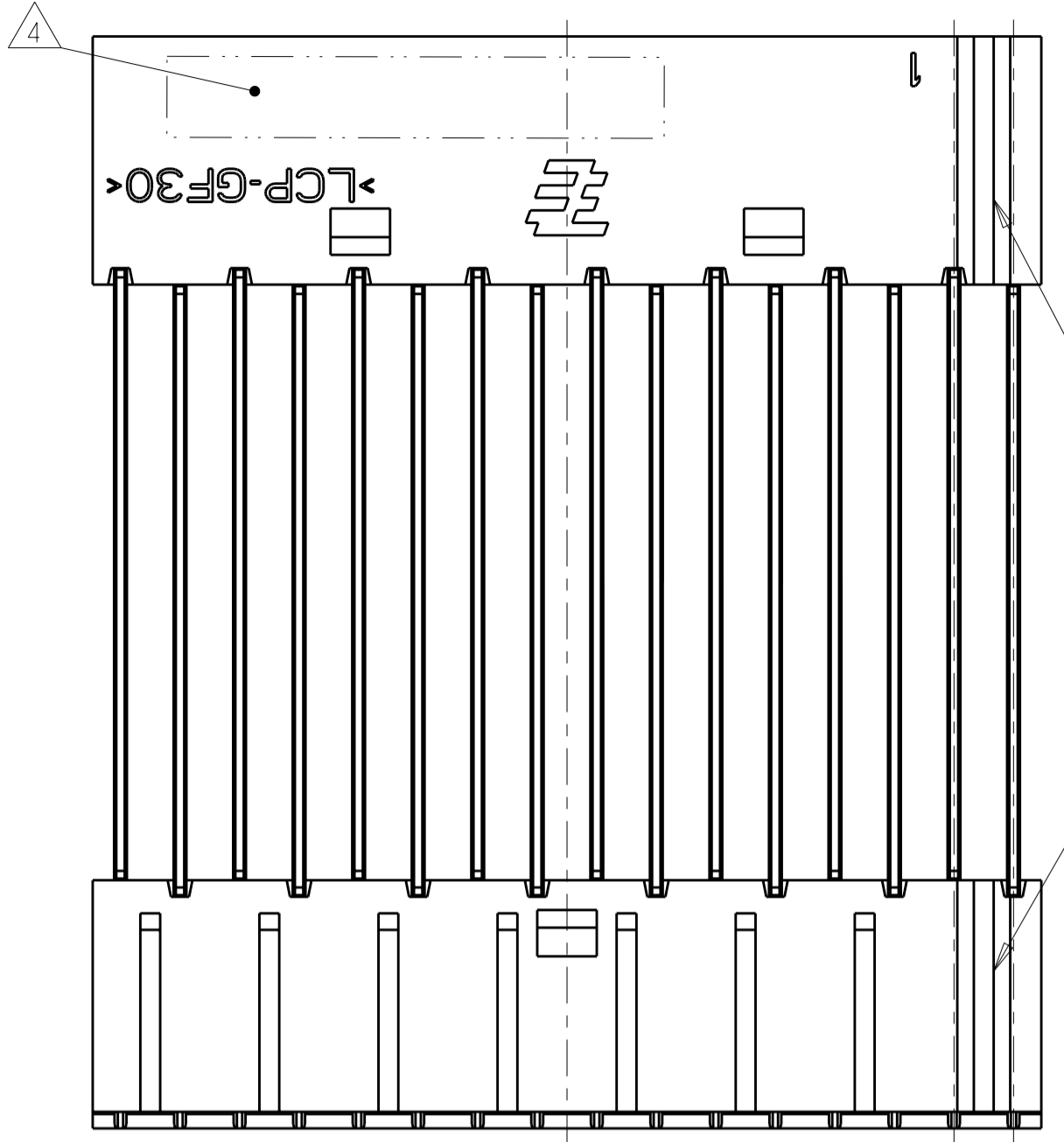
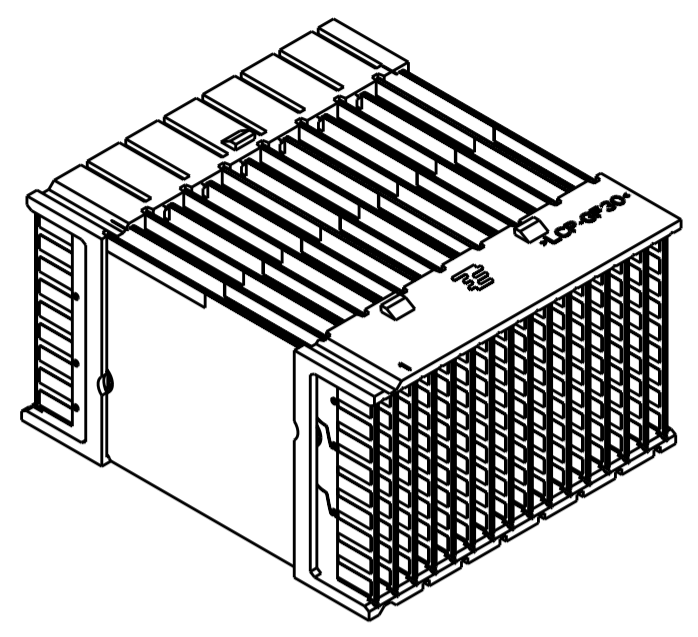


LOC	DIST	REVISIONS			
P	LTR	DESCRIPTION	DATE	DWN	APVD
GP	00	A	REV PER ECO-08-032056	23DEC2008	BC GG



COLUMN 1 INDICATOR

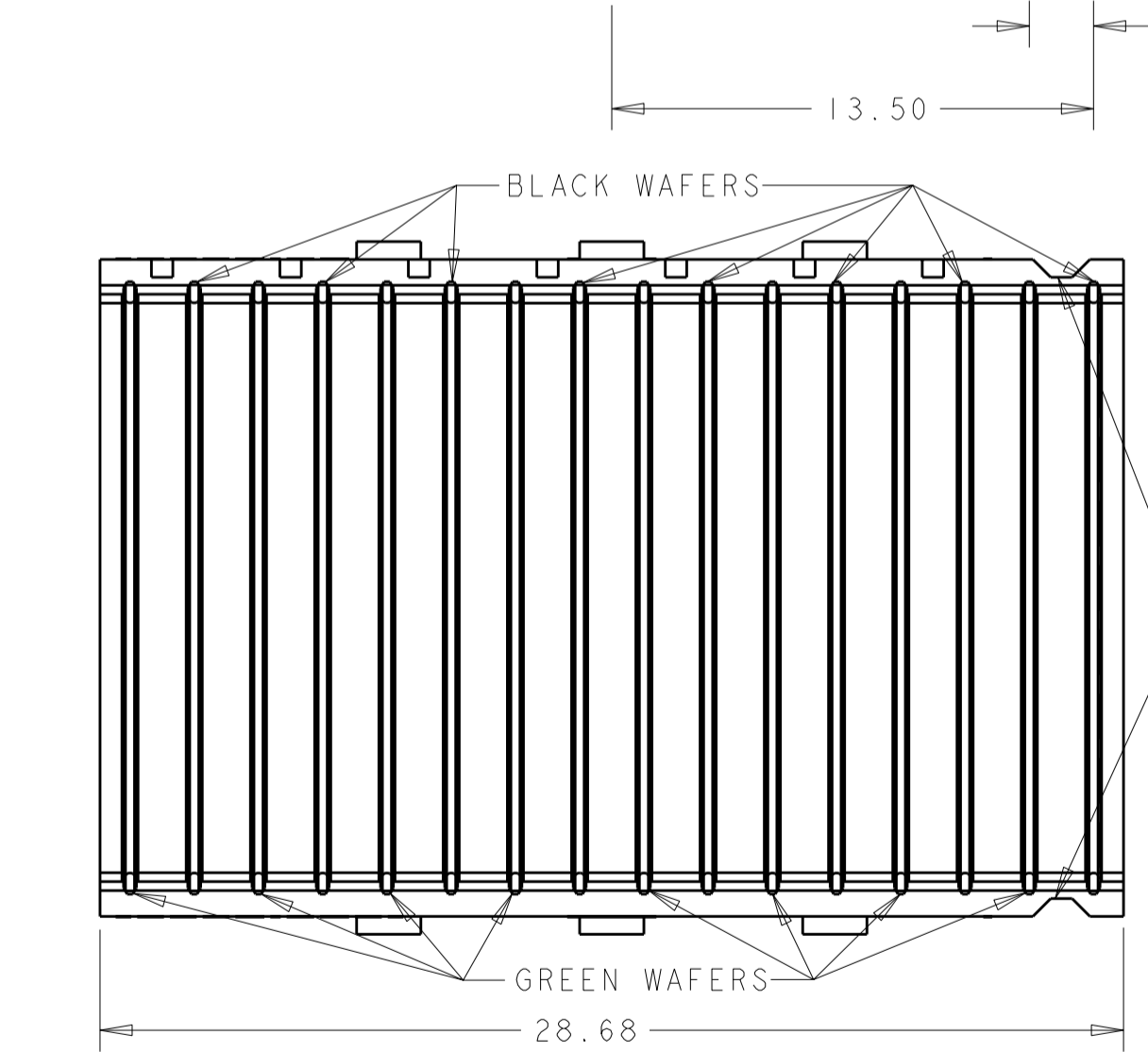


SCALE 2:1

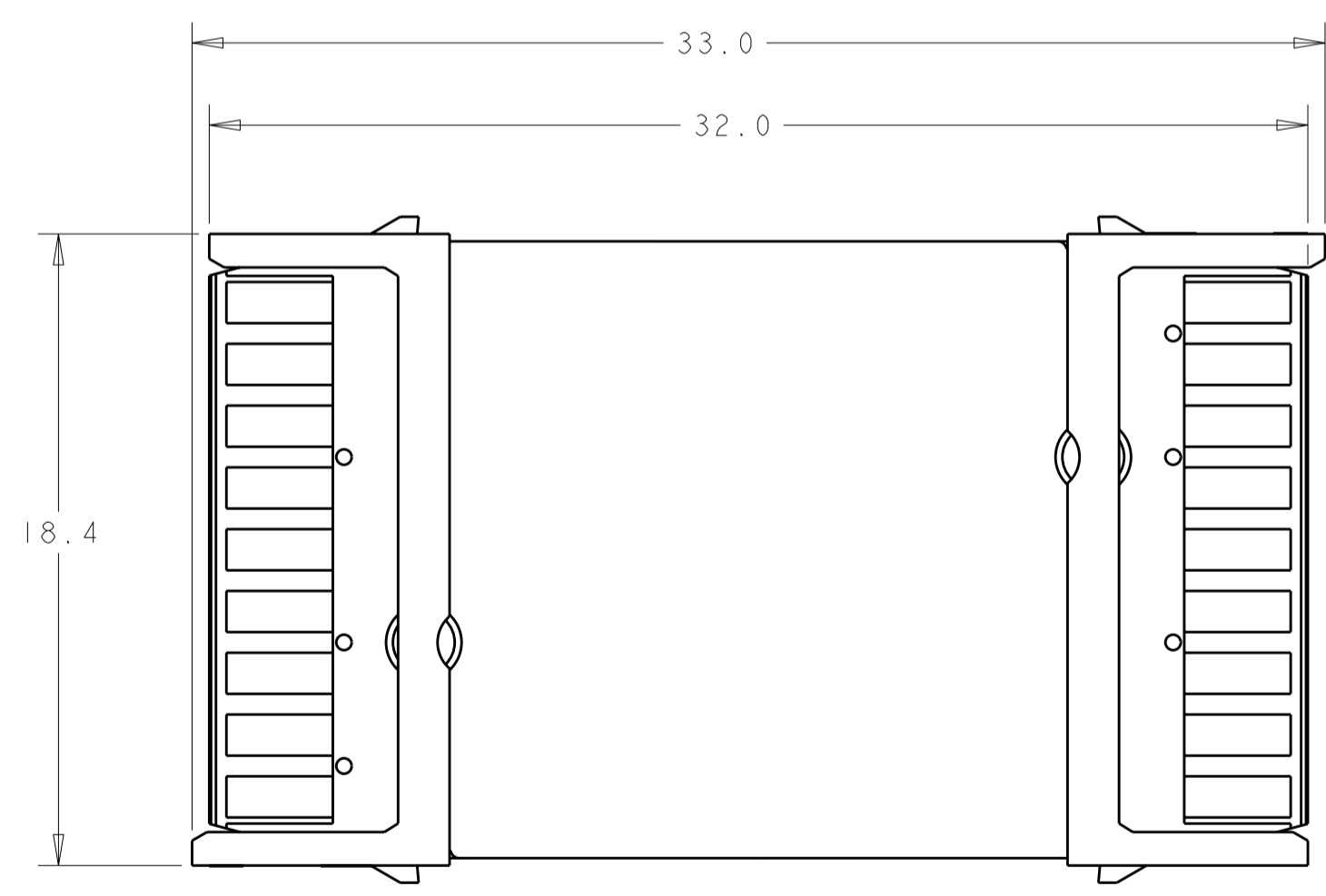
- ① HOUSING: LCP, UL94V0, COLOR: BLACK. WAFER: FR4.
- ② CONTACT: GOLD PLATED IN PAD CONTACT AREA.
- 3. SEE TABLE FOR INTERCONNECTIONS TO BACKPLANE CONNECTOR.
- ④ PART NUMBER AND DATE CODE (yyww) LOCATED ON SURFACE INDICATED.

TYPICAL INTERCONNECTIONS FOR EACH ODD-NUMBERED COLUMN (BLACK WAFER): 1, 3, 5, 7, 9, 11, 13, 15

CONTACT USAGE	DAUGHTERCARD/MAIN CARD	MEZZANINE/CARRIER CARD
SIGNAL	bx	ix
SIGNAL	cx	hx
SIGNAL	ex	fx
SIGNAL	fx	ex
SIGNAL	hx	cx
SIGNAL	ix	bx
GROUPS ALL COMMONED	ax, dx, gx	gx, dx, ax

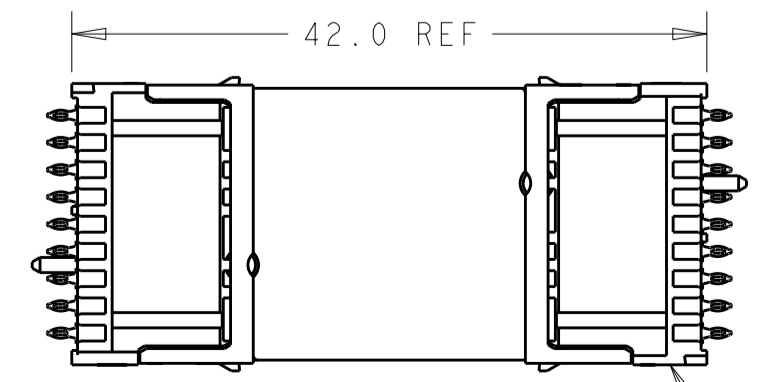


COLUMN 1 INDICATOR



TYPICAL INTERCONNECTIONS FOR EACH EVEN-NUMBERED COLUMN (GREEN WAFER): 2, 4, 6, 8, 10, 12, 14, 16

CONTACT USAGE	DAUGHTERCARD/MAIN CARD	MEZZANINE/CARRIER CARD
SIGNAL	ax	hx
SIGNAL	bx	gx
SIGNAL	dx	ex
SIGNAL	ex	dx
SIGNAL	gx	bx
SIGNAL	hx	ax
GROUPS ALL COMMONED	cx, fx, ix	ix, fx, cx



SCALE 2:1

MATING P/N 1410140 OR 1410142

THIS DRAWING IS A CONTROLLED DOCUMENT FOR TYCO ELECTRONICS CORPORATION. IT IS SUBJECT TO CHANGE AND THE CONTROLLING ENGINEERING ORGANIZATION SHOULD BE CONTACTED FOR THE LATEST REVISION.		DWN L. SIPE 16 JUN 2006	1410196-1 PART NO	
DIMENSIONS: mm		CHK M. McALONIS 16 JUN 2006	Tyco Electronics Harrisburg, PA 17105-3608	
TOLERANCES UNLESS OTHERWISE SPECIFIED: 0 PLC ± 1 PLC ± 2 PLC ±0.13 3 PLC ±0.013 4 PLC ± ANGLES ± FINISH		APVD G. GRIFFITH 23 DEC 2008	NAME MEZZANINE CONNECTOR, 42mm STACK HEIGHT, DIFFERENTIAL, 16 WAFER, MultiGig RT2	
MATERIAL		PRODUCT SPEC 108-2072	SIZE A2	RESTRICTED TO -
		APPLICATION SPEC 114-13056	CAGE CODE 20779	DRAWING NO 1410196
		WEIGHT -	SCALE	SHEET OF REV A
		CUSTOMER DRAWING		

## X-ON Electronics

Largest Supplier of Electrical and Electronic Components

*Click to view similar products for [Board to Board & Mezzanine Connectors](#) category:*

*Click to view products by [TE Connectivity](#) manufacturer:*

Other Similar products are found below :

[589158040000018](#) [MDF7C-18P-2.54DSA\(55\)](#) [FCN-230C068-11](#) [FCN-268F012-G/BD](#) [FCN-268F036-G/BD](#) [FCN-268M012-G/0D](#) [FCN-268M024-G/1D](#) [FCN-723J004/1](#) [MIS-048-01-F-D-DP-K](#) [832-10-034-10-001000](#) [FX4C-80S-1.27DSA](#) [FCN-214Q030-G/0](#) [FCN-234P048-G/0](#) [FCN-235D050-G/C](#) [210-93-314-41-105000](#) [2-22603-0](#) [MDF7-40DP-2.54DSA\(55\)](#) [AXG720047](#) [5031084030](#) [MIT-114-03-F-D-K](#) [55323-1519](#) [DF33-2P-3.3DSA\(24\)](#) [YFT-20-05-H-03-SB-K](#) [503308-3040](#) [026-6203-PDB](#) [027-6203-PDB](#) [069159702701000](#) [10123981-102LF](#) [101A10019X](#) [55650-0588-C](#) [68684-306](#) [75140-7012](#) [589159005003045](#) [194261-1](#) [FCN-268F024-G0D](#) [10124054-515LF](#) [68685-603](#) [8-1616154-3](#) [MIS-019-01-F-D](#) [589159005002045](#) [541371078](#) [IL-WX-10PB-HF-B-E1000E](#) [FCN-268M024-G/3D](#) [20021832-06016C1LF](#) [KX15-20KLDL-E1000E](#) [MDF7-16DP-2.54DSA\(55\)](#) [AXE810124](#) [FCN-214J100-G/0](#) [FCN-230C068-E/S](#) [AXE812124](#)