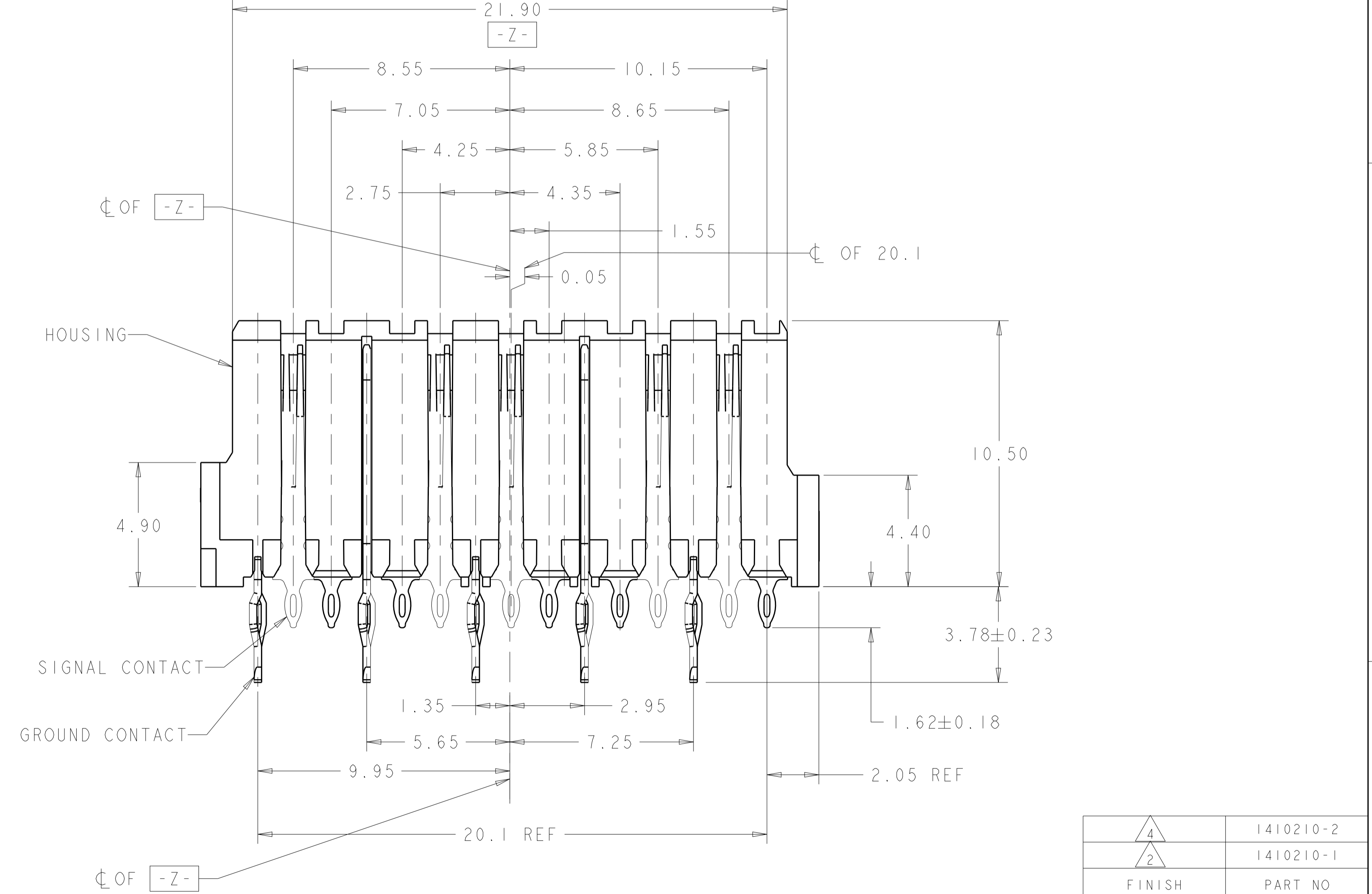
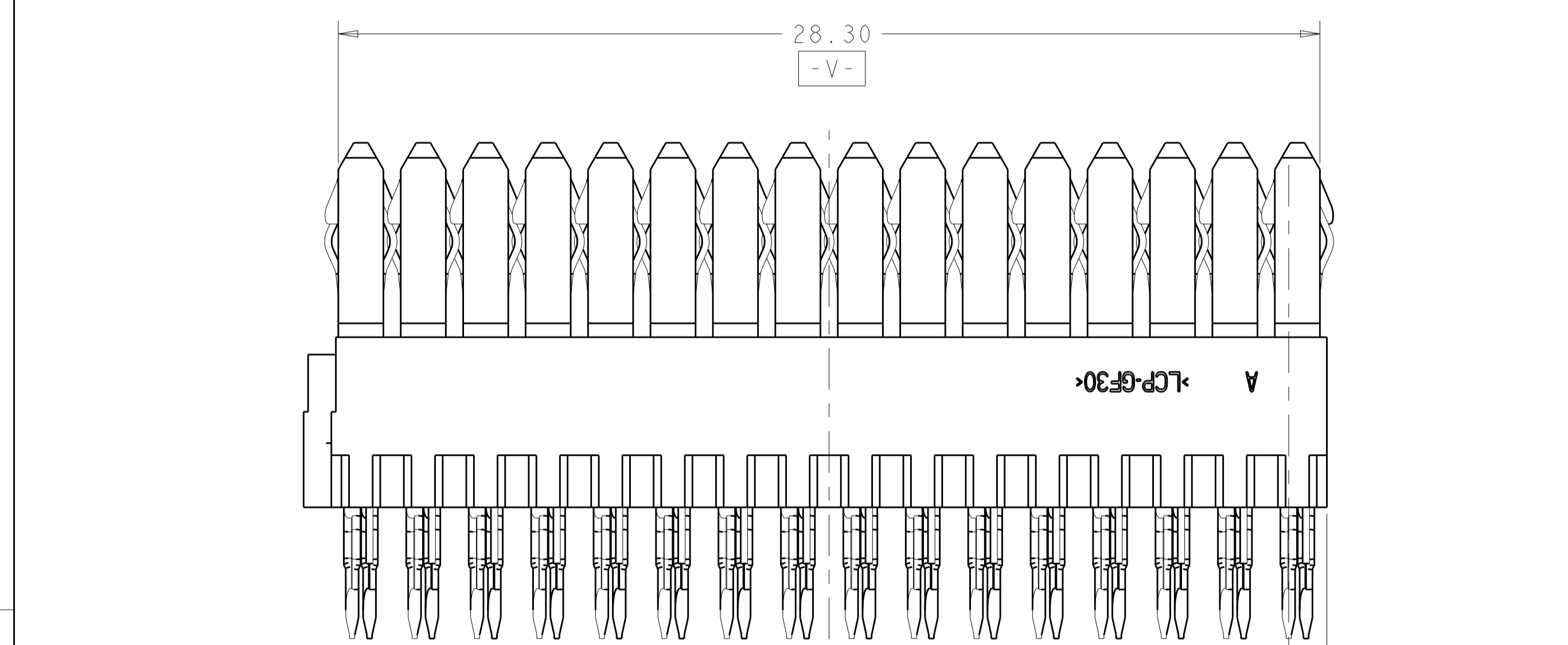
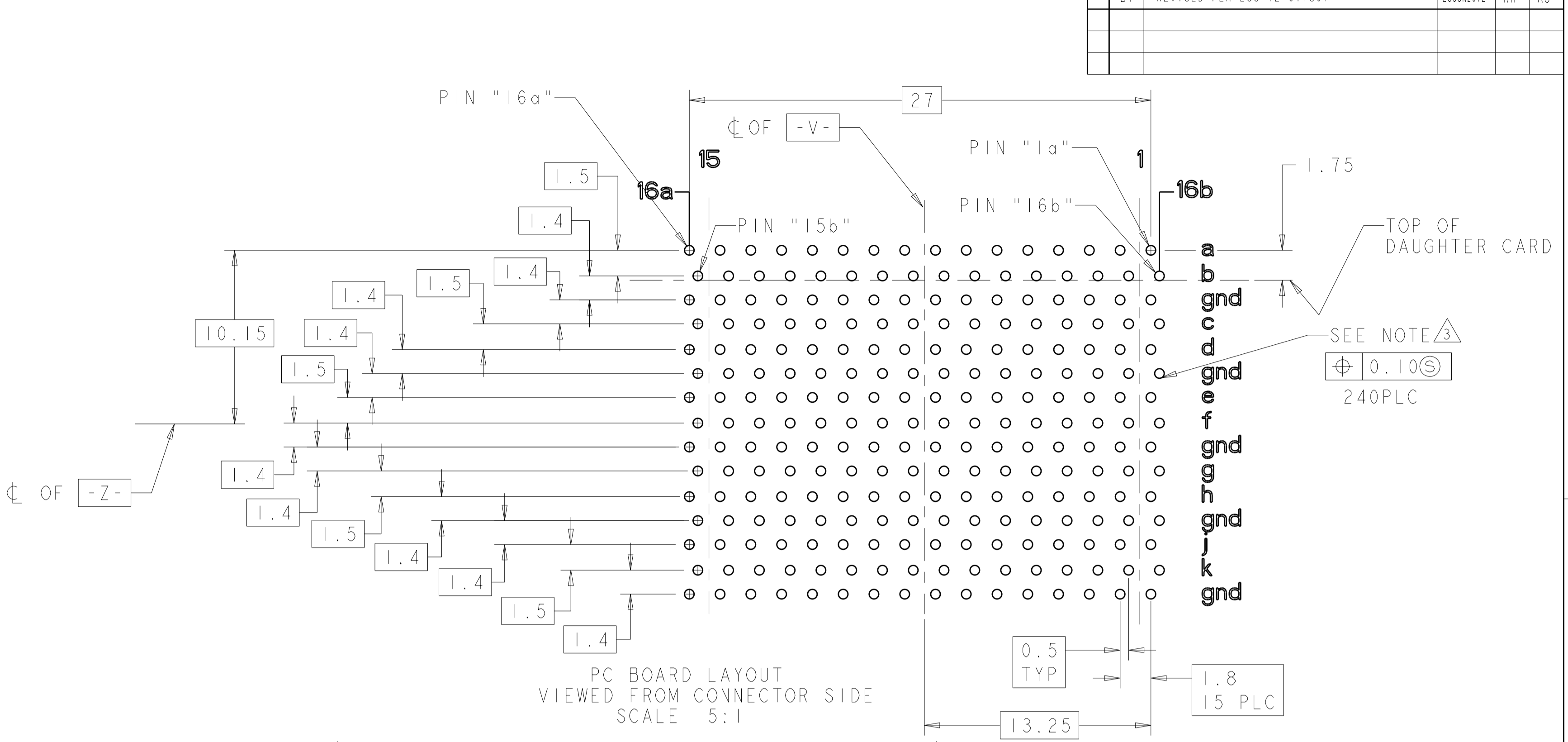
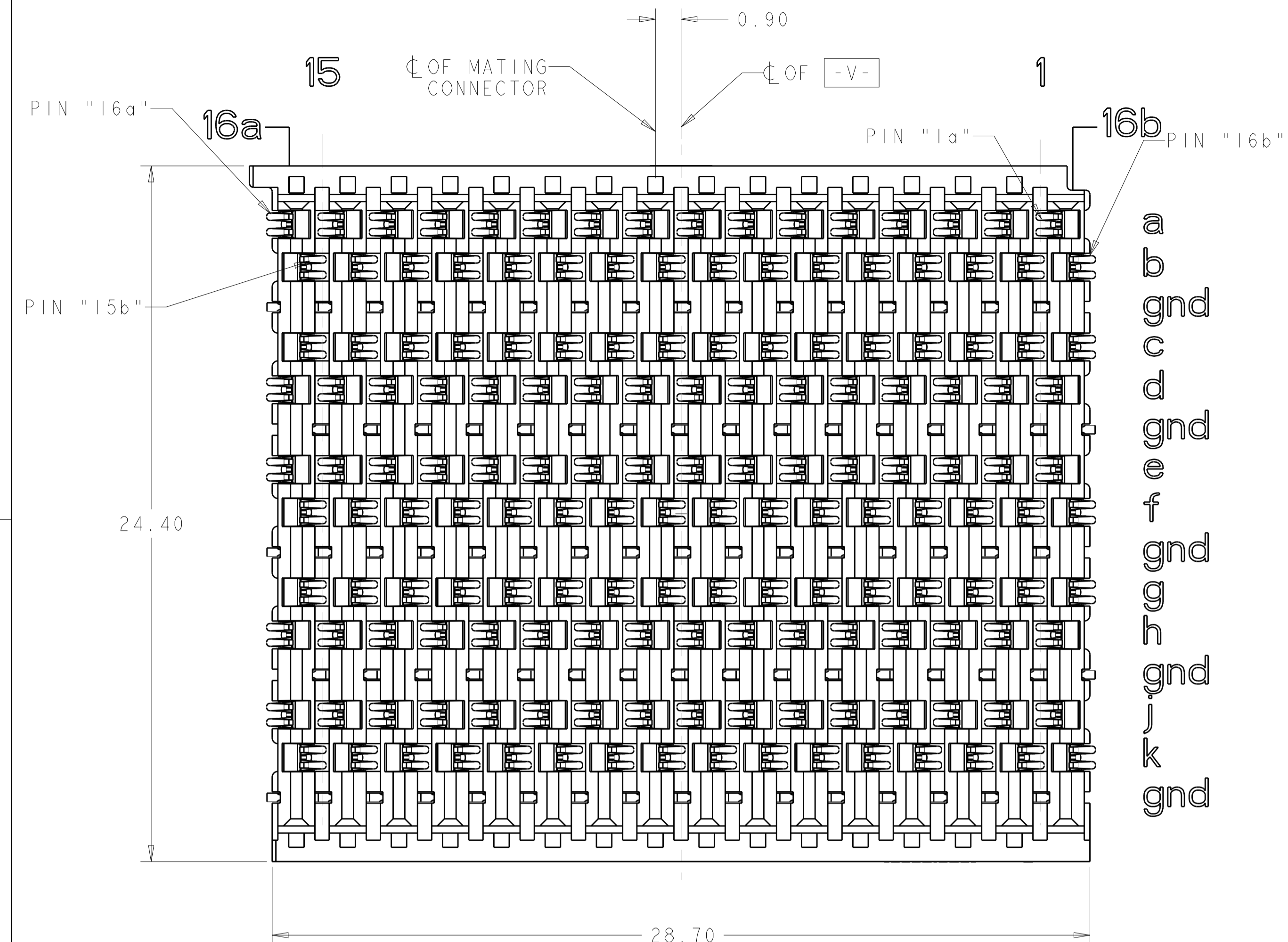


LOC	DIST	REV	DATE	BY	APPV
AD	00	B1	28 JUN 2012	KH	AS



- ① HOUSING: LCP, UL94V-0, BLACK. CONTACT: PHOSPHOR BRONZE.
- ② 1.27µm GOLD PER ASTM B 488 IN CONTACT AREA, 1.27µm MIN TIN-LEAD ON PCB TAIL, OVER 3.81µm MIN NICKEL PER SAE AMS-QQ-N-290 OVER ALL.
- ③ PLATED THROUGH HOLE PER 114-13056, FIGURE 4.
- ④ 1.27 µm GOLD PER ASTM B 488 IN CONTACT AREA , 1.27 µm MIN MATTE TIN PER ASTM B 545 ON PCB TAIL, OVER 3.81 µm MIN NICKEL PER SAE AMS-QQ-N-290 OVER ALL.

④	1410210-2
②	1410210-1
FINISH	PART NO

THIS DRAWING IS A CONTROLLED DOCUMENT.

DIMENSIONS:	TOLERANCES UNLESS OTHERWISE SPECIFIED:	OWN: D.E. STAHL 01 JUN 2000	CHK: S. MICKIEVICZ 01 JUN 2000	APVD: S. MICKIEVICZ 01 JUN 2000
mm	0 PLC ±0.5	NAME: VERTICAL RECEPTACLE ASSEMBLY, CENTER, FULL, 25.4mm, MultiGig RT-1, BACKPLANE CONNECTOR		
	1 PLC ±0.13	PRODUCT SPEC: 108-2072		
	2 PLC ±0.13	APPLICATION SPEC: 114-13056		
	3 PLC ±0.13	SIZE: 114-13056		
	4 PLC ±0.13	WEIGHT: -		
	ANGLES ±0.1°	CAGE CODE: A100779		
MATERIAL: ①	FINISH: ② ④	DRAWING NO: 1410210		
CUSTOMER DRAWING		RESTRICTED TO: -		

SCALE: 8:1 SHEET 1 OF 1 REV: B1

X-ON Electronics

Largest Supplier of Electrical and Electronic Components

Click to view similar products for [High Speed/Modular Connectors](#) category:

Click to view products by [TE Connectivity](#) manufacturer:

Other Similar products are found below :

[650827-1](#) [74040-1346](#) [1410191-1](#) [1410368-3](#) [1410964-2](#) [1410326-3](#) [1410367-3](#) [1410971-4](#) [1467833-1](#) [2000877-1](#) [2000878-1](#) [2041314-1](#)
[2065387-1](#) [2187307-1](#) [163P](#) [1934290-1](#) [2000875-1](#) [2065917-1](#) [2102736-2](#) [FSR-40](#) [2169868-2](#) [22354-8](#) [437-5040-000](#) [5-1393565-0](#) [039-](#)
[0246-000](#) [0761601016](#) [0784461022](#) [10123159-12ELF](#) [030-2415-003/100 PK](#) [030-7380-004](#) [030-2494-001](#) [532939-1](#) [5532901-3](#) [3-1469268-](#)
[7](#) [74748-102LF](#) [73670-0247](#) [10041743-101LF](#) [10066670-100002LF](#) [1-533915-1](#) [249-4515-000](#) [7-1469373-3](#) [DL2-2J/S](#) [2000713-8](#)
[2000713-7](#) [10124313-101LF](#) [3011-21](#) [757105208](#) [EBTF-4-10-2.0-S-RA-1](#) [430305-001](#) [4395800100](#)