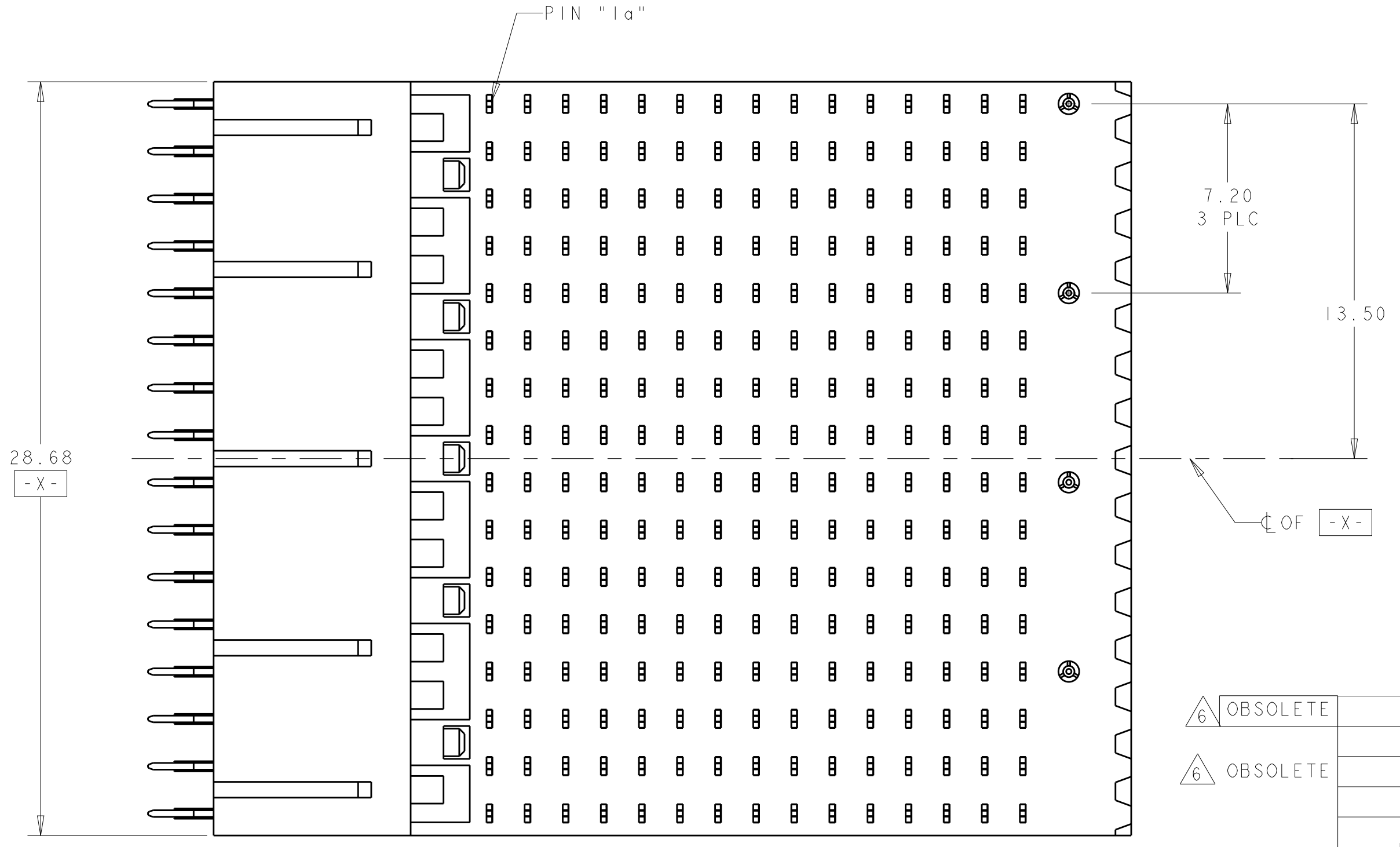
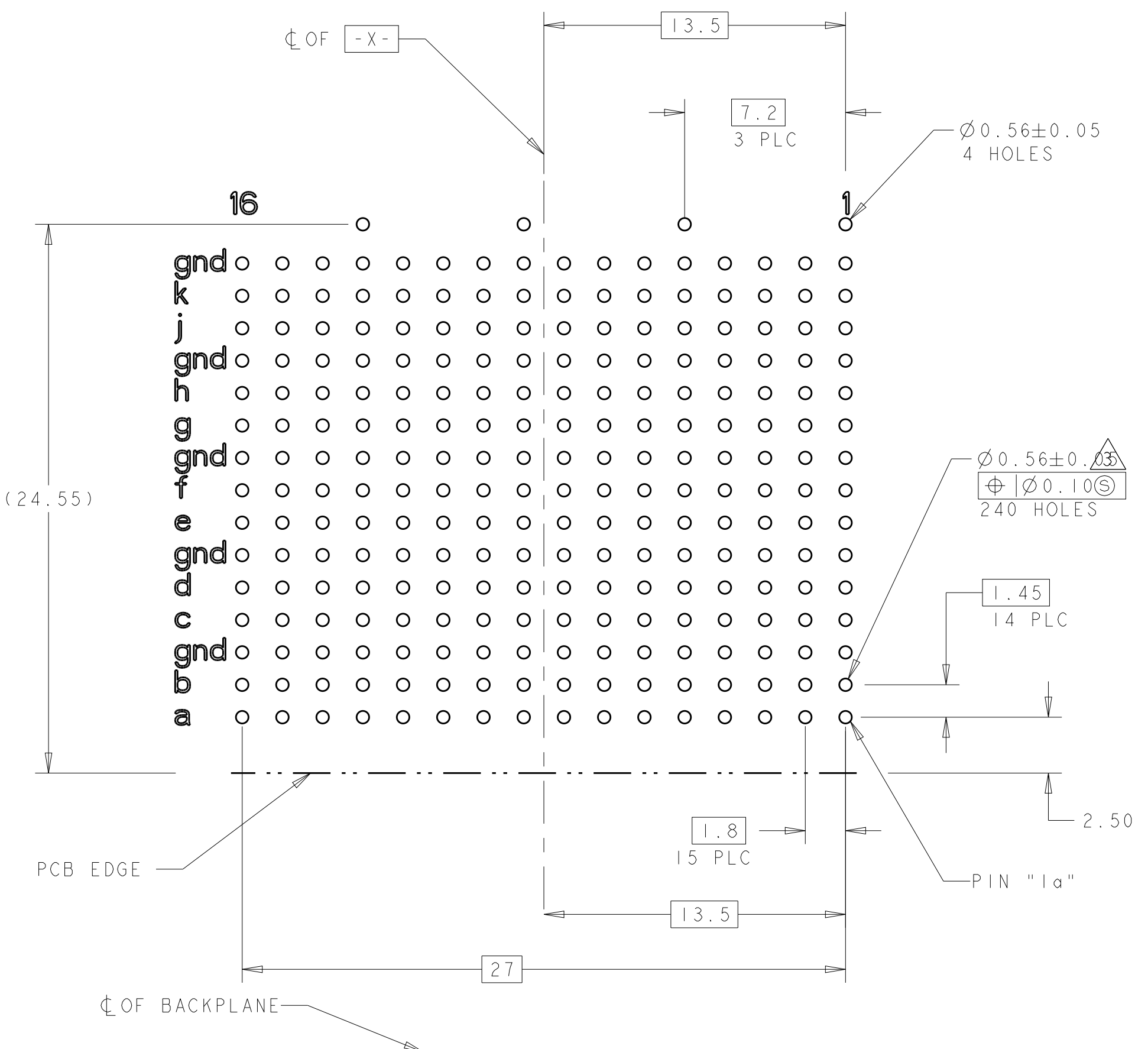
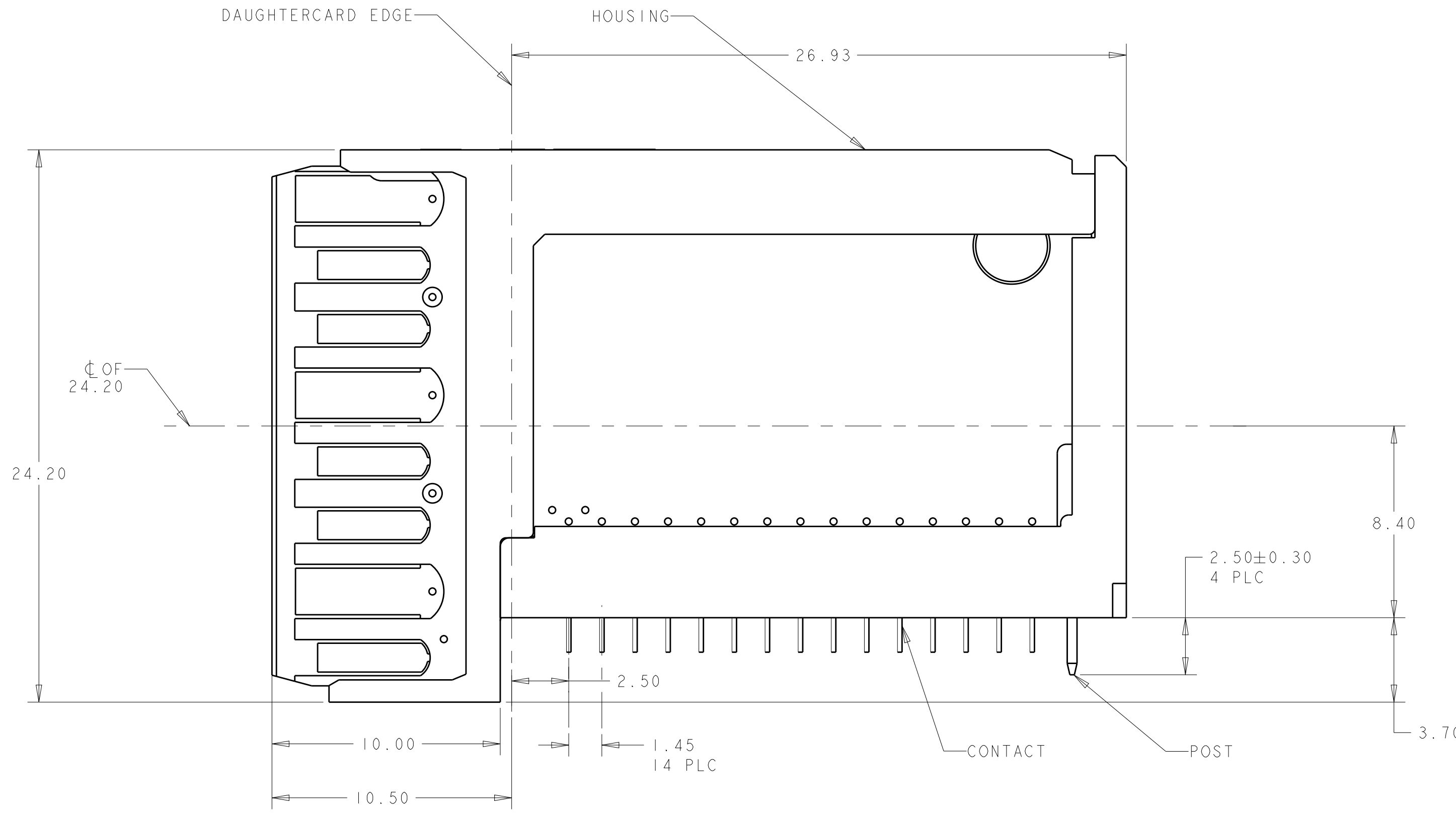
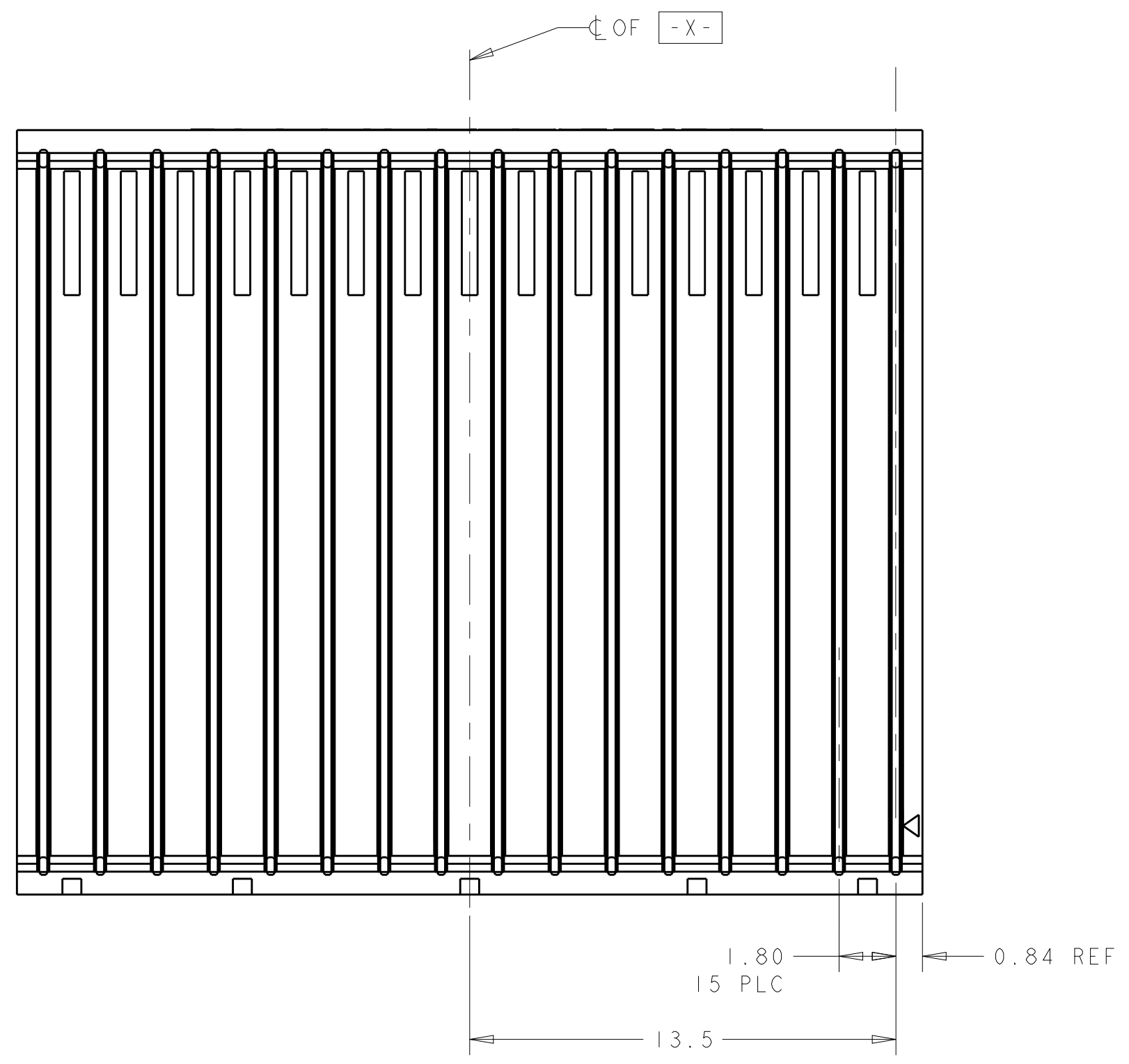


| LOC |     | DIST                      |           | REVISIONS |      |  |  |
|-----|-----|---------------------------|-----------|-----------|------|--|--|
| P   | LTN | DESCRIPTION               | DATE      | DWN       | APVD |  |  |
| A2  |     | REVISED PER ECO-12-011861 | 28JUN2012 | KH        | AS   |  |  |



- 1 HOUSING: LCP, UL94V-0, BLACK.  
CONTACT: PHOSPHOR BRONZE.  
POST: BRASS WIRE.
- 2 CONTACT: 0.76 μm GOLD PER ASTM B 488 IN CONTACT AREA,  
1.27 μm MIN TIN-LEAD  
ON PCB TAIL,  
OVER 1.27 μm MIN NICKEL PER  
SAE AMS-00-N-290 OVER ALL.  
POST: 1.27 μm MIN NICKEL.
- 3 PLATED THROUGH HOLE PER 114-13056,  
FIGURE 4.
- 4 CONTACT: 0.76 μm GOLD PER ASTM B 488 IN CONTACT AREA,  
1.27 μm MIN MATTE TIN PER ASTM B 545  
ON PCB TAIL,  
OVER 1.27 μm MIN NICKEL PER  
SAE AMS-00-N-290 OVER ALL.  
POST: 1.27 μm MIN NICKEL.
- 5 NOTE DELETED.
- 6 OBSOLETE PARTS: OBSOLETE CIS STREAMLINING  
PER D.RENAUD/D.SINISI

| FINISH | DESCRIPTION                      | PART NO   |
|--------|----------------------------------|-----------|
| 4      | DIFFERENTIAL PAIR, NONSEQUENTIAL | 1410215-4 |
| 4      | SINGLE END, NONSEQUENTIAL        | 1410215-3 |
| 2      | DIFFERENTIAL PAIR, NONSEQUENTIAL | 1410215-2 |
| 2      | SINGLE END, NONSEQUENTIAL        | 1410215-1 |

THIS DRAWING IS A CONTROLLED DOCUMENT.

DIMENSIONS: mm

TOLERANCES UNLESS OTHERWISE SPECIFIED:

|        |       |
|--------|-------|
| 0 PLC  | ±     |
| 1 PLC  | ±0.13 |
| 2 PLC  | ±0.13 |
| 3 PLC  | ±0.13 |
| 4 PLC  | ±0.13 |
| ANGLES | ±     |

MATERIAL: FINISH:

THIS DRAWING IS A CONTROLLED DOCUMENT. DWN: D.E.STAHL 06JUN2000, CHK: S.MICKLEVICZ 06JUN2000, APVD: S.MICKLEVICZ 06JUN2000. NAME: RIGHT-ANGLE PLUG ASSEMBLY, CENTER, FULL, 25.4mm, Multigig RT 1, DAUGHTERCARD CONNECTOR. SIZE: 114-13056, CAGE CODE: A100779, DRAWING NO: 1410215, WEIGHT: -, RESTRICTED TO: CUSTOMER DRAWING. SCALE: 8:1, SHEET: 1 OF 1, REV: A2.

## X-ON Electronics

Largest Supplier of Electrical and Electronic Components

*Click to view similar products for [High Speed/Modular Connectors](#) category:*

*Click to view products by [TE Connectivity](#) manufacturer:*

Other Similar products are found below :

[650827-1](#) [74040-1346](#) [1410191-1](#) [1410368-3](#) [1410964-2](#) [1410326-3](#) [1410367-3](#) [1410971-4](#) [1467833-1](#) [2000877-1](#) [2000878-1](#) [2041314-1](#)  
[2065387-1](#) [2187307-1](#) [163P](#) [1934290-1](#) [2000875-1](#) [2065917-1](#) [2102736-2](#) [FSR-40](#) [2169868-2](#) [22354-8](#) [437-5040-000](#) [5-1393565-0](#) [039-](#)  
[0246-000](#) [0761601016](#) [0784461022](#) [10123159-12ELF](#) [030-2415-003/100 PK](#) [030-7380-004](#) [030-2494-001](#) [532939-1](#) [5532901-3](#) [3-1469268-](#)  
[7](#) [74748-102LF](#) [73670-0247](#) [10041743-101LF](#) [10066670-100002LF](#) [1-533915-1](#) [249-4515-000](#) [7-1469373-3](#) [DL2-2J/S](#) [2000713-8](#)  
[2000713-7](#) [10124313-101LF](#) [3011-21](#) [757105208](#) [EBTF-4-10-2.0-S-RA-1](#) [430305-001](#) [4395800100](#)