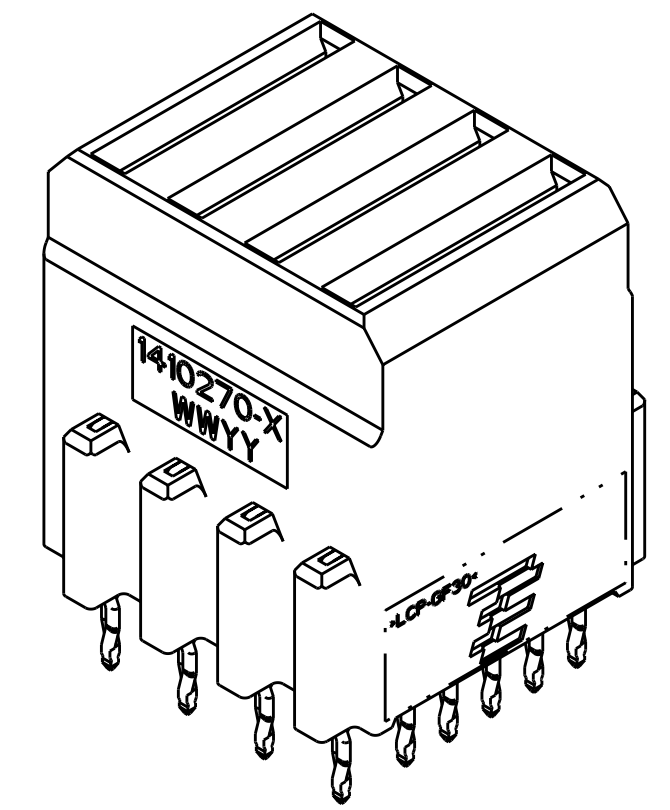
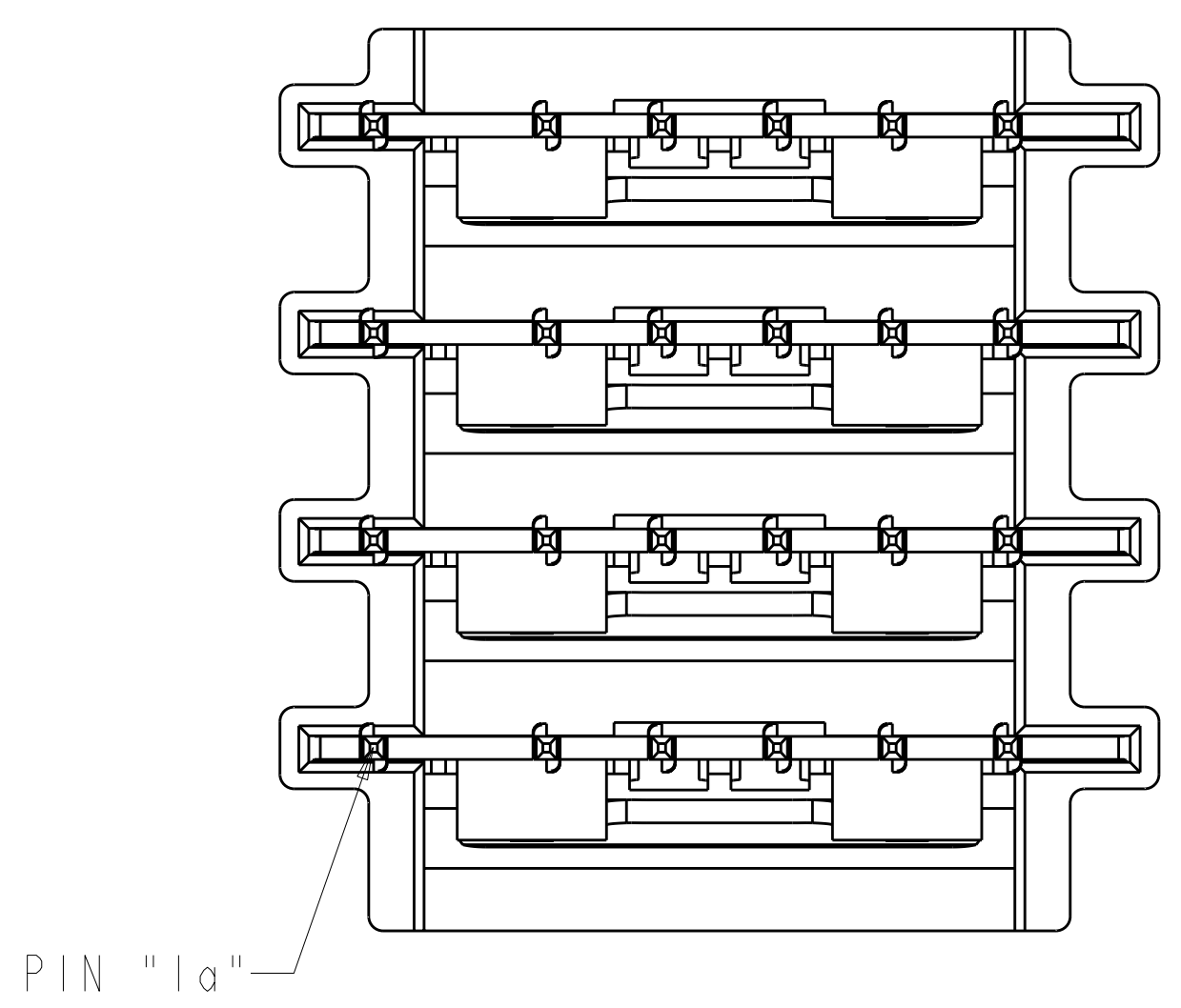
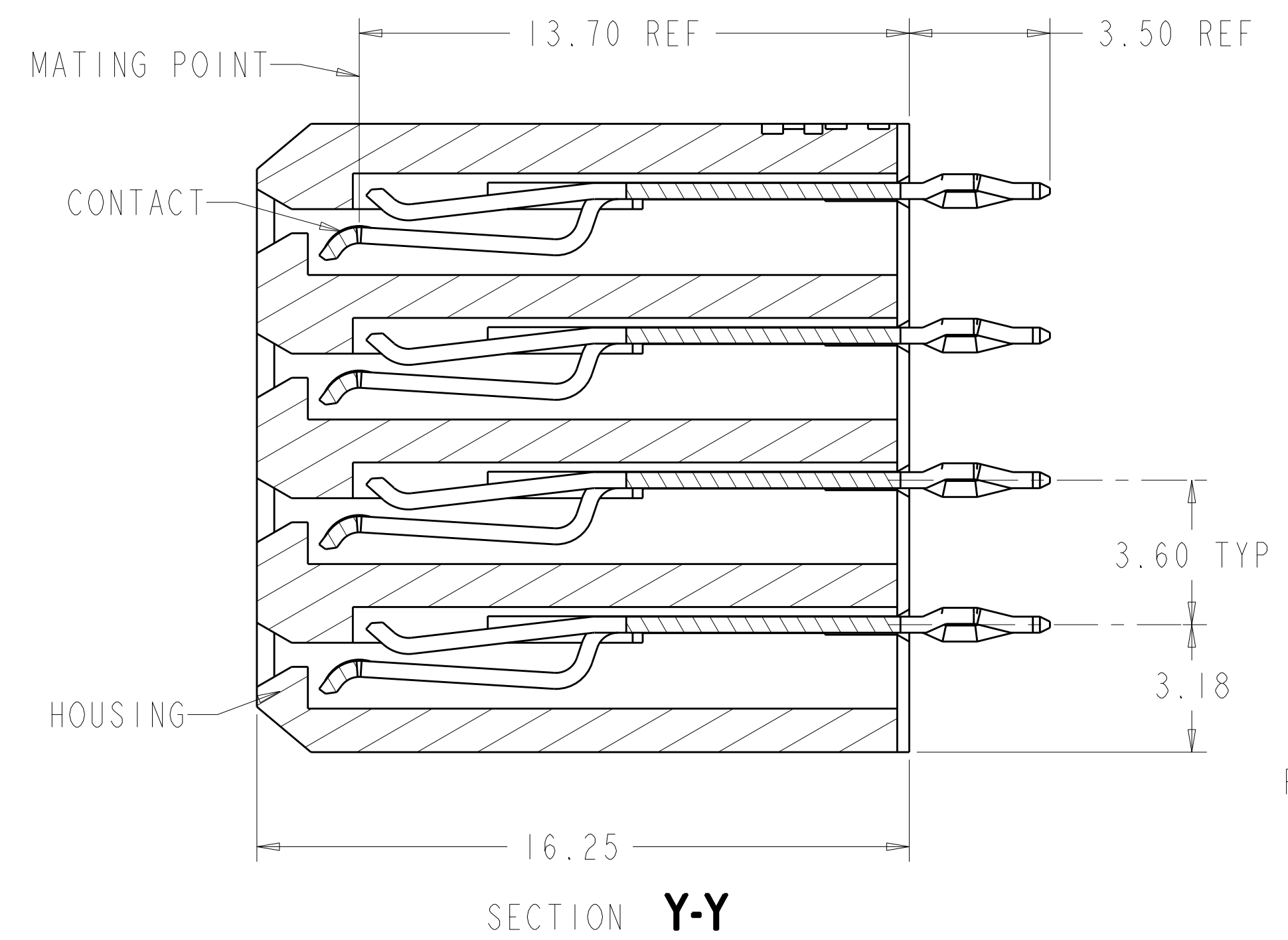
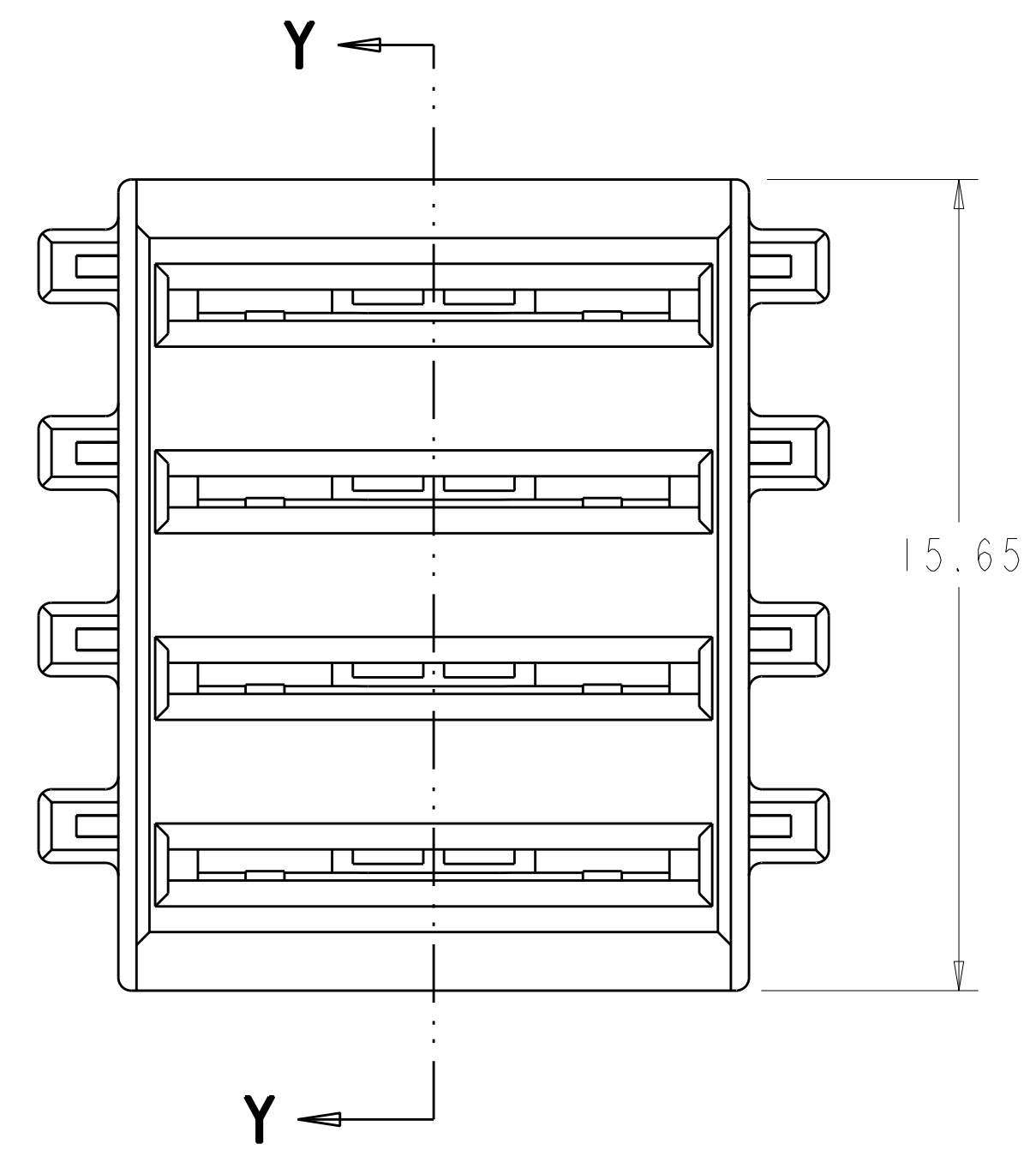
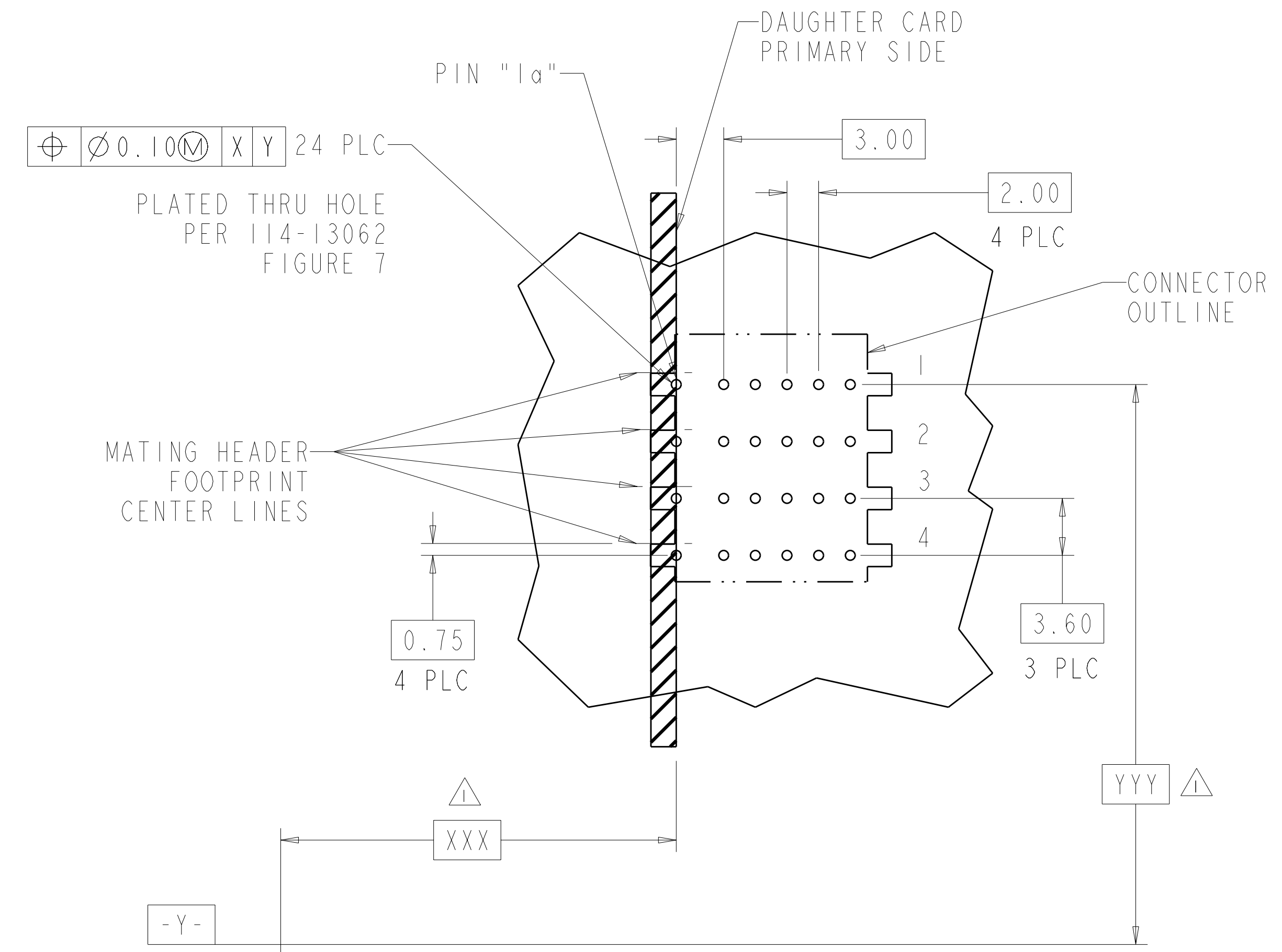
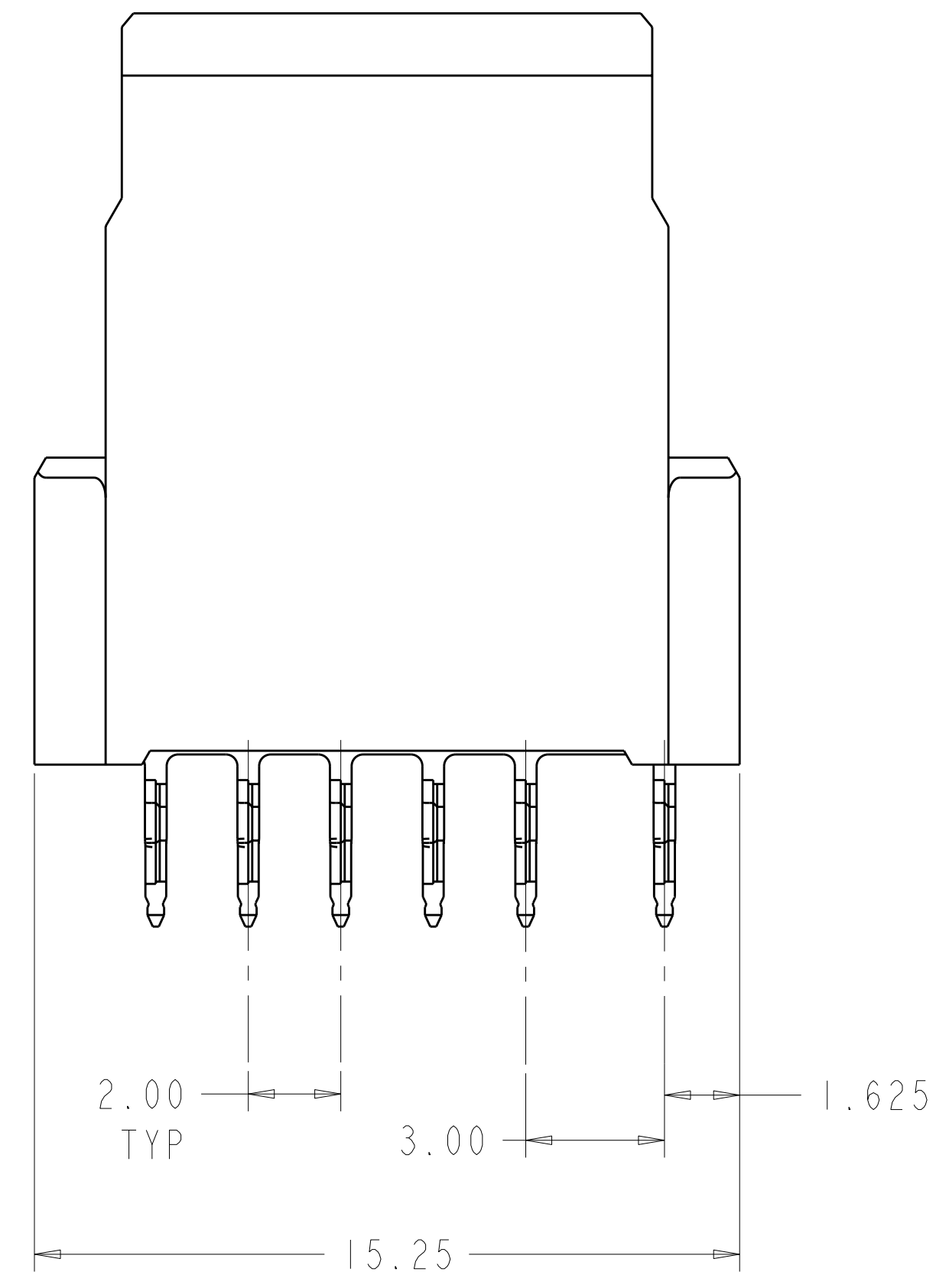


LOC	DIST	REV	DATE	BY	APPD
AD	00	A2	24APR2012	KH	AS
		REVISIONS			
		DESCRIPTION	DATE	DWN	APPD
		REVISED PER ECO-12-001132	24APR2012	KH	AS



SCALE 4:1



RECOMMENDED PCB HOLE LAYOUT
 BACKPLANE
 PRIMARY SIDE
 SCALE 4:1

- △ DIMENSIONS PER CUSTOMER BOARD LAYOUT
- △ FINISH: 1.27μm MIN GOLD IN CONTACT AREA, 1.27μm MIN TIN-LEAD ON PCB TAIL, OVER 1.27μm MIN NICKEL OVER ALL.
- △ FINISH: 1.27μm MIN GOLD IN CONTACT AREA, 1.27μm MIN TIN ON PCB TAIL, OVER 1.27μm MIN NICKEL OVER ALL.
- 4. HOUSING: LCP, UL94V-0, BLACK
 CONTACT: PHOSPHOR BRONZE

△	1410270-2
△	1410270-1
PLATING	PART NUMBER

THIS DRAWING IS A CONTROLLED DOCUMENT.

DIMENSIONS:	TOLERANCES UNLESS OTHERWISE SPECIFIED:	DWN	L. A. MAYER	09SEP2000
mm	9 PLC ±0.3	CHK	S. WELLER	09SEP2000
	3 PLC ±0.25	APPD	S. FLICKINGER	09SEP2000
	5 PLC ±0.25	PRODUCT SPEC		
	4 PLC ±0.25	APPLICATION SPEC		
	ANGLES ±1°	WEIGHT		
MATERIAL	FINISH	CUSTOMER DRAWING		

NAME: ASSEMBLY, POWER, VERTICAL RECEPTACLE, 4 CAVITY, 20.3mm, MULTIGIG

SIZE: A1 CAGE CODE: 00779 DRAWING NO: 1410270 RESTRICTED TO: -

SCALE: 8:1 SHEET: 1 OF 1 REV: A2

X-ON Electronics

Largest Supplier of Electrical and Electronic Components

Click to view similar products for [High Speed/Modular Connectors](#) category:

Click to view products by [TE Connectivity](#) manufacturer:

Other Similar products are found below :

[650827-1](#) [74040-1346](#) [1410191-1](#) [1410368-3](#) [1410964-2](#) [1410326-3](#) [1410367-3](#) [1410971-4](#) [1467833-1](#) [2000877-1](#) [2000878-1](#) [2041314-1](#)
[2065387-1](#) [2187307-1](#) [163P](#) [1934290-1](#) [2000875-1](#) [2065917-1](#) [2102736-2](#) [FSR-40](#) [2169868-2](#) [22354-8](#) [437-5040-000](#) [5-1393565-0](#) [039-](#)
[0246-000](#) [0740618502](#) [0761601016](#) [0784461022](#) [10123159-12ELF](#) [030-2415-003/100 PK](#) [030-7380-004](#) [030-2494-001](#) [532939-1](#) [5532901-](#)
[3](#) [3-1469268-7](#) [74748-102LF](#) [10041743-101LF](#) [10066670-100002LF](#) [1-533915-1](#) [249-4515-000](#) [7-1469373-3](#) [DL2-2J/S](#) [2000713-8](#)
[2000713-7](#) [10124313-101LF](#) [3011-21](#) [757105208](#) [430305-001](#) [4395800100](#) [8140115](#)