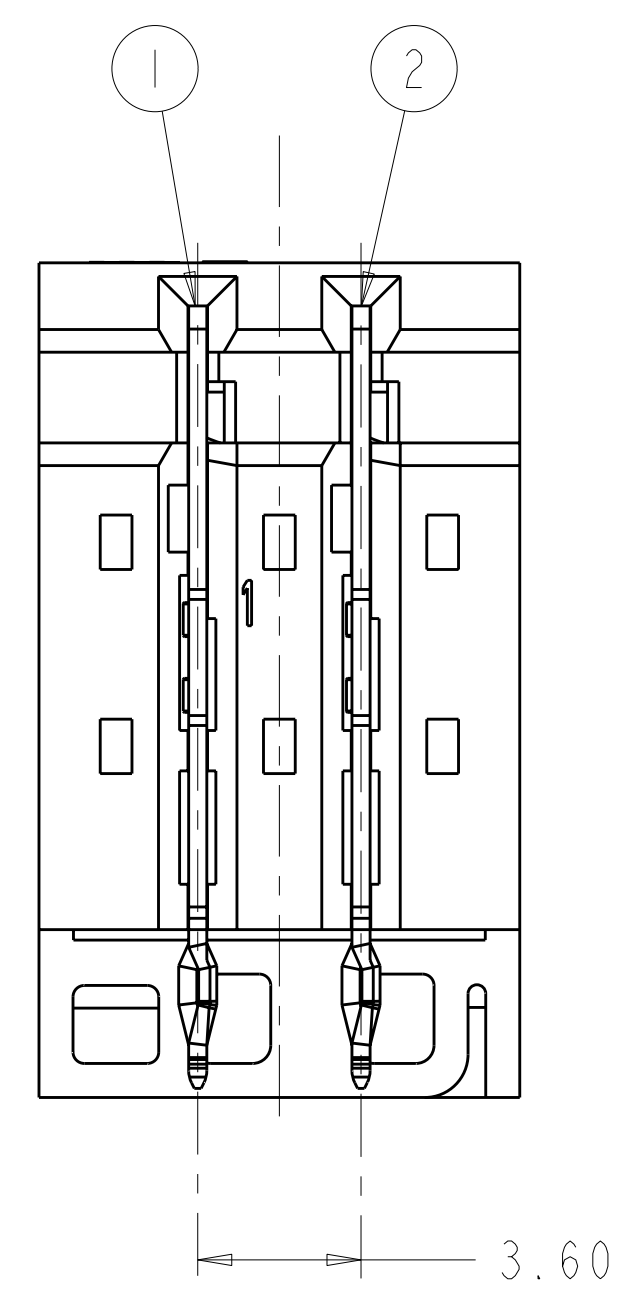
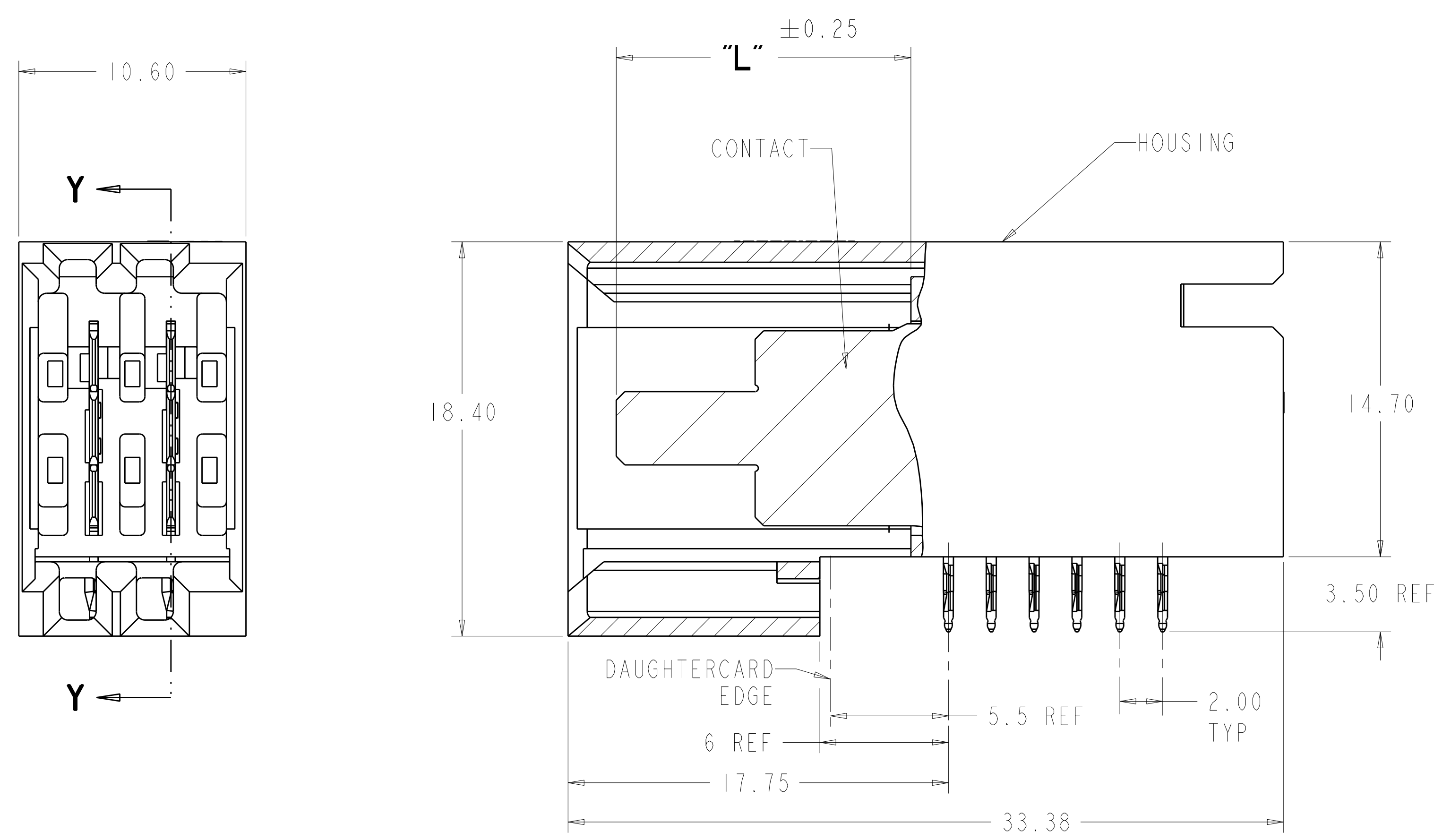
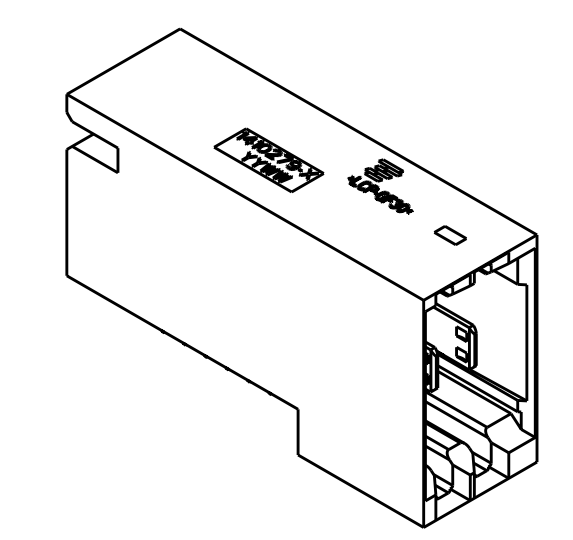


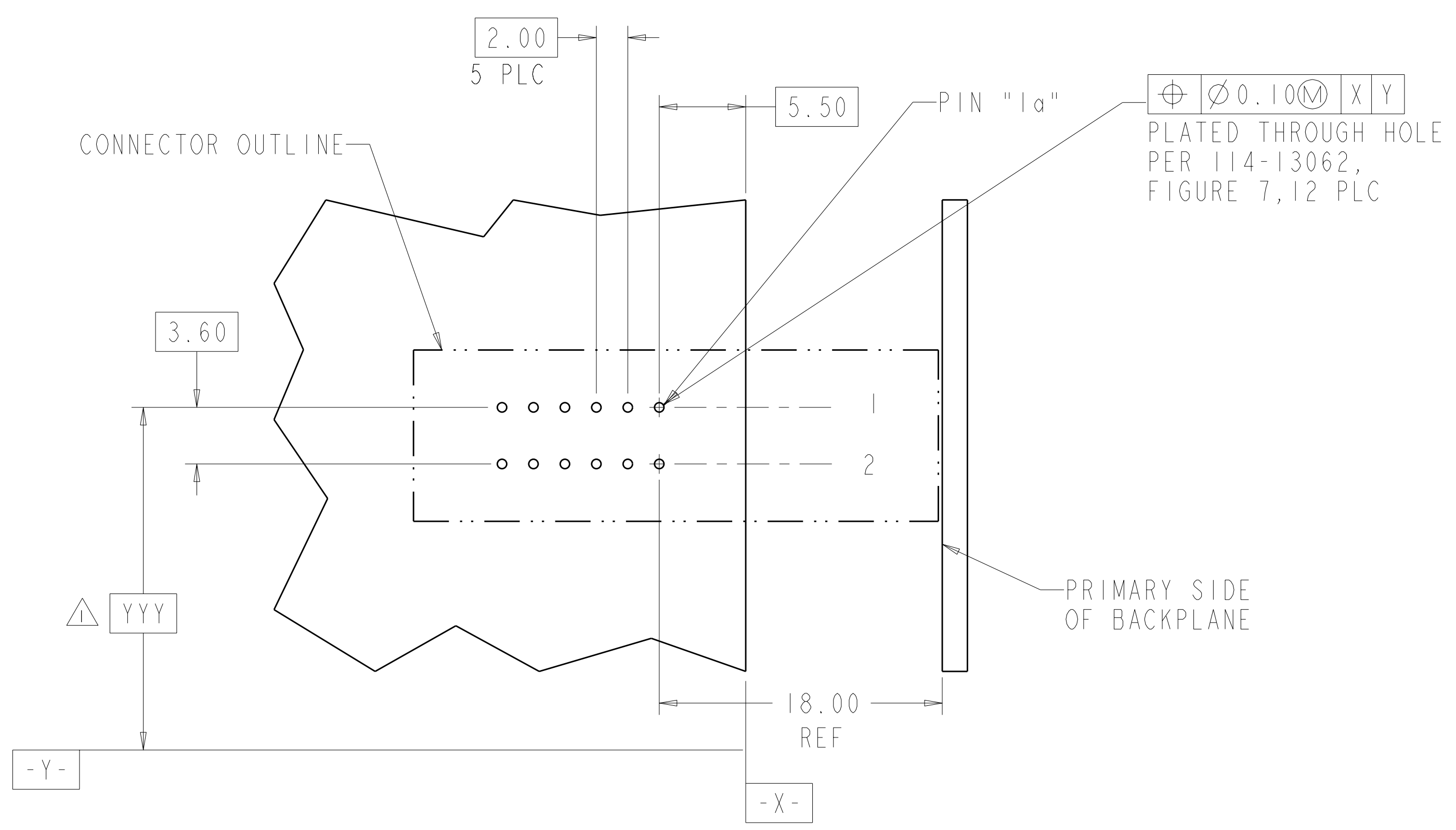
LOC	DIST	REV	DATE	BY	APPD
AD	00				
		A3	24APR2012	KH	AS



- △ DIMENSIONS PER CUSTOMER BOARD LAYOUT
- △ FINISH: 1.27μM MIN GOLD IN CONTACT AREA, 1.27μM MIN TIN-LEAD ON PCB TAIL, OVER 1.27μM MIN NICKEL OVER ALL.
- △ HOUSING: LCP, UL94V-0, BLACK CONTACT: PHOSPHOR BRONZE
- △ FINISH: 1.27 μm MIN GOLD IN CONTACT AREA, 1.27 μm MIN TIN ON PCB TAIL, OVER 1.27 μm MIN NICKEL OVER ALL.
- △ OBSOLETE PARTS: OBSOLETE CIS STREAMLINING PER D.RENAUD/D.SINISI



SCALE 2:1



RECOMMENDED PCB HOLE LAYOUT DAUGHTER CARD PRIMARY SIDE SCALE 4:1

- △ SUPERSEDED BY 1-1410279-2
- △ SUPERSEDED BY 1-1410279-0
- △ SUPERSEDED BY 1410279-9

FINISH	CIRCUIT ID #2 "L"	CIRCUIT ID #1 "L"	PART NUMBER
△	12.25	12.25	1-1410279-2
	10.75	12.25	1-1410279-1
	10.75	10.75	1-1410279-0
	10.75	13.75	1410279-9
	12.25	13.75	1410279-8
	13.75	13.75	1410279-7
△	12.25	12.25	+410279-6
	10.75	12.25	1410279-5
	10.75	10.75	+410279-4
	10.75	13.75	+410279-3
	12.25	13.75	1410279-2
	13.75	13.75	1410279-1

THIS DRAWING IS A CONTROLLED DOCUMENT.

DIMENSIONS:	TOLERANCES UNLESS OTHERWISE SPECIFIED:	DWN S.WELLER 02NOV2000	CHK S.WELLER 02NOV2000	APVD D.HELSTER 02NOV2000	NAME
mm	0 PLC ± .3 1 PLC ± 0.3 2 PLC ± 0.25 3 PLC ± .3 4 PLC ± .3 ANGLES ± .1°	PRODUCT SPEC	108-2062	APPLICATION SPEC	ASSEMBLY, POWER, RIGHT ANGLE HEADER, 2 CAVITY, 20.3mm MULTIGIG
MATERIAL	FINISH	114-13062	WEIGHT	SIZE CAGE CODE DRAWING NO	RESTRICTED TO
				A1 00779 C=1410279	

CUSTOMER DRAWING SCALE 6:1 SHEET 1 OF 1 REV A3

## X-ON Electronics

Largest Supplier of Electrical and Electronic Components

*Click to view similar products for [High Speed/Modular Connectors](#) category:*

*Click to view products by [TE Connectivity](#) manufacturer:*

Other Similar products are found below :

[650827-1](#) [74040-1346](#) [1410191-1](#) [1410368-3](#) [1410964-2](#) [1410326-3](#) [1410367-3](#) [1410971-4](#) [1467833-1](#) [2000877-1](#) [2000878-1](#) [2041314-1](#)  
[2065387-1](#) [2187307-1](#) [163P](#) [1934290-1](#) [2000875-1](#) [2065917-1](#) [2102736-2](#) [FSR-40](#) [2169868-2](#) [22354-8](#) [437-5040-000](#) [5-1393565-0](#) [039-](#)  
[0246-000](#) [0761601016](#) [0784461022](#) [10123159-12ELF](#) [030-2415-003/100 PK](#) [030-7380-004](#) [030-2494-001](#) [532939-1](#) [5532901-3](#) [3-1469268-](#)  
[7](#) [74748-102LF](#) [73670-0247](#) [10041743-101LF](#) [10066670-100002LF](#) [1-533915-1](#) [249-4515-000](#) [7-1469373-3](#) [DL2-2J/S](#) [2000713-8](#)  
[2000713-7](#) [10124313-101LF](#) [3011-21](#) [757105208](#) [EBTF-4-10-2.0-S-RA-1](#) [430305-001](#) [4395800100](#)