

4

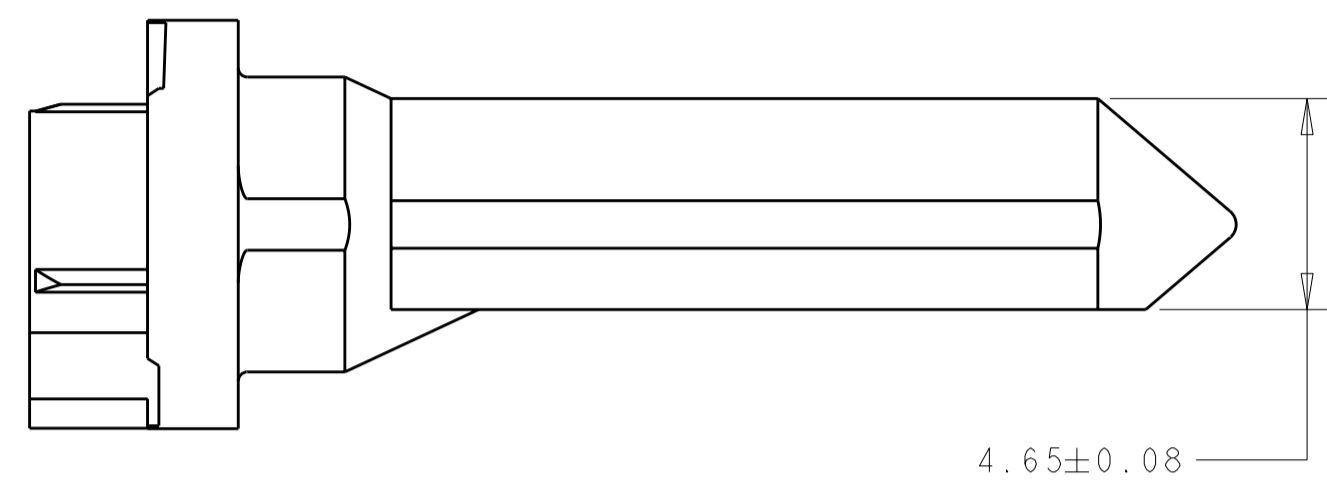
3

2

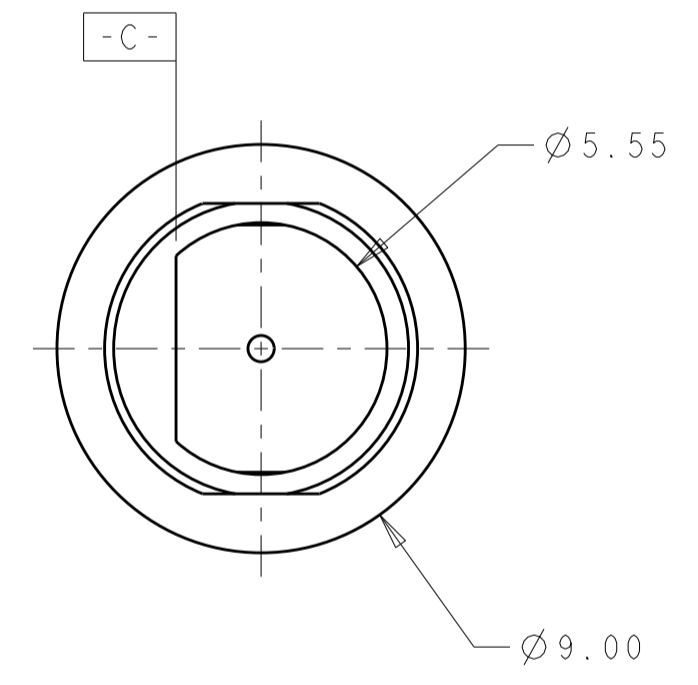
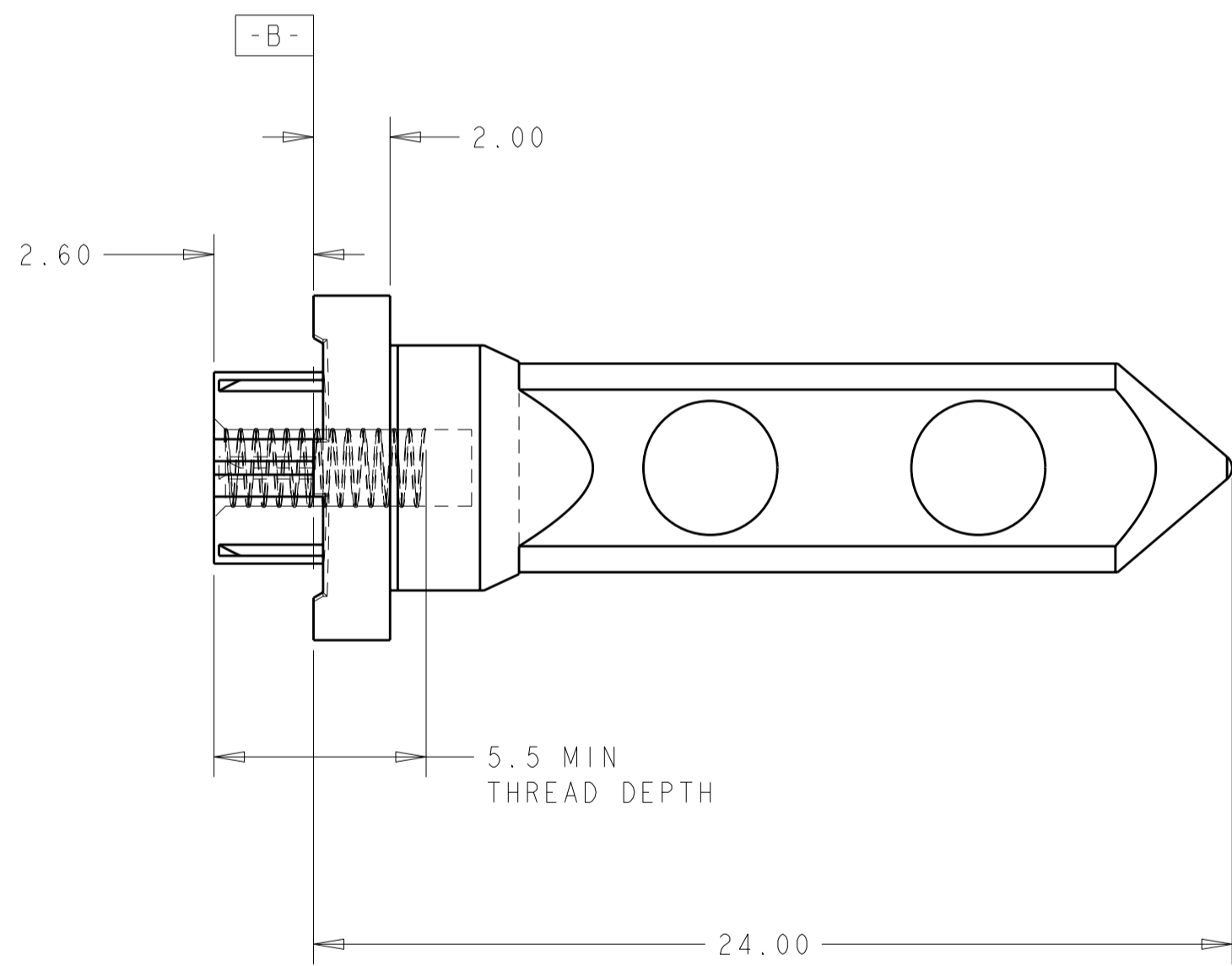
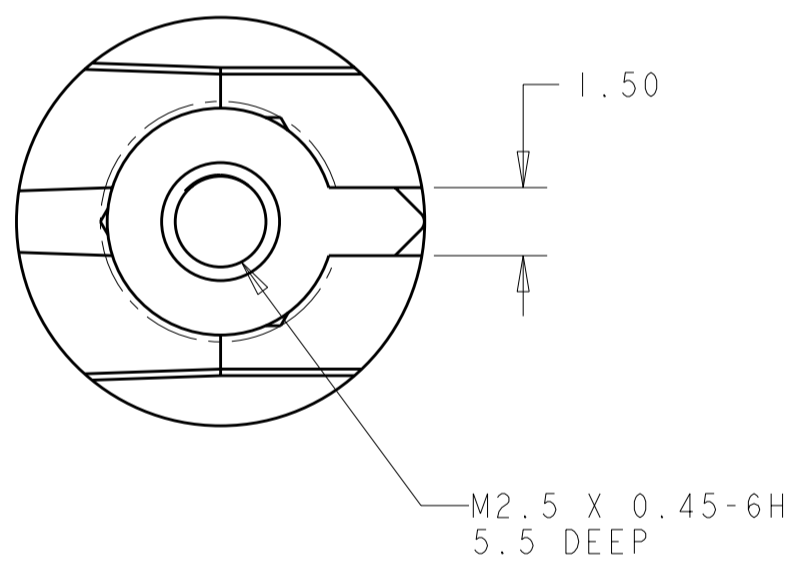
1

THIS DRAWING IS UNPUBLISHED. RELEASED FOR PUBLICATION 20
 © COPYRIGHT 20 BY TYCO ELECTRONICS CORPORATION. ALL RIGHTS RESERVED.

LOC	DIST	REVISIONS			
P	LTR	DESCRIPTION	DATE	DWN	APVD
AD	00	A	RELEASED PER RTS 265264.2	22JUNE2010	DH AS



- ① MATERIAL: ZINC ALLOY
- ② FINISH:
3.81µm MINIMUM SILVER IN CONTACT AREA
OVER NICKEL OVER COPPER ALL OVER
- ③ KEY HOLE ORIENTATION (DIM A) PER MATING
GUIDE MODULE PART NUMBER TABLE
(ORIENTATION SHOWN ON PCB LAYOUT IS FOR 1-1469492-2)
- ④ ANNULAR RING PLATED AROUND GUIDE PIN MOUNTING
HOLE ON TOP AND BOTTOM SIDE OF BOARD

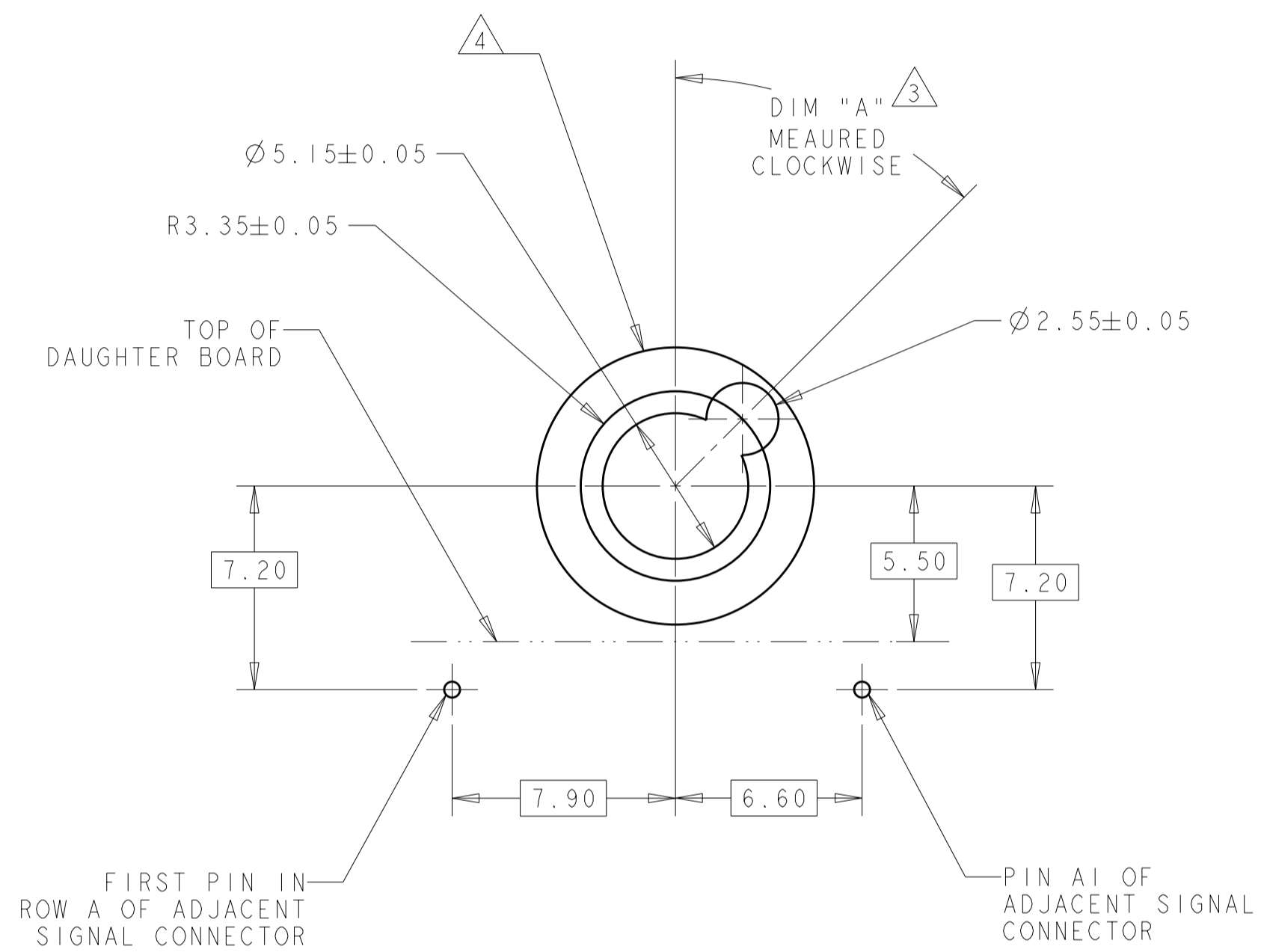


1410336-2
PART NUMBER

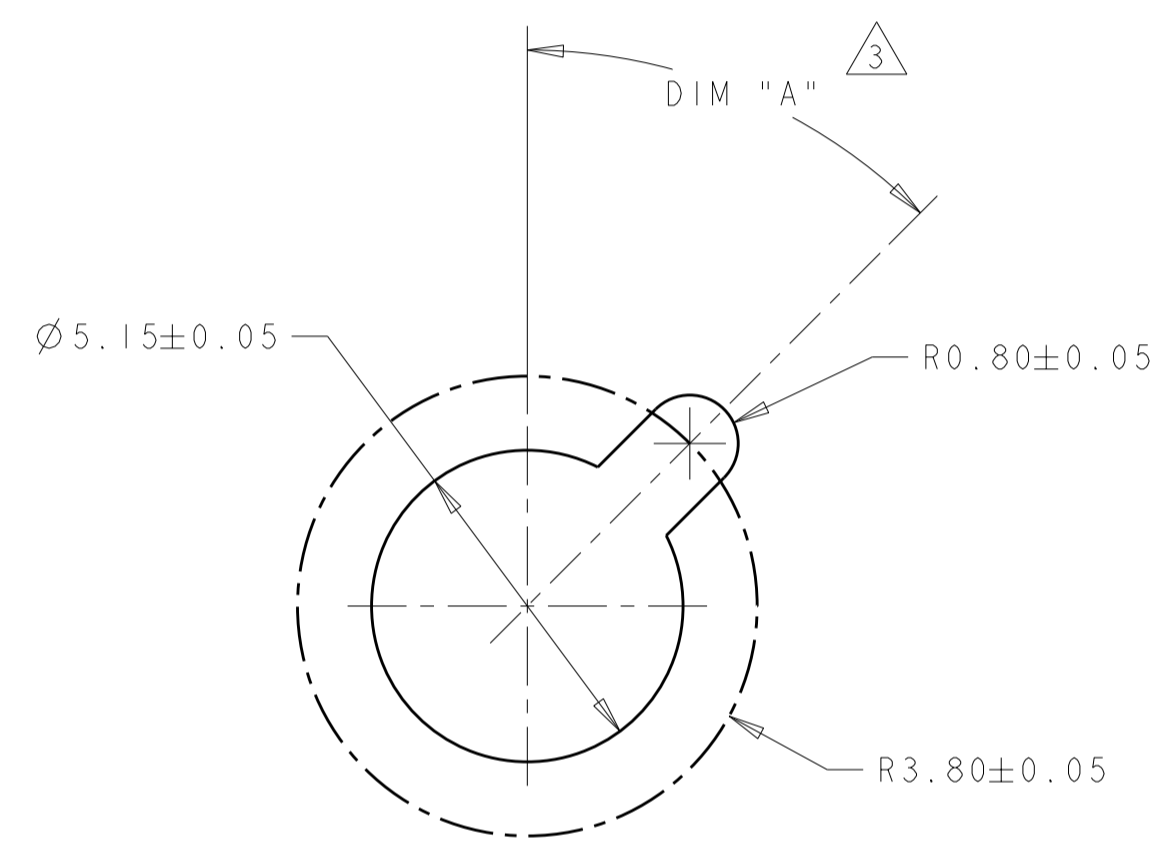
THIS DRAWING IS A CONTROLLED DOCUMENT FOR TYCO ELECTRONICS CORPORATION IT IS SUBJECT TO CHANGE AND THE CONTROLLING ENGINEERING ORGANIZATION SHOULD BE CONTACTED FOR THE LATEST REVISION.		DWN D. HUMBERT 17 JUNE 2010	Tyco Electronics Harrisburg, PA 17105-3608	
DIMENSIONS: mm		CHK A. SHARPE 17 JUNE 2010	NAME KEYED GUIDE PIN, DIE CAST BACKPLANE CONNECTOR MULTIGIG, INTERNALLY THREADED	
TOLERANCES UNLESS OTHERWISE SPECIFIED:		APVD A. SHARPE 17 JUNE 2010	SIZE A200779	
0 PLC ±-		PRODUCT SPEC	DRAWING NO C-1410336	
1 PLC ±-		APPLICATION SPEC	RESTRICTED TO	
2 PLC ±0.13		WEIGHT	-	
3 PLC ±0.013		CUSTOMER DRAWING		
4 PLC ±-		SCALE 8:1 SHEET 1 OF 2 REV A		
ANGLES ±2°				
FINISH				

THIS DRAWING IS UNPUBLISHED. RELEASED FOR PUBLICATION 20
 © COPYRIGHT 20 BY TYCO ELECTRONICS CORPORATION. ALL RIGHTS RESERVED.

LOC	DIST	REVISIONS			
P	LTR	DESCRIPTION	DATE	DWN	APVD
AD	00	-	SEE SHEET 1	-	-



TIER 2
 GUIDE PIN FOOTPRINT
 (20.3mm SIGNAL MODULES)



ALTERNATE PCB LAYOUT
 FOR GUIDE PIN

-	1-1469492-9
315°	1-1469492-8
270°	1-1469492-7
90°	1-1469492-3
45°	1-1469492-2
0°	1-1469492-1
DIM " A "	20.3mm GUIDE MODULE
MATING GUIDE MODULE ³	

THIS DRAWING IS A CONTROLLED DOCUMENT FOR TYCO ELECTRONICS CORPORATION. IT IS SUBJECT TO CHANGE AND THE CONTROLLING ENGINEERING ORGANIZATION SHOULD BE CONTACTED FOR THE LATEST REVISION.		DWN D. HUMBERT 17 JUNE 2010	Tyco Electronics Harrisburg, PA 17105-3608	
DIMENSIONS: mm		CHK A. SHARPE 17 JUNE 2010	NAME KEYED GUIDE PIN, DIE CAST BACKPLANE CONNECTOR MULTIGIG, INTERNALLY THREADED	
TOLERANCES UNLESS OTHERWISE SPECIFIED: 0 PLC ±- 1 PLC ±- 2 PLC ±0.13 3 PLC ±0.013 4 PLC ±- ANGLES ±2° FINISH		APVD A. SHARPE 17 JUNE 2010	RESTRICTED TO -	
MATERIAL -		PRODUCT SPEC -	SIZE A200779	DRAWING NO C-1410336
		APPLICATION SPEC -	SCALE 8:1 SHEET 2 OF 2 REV A	
		WEIGHT -	CUSTOMER DRAWING	

X-ON Electronics

Largest Supplier of Electrical and Electronic Components

Click to view similar products for [High Speed/Modular Connectors](#) category:

Click to view products by [TE Connectivity](#) manufacturer:

Other Similar products are found below :

[650827-1](#) [74040-1346](#) [1410191-1](#) [1410368-3](#) [1410964-2](#) [1410326-3](#) [1410367-3](#) [1410971-4](#) [1467833-1](#) [2000877-1](#) [2000878-1](#) [2041314-1](#)
[2065387-1](#) [2187307-1](#) [163P](#) [1934290-1](#) [2000875-1](#) [2065917-1](#) [2102736-2](#) [FSR-40](#) [2169868-2](#) [22354-8](#) [437-5040-000](#) [5-1393565-0](#) [039-](#)
[0246-000](#) [0761601016](#) [0784461022](#) [10123159-12ELF](#) [030-2415-003/100 PK](#) [030-7380-004](#) [030-2494-001](#) [532939-1](#) [5532901-3](#) [3-1469268-](#)
[7](#) [74748-102LF](#) [10041743-101LF](#) [10066670-100002LF](#) [1-533915-1](#) [249-4515-000](#) [7-1469373-3](#) [DL2-2J/S](#) [2000713-8](#) [2000713-7](#)
[10124313-101LF](#) [3011-21](#) [757105208](#) [430305-001](#) [4395800100](#) [8140115](#) [1934937-1](#)