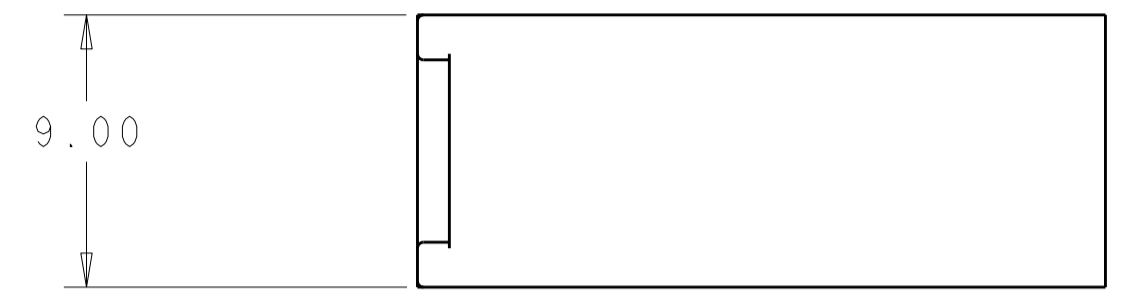
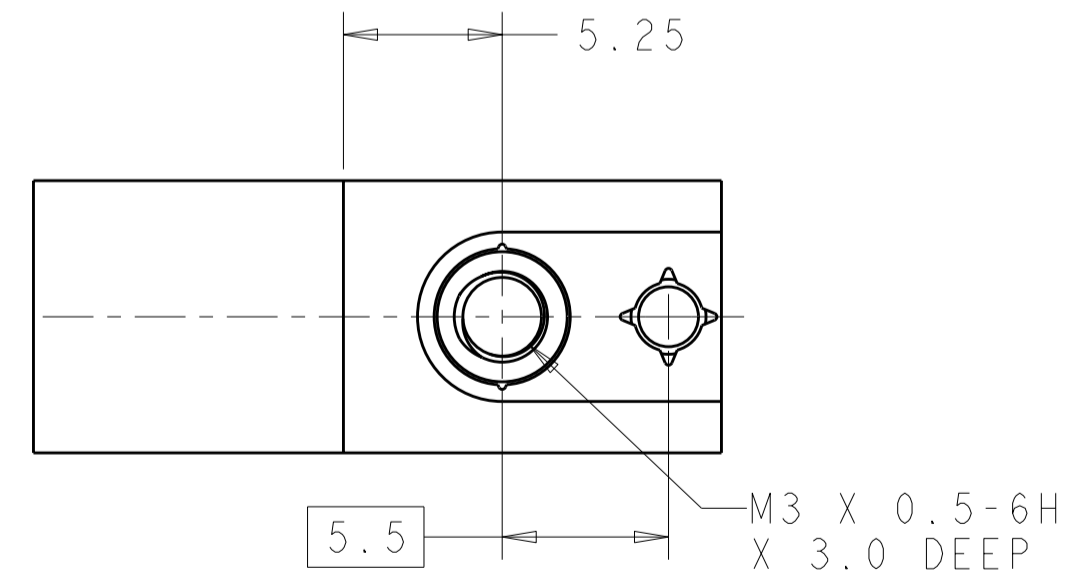
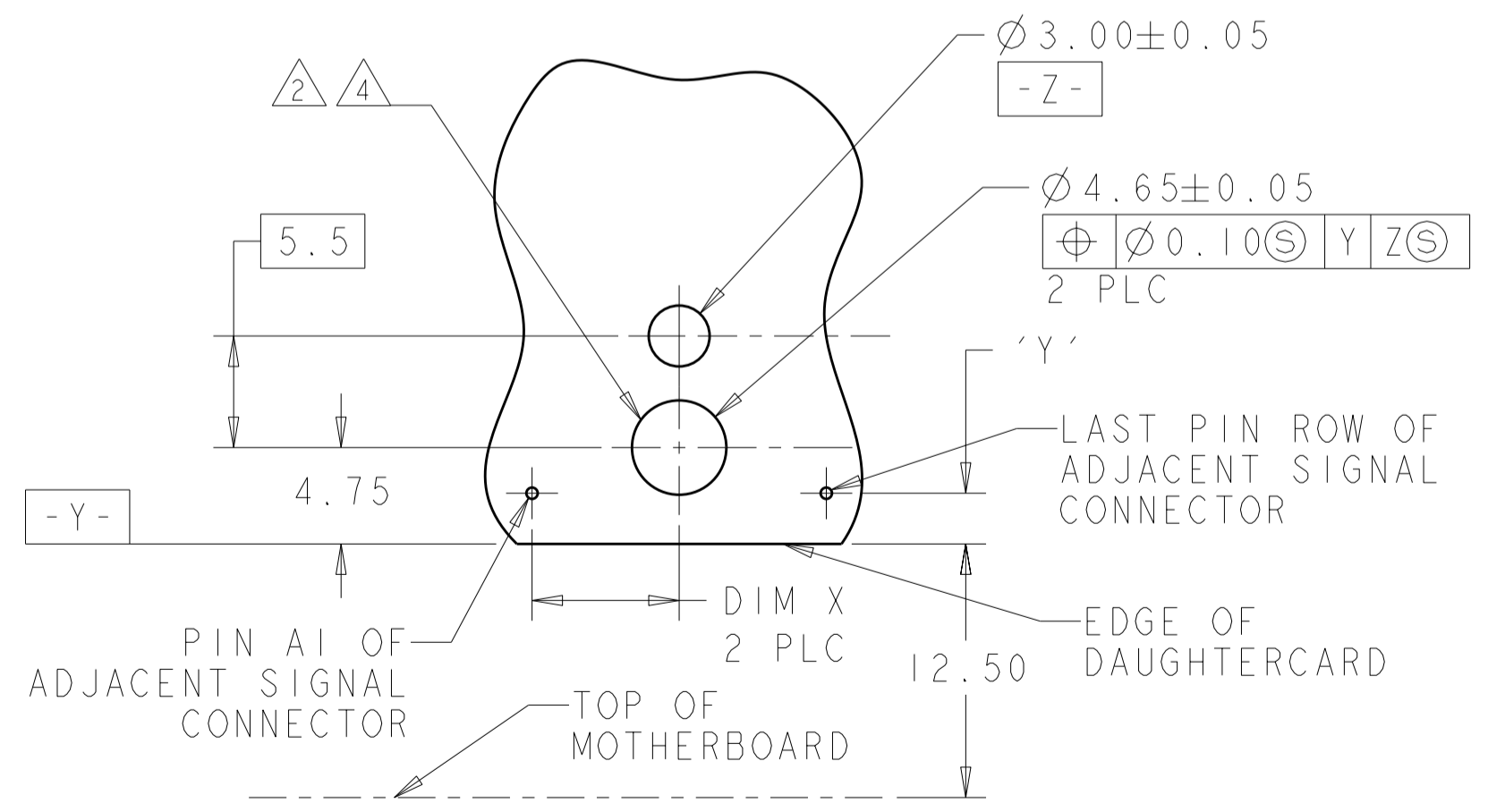
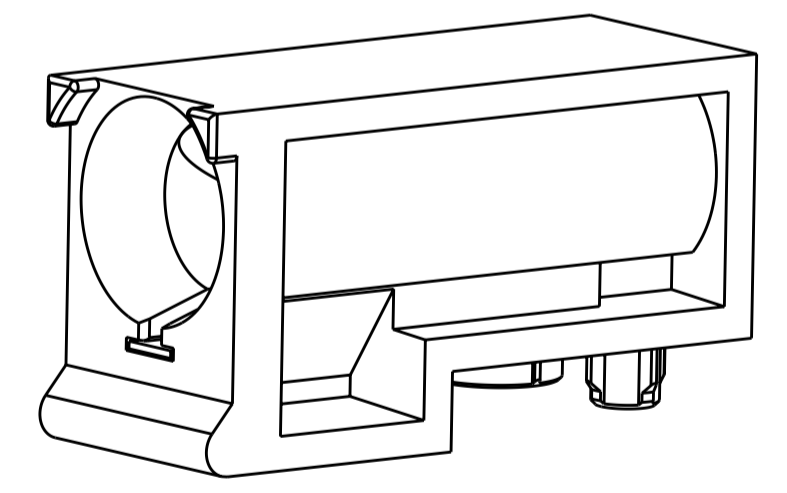
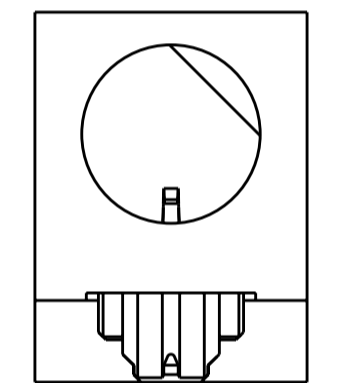
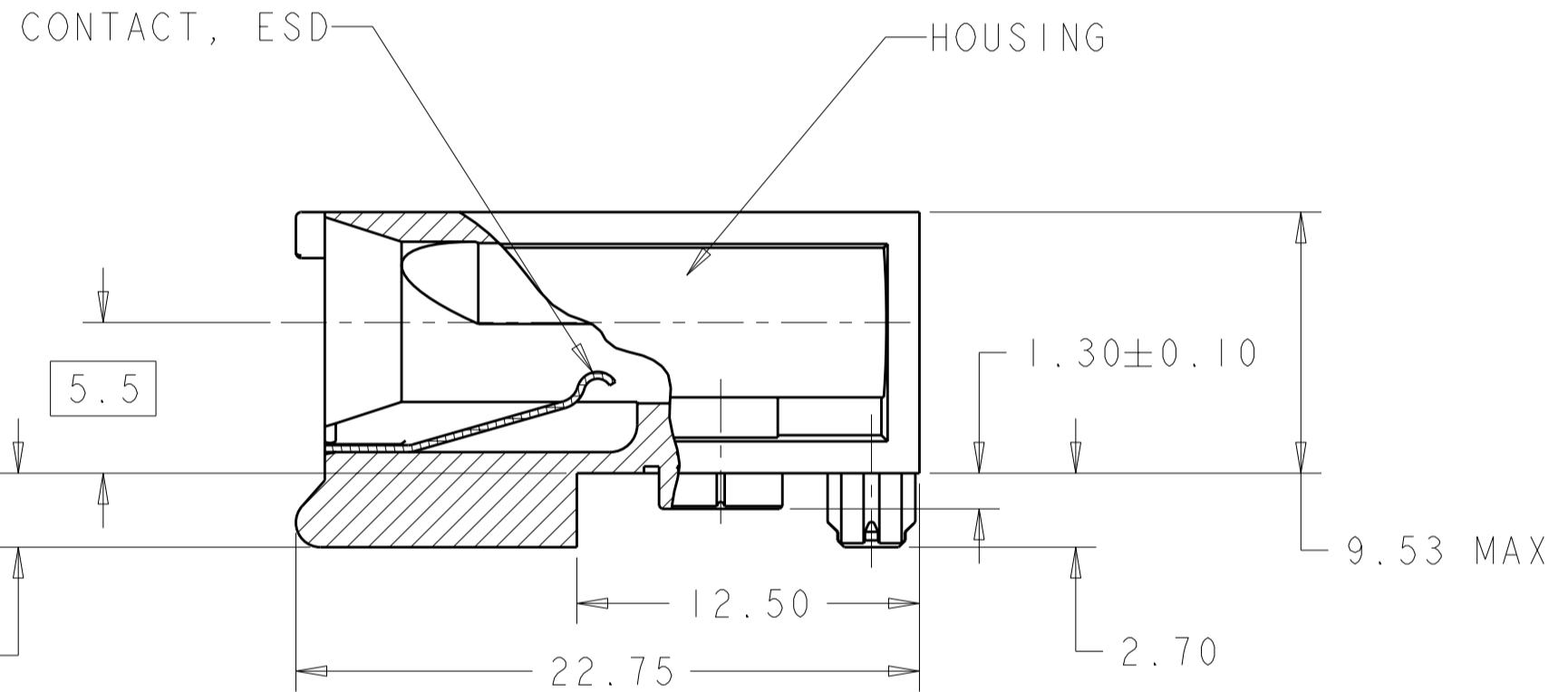
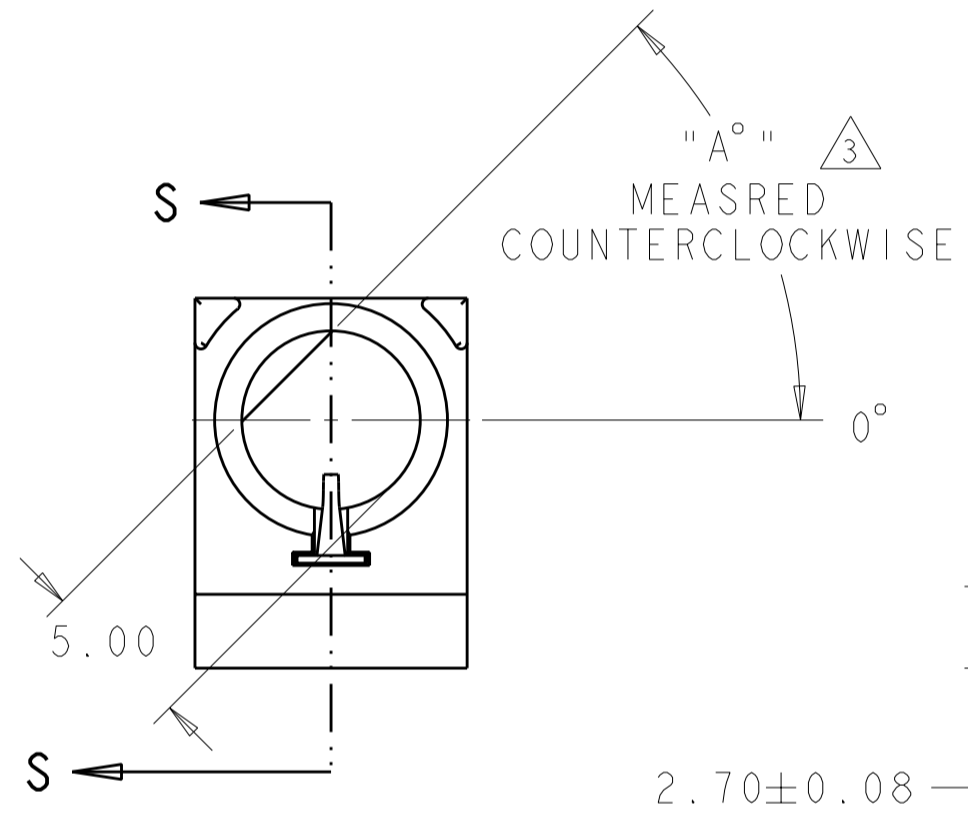


LOC	DIST	REVISIONS			
P	LTR	DESCRIPTION	DATE	DWN	APVD
AD	00	A	RELEASED PER RTS 359806.1	04AUG2010	WS RP

PART NO.	"A" °	HOUSING	CONTACT
1410338-1	0°	△5	△6
1410338-2	45°	△5	△6
1410338-3	90°	△5	△6
1410338-4	270°	△5	△6
1410338-5	315°	△5	△6
1410338-6	△7	△5	△6



- 1 MATERIAL: HOUSING: ZINC ALLOY DIE CASTING, ZAMAK 3; CONTACT: PHOSPHOR BRONZE
- 2 HOLE FOR POSITIVE RETENTION SCREW.
- 3 DASH NUMBERS INDICATE KEY ORIENTATION (P/N 1410338-2 SHOWN ON DRAWING)
- 4 GROUND PAD Ø5mm ON BOTH SIDE OF PCB.
- 5 FINISH: 3.0µm MIN NICKEL OVER COPPER
- 6 CONTACT FINISH: 1.27µm MINIMUM NICKEL ALL OVER
- 7 GUIDE MODULE W/O KEYING  
GUIDE PIN 1410337 SERIES MUST BE ORIENTED TO PROVIDE PROPER ESD PERFORMANCE



7.25	1410338
DIM X ADJACENT TO TIER 1 OR TIER 2 ASSEMBLY	PART NO

'Y'	PRODUCT
2.5	TIER 1
2.25	TIER 2
1.50	TIER 2 (7-ROW)

THIS DRAWING IS A CONTROLLED DOCUMENT FOR TYCO ELECTRONICS CORPORATION. IT IS SUBJECT TO CHANGE AND THE CONTROLLING ENGINEERING ORGANIZATION SHOULD BE CONTACTED FOR THE LATEST REVISION.

DIMENSIONS:	TOLERANCES UNLESS OTHERWISE SPECIFIED:	DWN	04AUG2010	Tyco Electronics Harrisburg, PA 17105-3608
mm	0 PLC ±0.5 1 PLC ±0.13 2 PLC ±0.1 3 PLC ±0.01 4 PLC ±0.0001 ANGLES ±	CHK	04AUG2010	
MATERIAL	FINISH	APVD	-	NAME
△1	△5 △6	PRODUCT SPEC	108-2072	MULTIGIG GUIDE MODULE/STANDOFF, RIGHT ANGLE, 20.3mm, DAUGHTERCARD
		APPLICATION SPEC	114-13056	SIZE
		WEIGHT	-	A2
		CUSTOMER DRAWING		CAGE CODE
				00779
				DRAWING NO
				1410338
				RESTRICTED TO
				-
				SCALE
				4:1
				SHEET
				OF
				REV
				A

## X-ON Electronics

Largest Supplier of Electrical and Electronic Components

*Click to view similar products for [High Speed/Modular Connectors](#) category:*

*Click to view products by [TE Connectivity](#) manufacturer:*

Other Similar products are found below :

[650827-1](#) [74040-1346](#) [1410191-1](#) [1410368-3](#) [1410964-2](#) [1410326-3](#) [1410367-3](#) [1410971-4](#) [1467833-1](#) [2000877-1](#) [2000878-1](#) [2041314-1](#)  
[2065387-1](#) [2187307-1](#) [163P](#) [1934290-1](#) [2000875-1](#) [2065917-1](#) [2102736-2](#) [FSR-40](#) [2169868-2](#) [22354-8](#) [437-5040-000](#) [5-1393565-0](#) [039-](#)  
[0246-000](#) [0740618502](#) [0761601016](#) [0784461022](#) [10123159-12ELF](#) [030-2415-003/100 PK](#) [030-7380-004](#) [030-2494-001](#) [532939-1](#) [5532901-](#)  
[3](#) [3-1469268-7](#) [74748-102LF](#) [10041743-101LF](#) [10066670-100002LF](#) [1-533915-1](#) [249-4515-000](#) [7-1469373-3](#) [DL2-2J/S](#) [2000713-8](#)  
[2000713-7](#) [10124313-101LF](#) [3011-21](#) [757105208](#) [430305-001](#) [4395800100](#) [8140115](#)