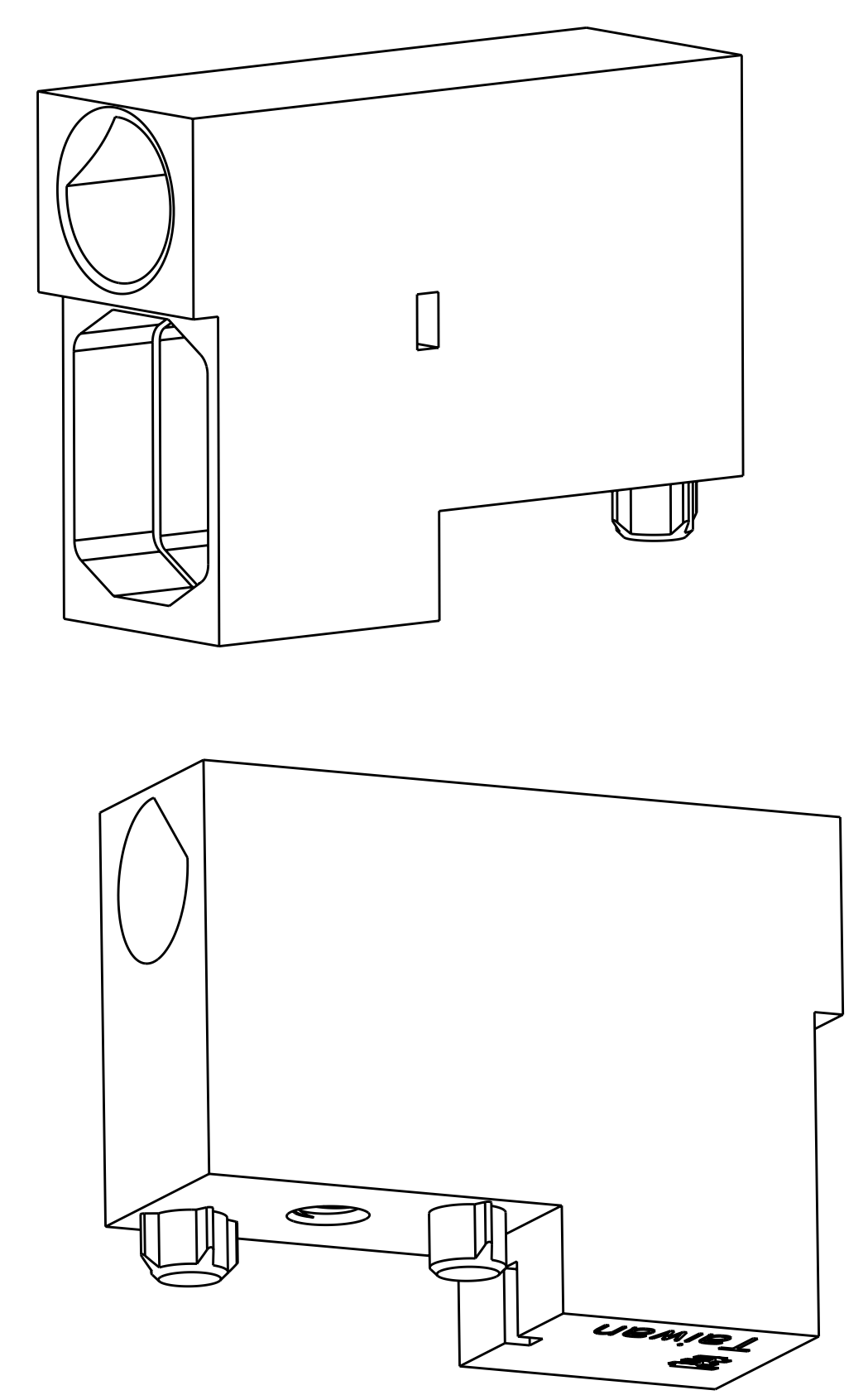
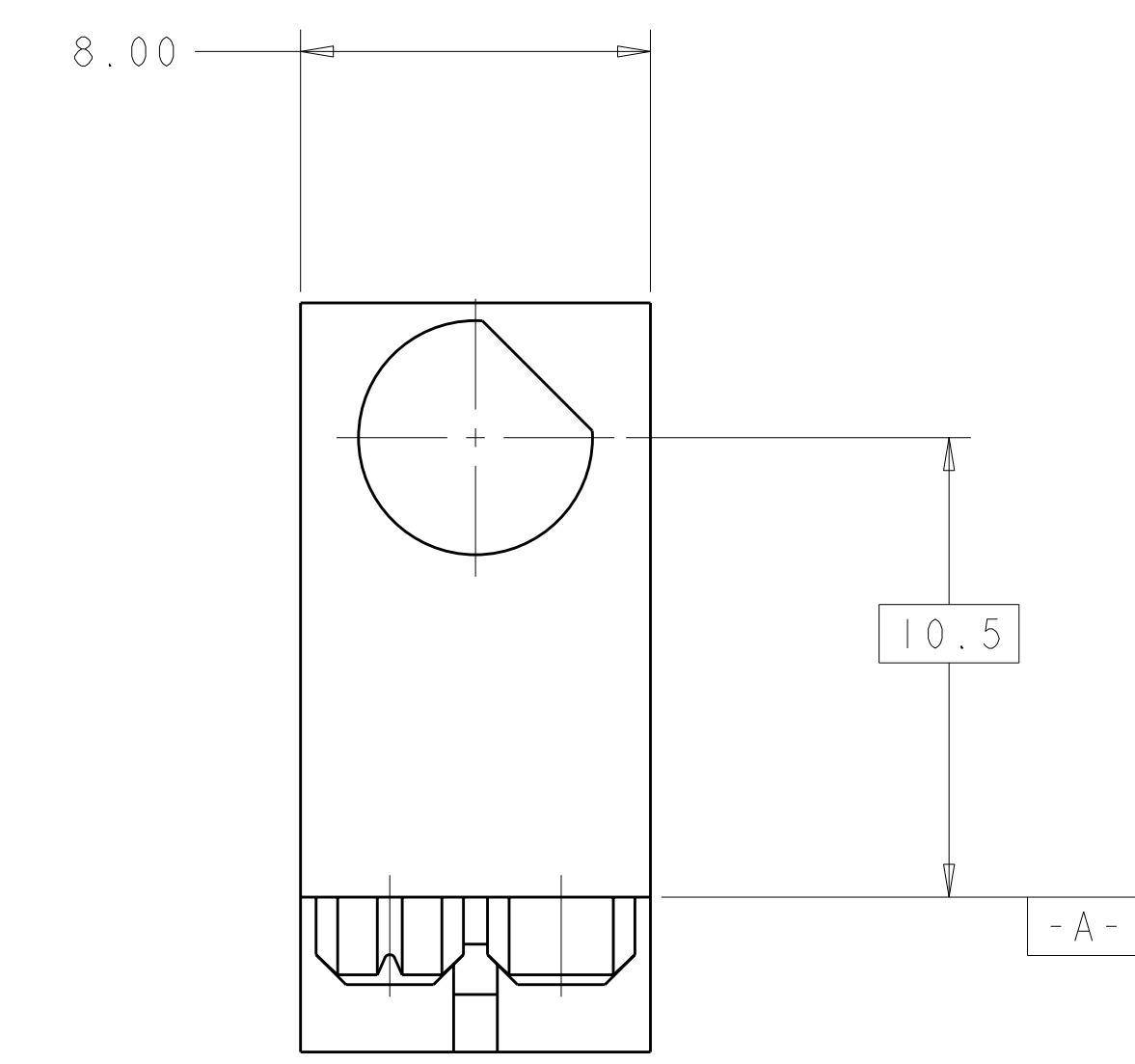
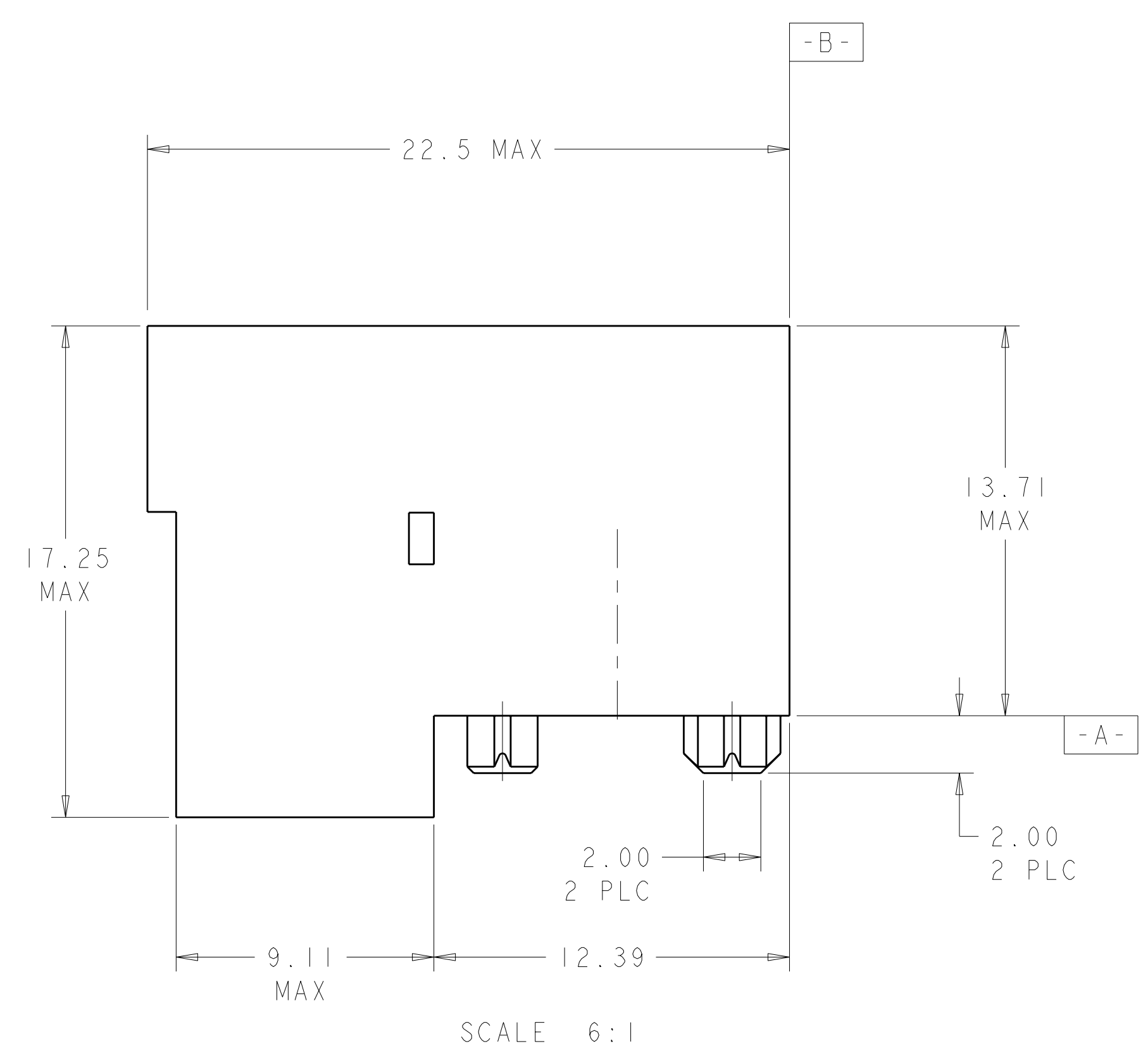
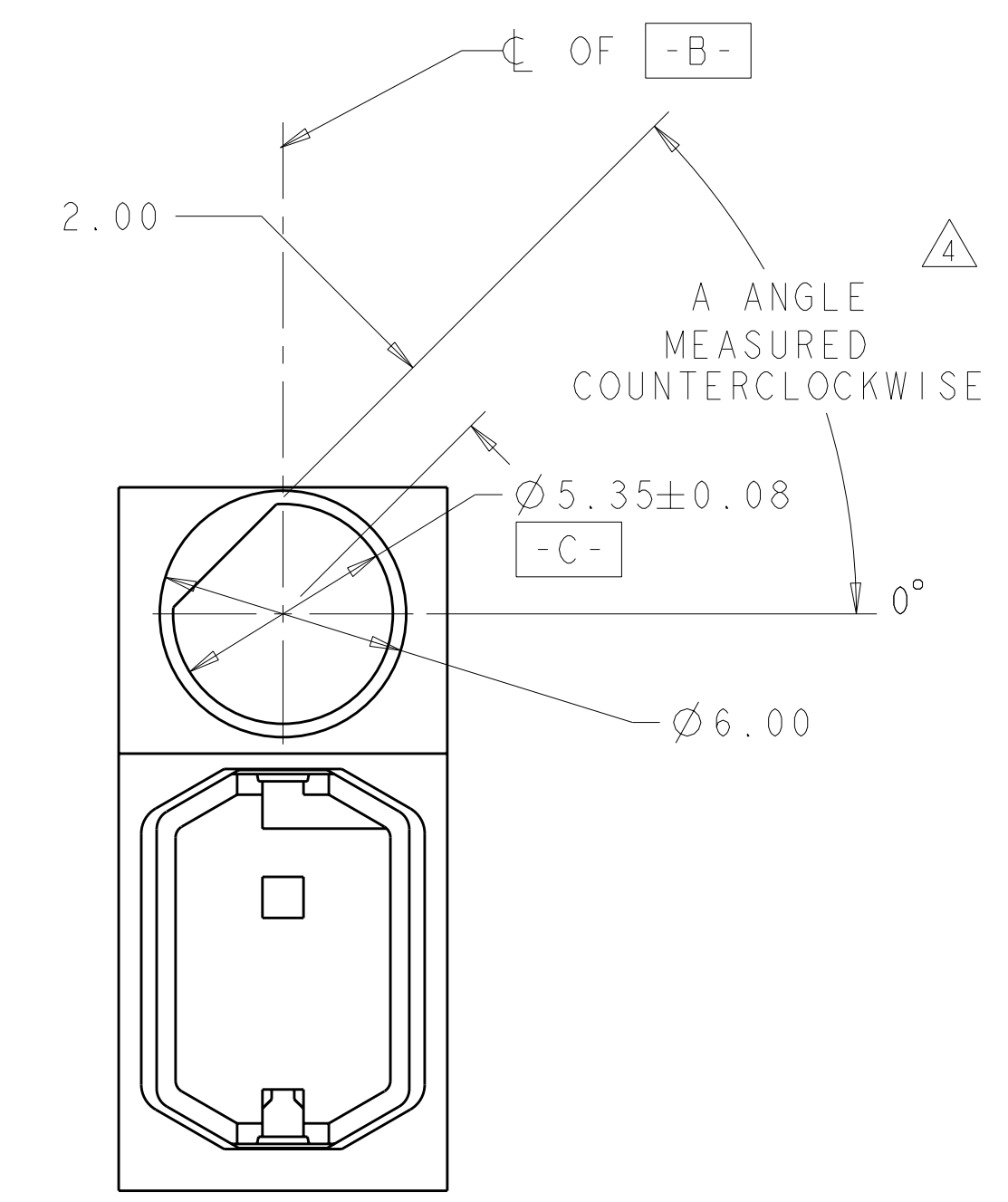
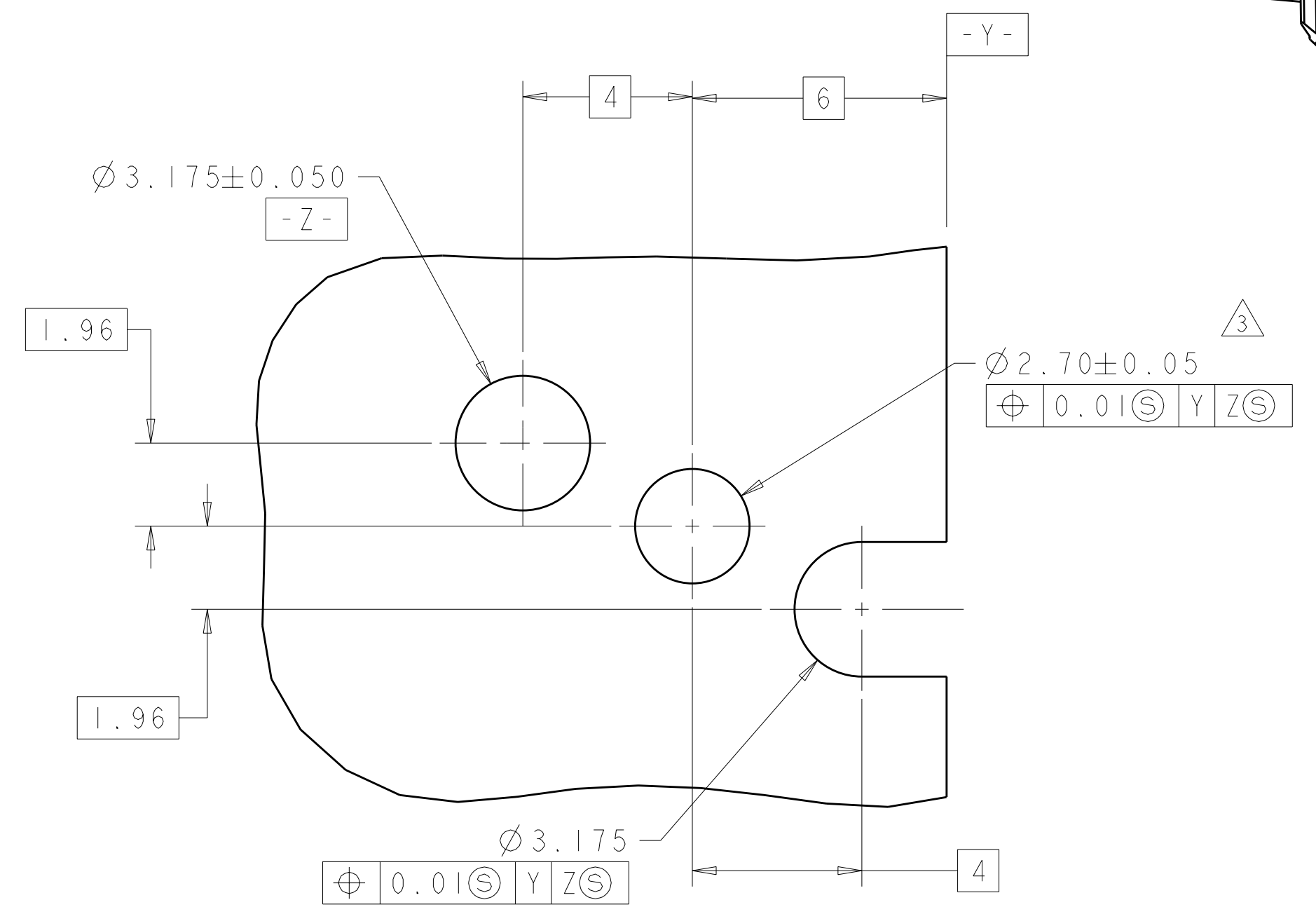
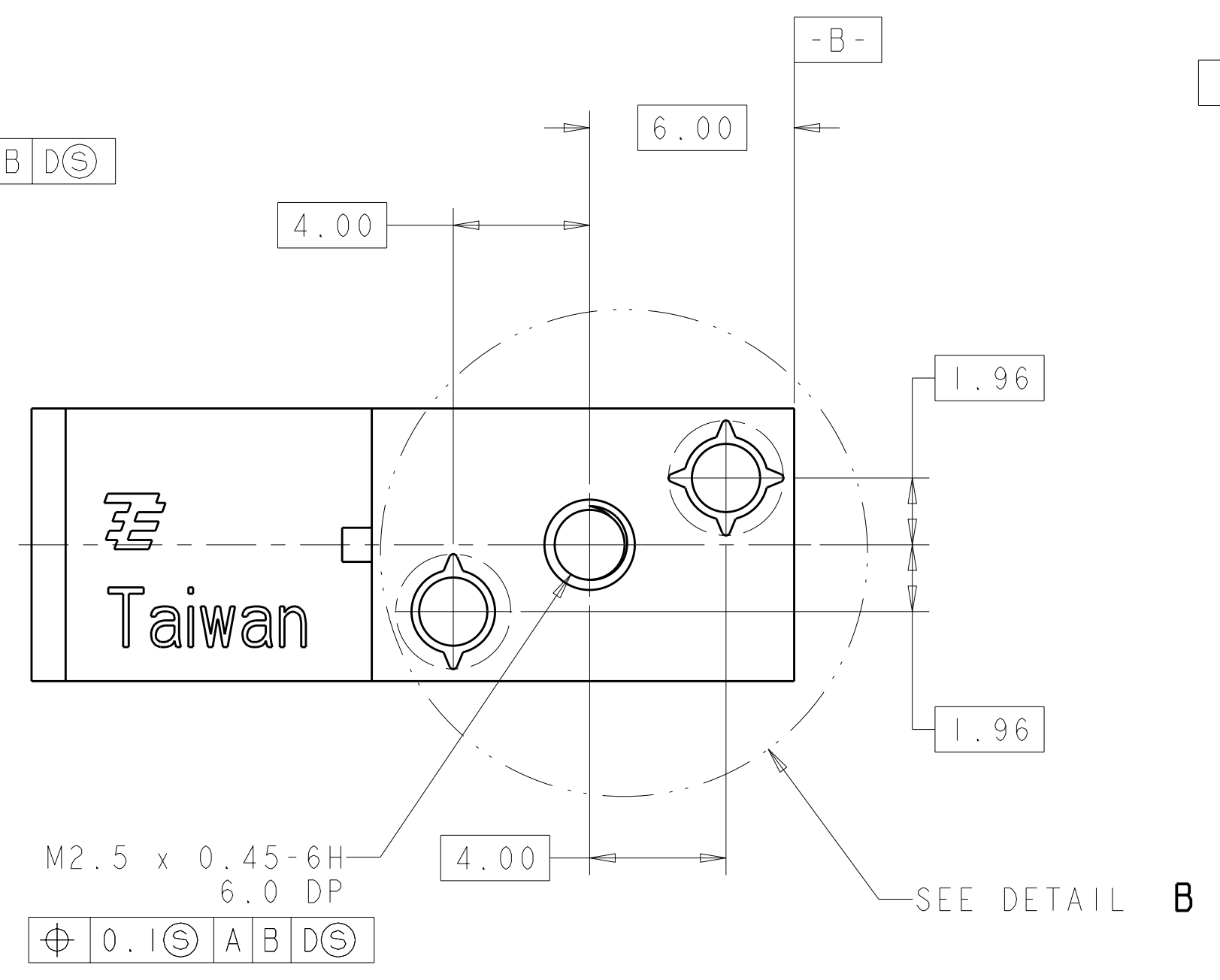
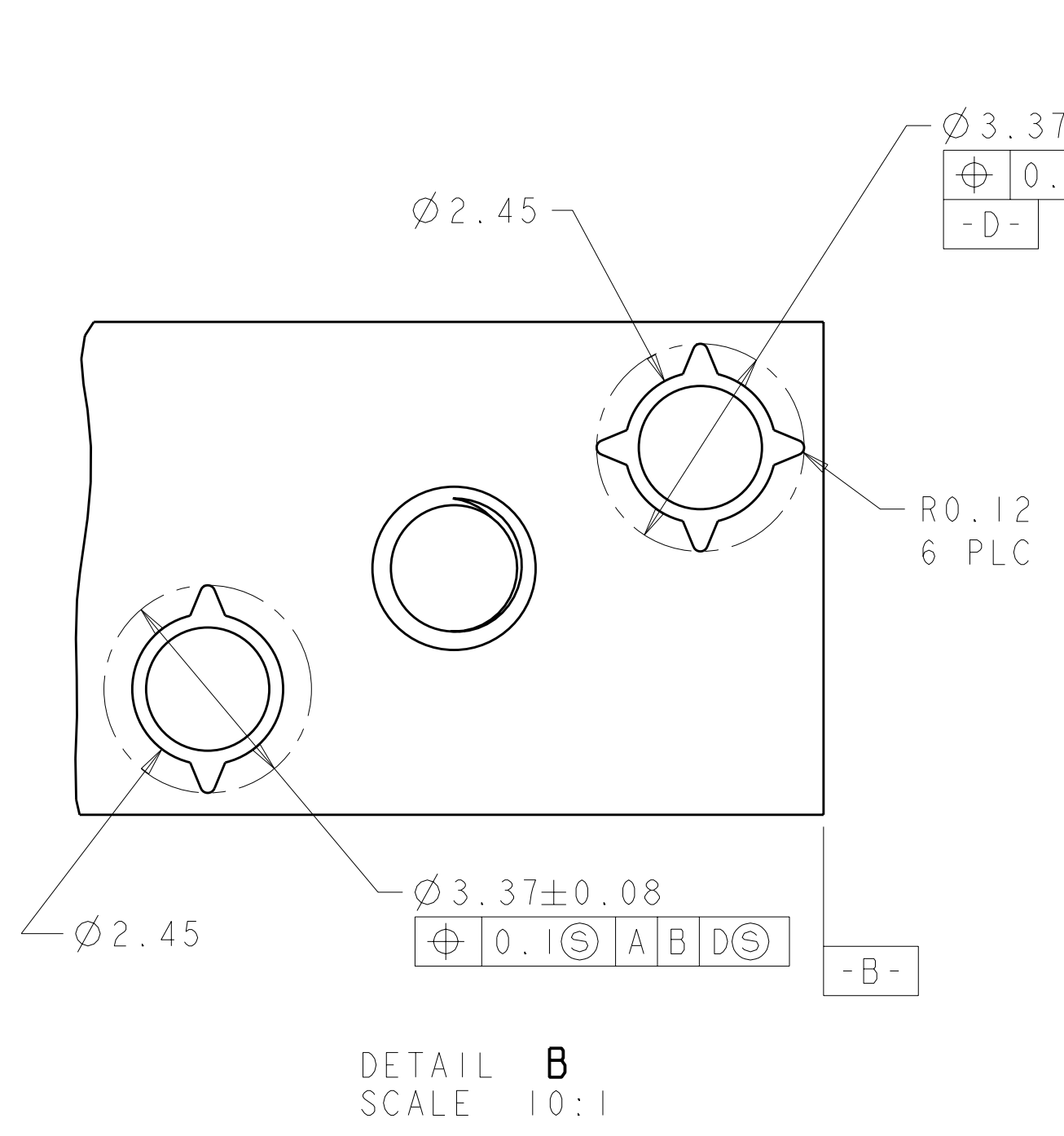


| LOC | DIST | REVISIONS | | | |
|-----|------|-----------|-----------------------|-----------|-------|
| AD | 00 | REV | DATE | BY | APPD |
| | | 1 | PROPOSED | 24APR09 | RT GG |
| | | 2 | REVISED NOTE 1 AND 2 | 12MAY2009 | RT GG |
| | | A | RELEASED | 16JUN2009 | RT RP |
| | | B | REV PER ECO-10-006114 | 13APR2010 | BC DY |

1. ZINC ALLOY
 2. FINISH: CLEAR CHROMATE
- △3 HOLE FOR POSITIVE RETENSION SCREW
- △4 DASH NUMBERS INDICATE KEY ORIENTATION



SHOWING 1410465-2



PCB LAYOUT
 CONNECTOR SIDE
 ALL HOLES AND FEATURES
 (ARE NON PLATED THROUGH HOLES)

| FINISH | ANGLE | PART NUMBER |
|---------|-----------|-------------|
| NO FLAT | 1410465-9 | |
| 315° | 1410465-8 | |
| 270° | 1410465-7 | |
| 225° | 1410465-6 | |
| 180° | 1410465-5 | |
| 135° | 1410465-4 | |
| 90° | 1410465-3 | |
| 45° | 1410465-2 | |
| 0° | 1410465-1 | |

| | | | |
|---|--|---|--|
| DIMENSIONS: mm TOLERANCES UNLESS OTHERWISE SPECIFIED: 9 PLC ± 8 PLC ±0.13 5 PLC ±0.013 4 PLC ± ANGLES ± | | DWN: R. TREA 24APR2009 CHK: G. GRIFFITH 24APR2009 APVD: D. YI 13APR2010 NAME: KEYING/GUIDE RECEPTACLE, VITA 41 SIZE: A 00779 C=1410465 SCALE: 5:1 SHEET 1 OF 1 REV B | |
| MATERIAL: - FINISH: - | | Tyco Electronics Harrisburg, PA 17105-3608 CUSTOMER DRAWING | |

X-ON Electronics

Largest Supplier of Electrical and Electronic Components

Click to view similar products for [High Speed/Modular Connectors](#) category:

Click to view products by [TE Connectivity](#) manufacturer:

Other Similar products are found below :

[650827-1](#) [74040-1346](#) [1410191-1](#) [1410368-3](#) [1410964-2](#) [1410326-3](#) [1410367-3](#) [1410971-4](#) [1467833-1](#) [2000877-1](#) [2000878-1](#) [2041314-1](#)
[2065387-1](#) [2187307-1](#) [163P](#) [1934290-1](#) [2000875-1](#) [2065917-1](#) [2102736-2](#) [FSR-40](#) [2169868-2](#) [22354-8](#) [437-5040-000](#) [5-1393565-0](#) [039-](#)
[0246-000](#) [0761601016](#) [0784461022](#) [10123159-12ELF](#) [030-2415-003/100 PK](#) [030-7380-004](#) [030-2494-001](#) [532939-1](#) [5532901-3](#) [3-1469268-](#)
[7](#) [74748-102LF](#) [73670-0247](#) [10041743-101LF](#) [10066670-100002LF](#) [1-533915-1](#) [249-4515-000](#) [7-1469373-3](#) [DL2-2J/S](#) [2000713-8](#)
[2000713-7](#) [10124313-101LF](#) [3011-21](#) [757105208](#) [EBTF-4-10-2.0-S-RA-1](#) [430305-001](#) [4395800100](#)