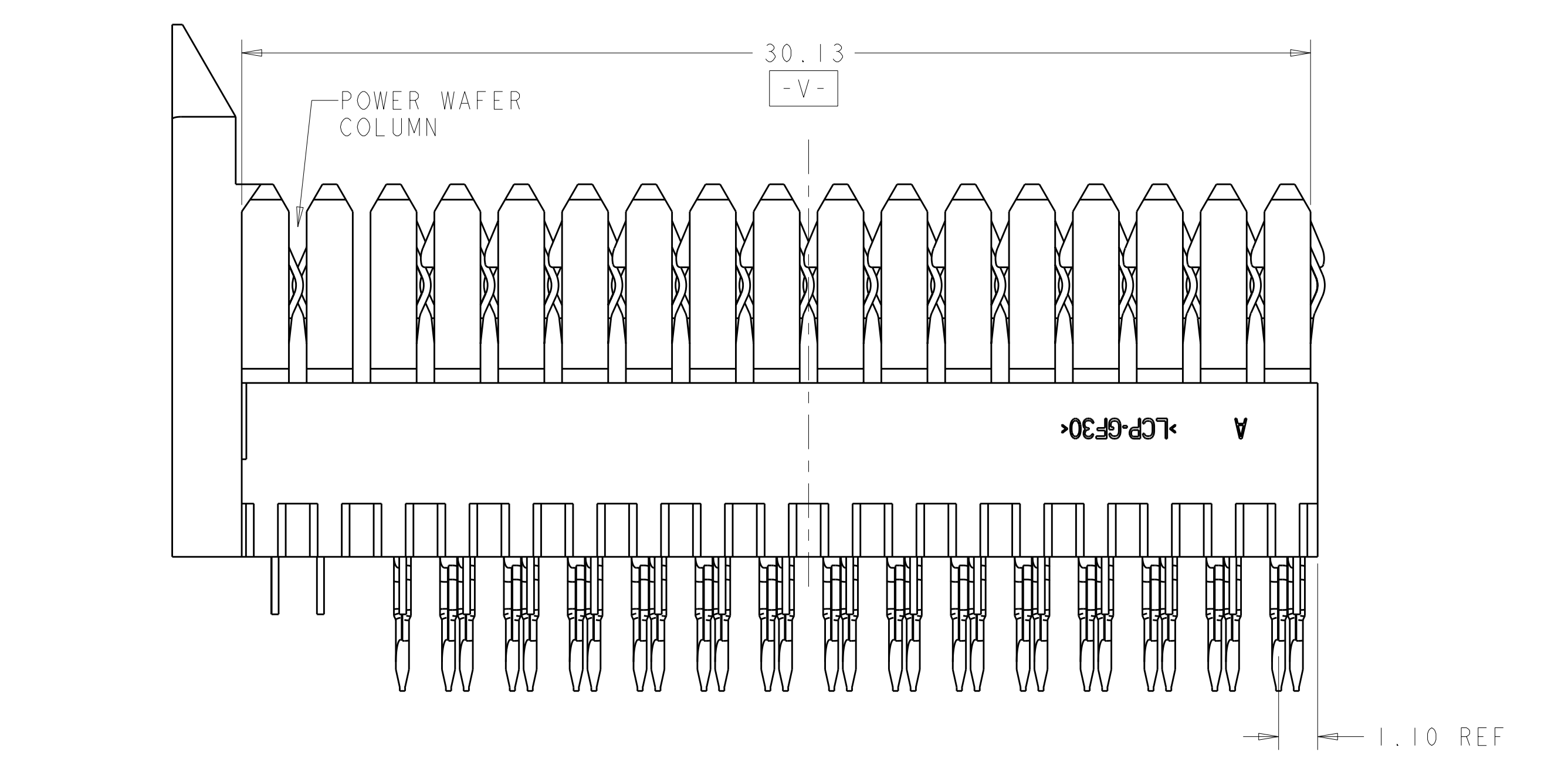
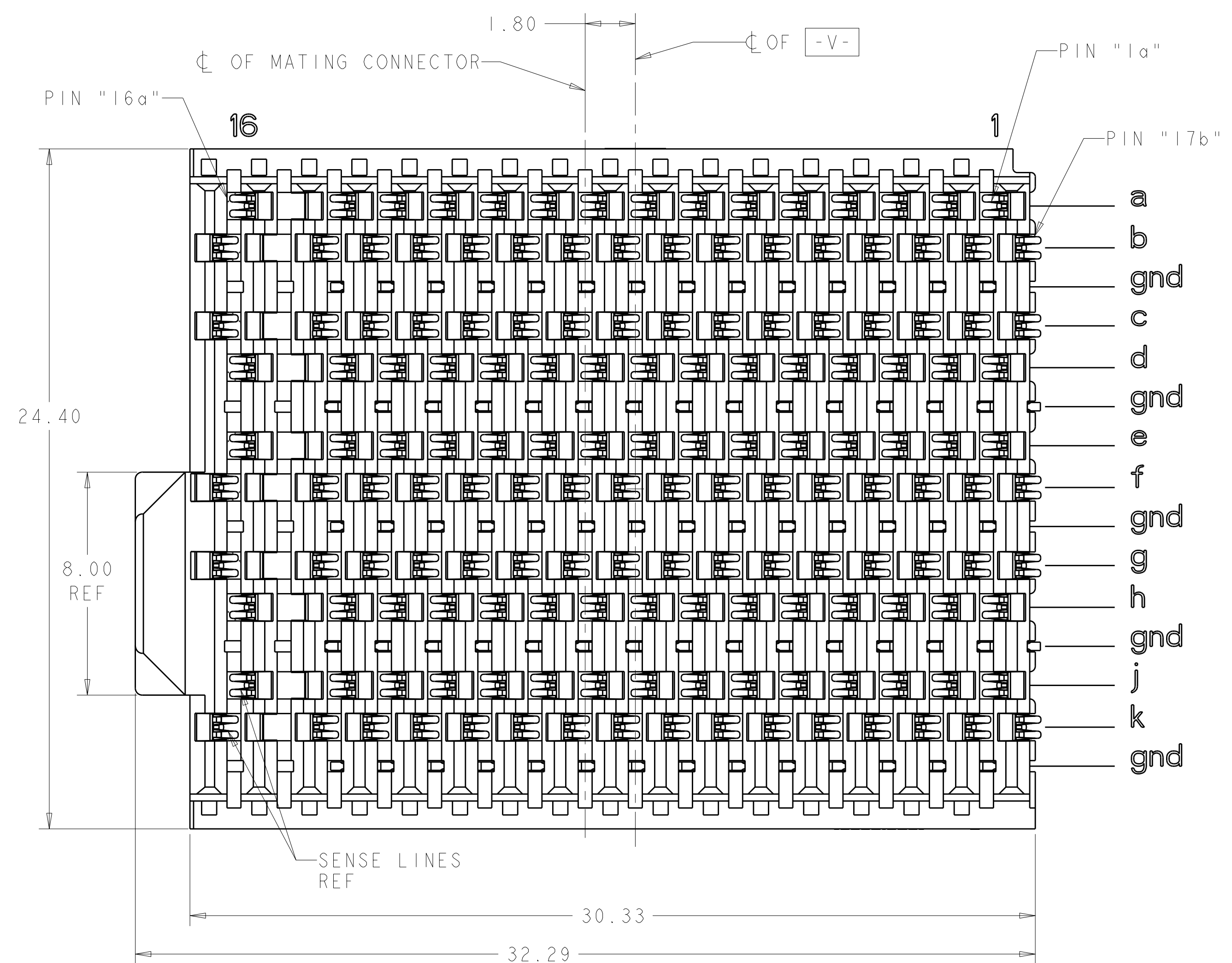
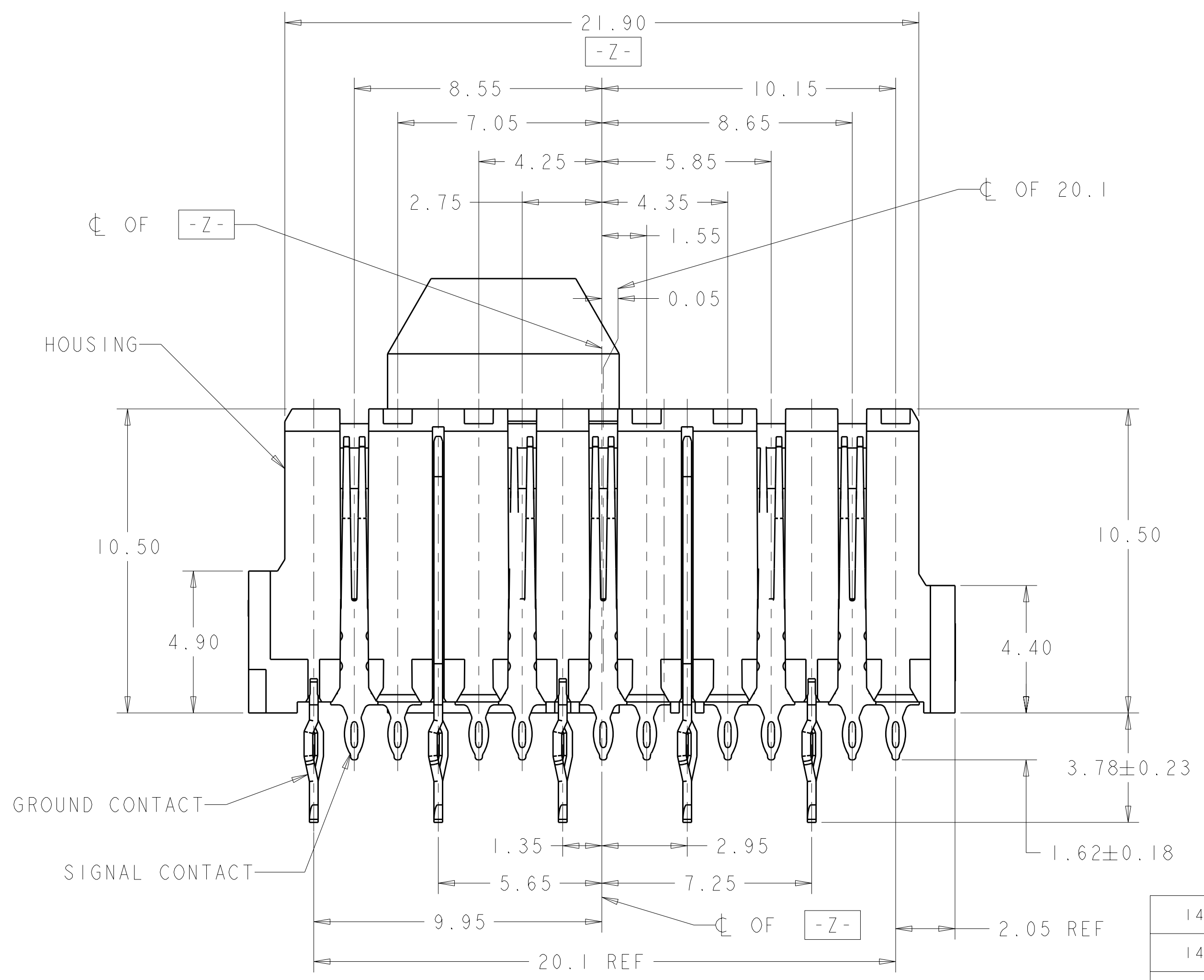


LOC	DIST	REV	DATE	BY	APPD
AD	00	B	25AUG2011	RG	AS
		BI	14MAR2012	BC	AS



- △ HOUSING: LCP, UL94V-0, BLACK. CONTACT: PHOSPHOR BRONZE.
- △ 1.27μm GOLD PER ASTM B 488 IN CONTACT AREA, 1.27μm MIN TIN-LEAD ON COMPLIANT PORTION OF PCB TAIL, BOTH OVER 3.81μm MIN NICKEL PER SAE AMS-QQ-N-290 ALL OVER.
- △ 1.27 μm GOLD PER ASTM B 488 IN CONTACT AREA , 0.508μm MIN MATTE TIN PER ASTM B 545 ON COMPLIANT PORTION OF PCB TAIL, BOTH OVER 3.81μm MIN NICKEL PER SAE AMS-QQ-N-290 ALL OVER.
- △ POWER PIN PAIRS INDICATED ARE COMMONED AT MATING.



1410479-2	△	1410480-2
1410479-1	△	1410480-1
MATES WITH	FINISH	PART NO

THIS DRAWING IS A CONTROLLED DOCUMENT.

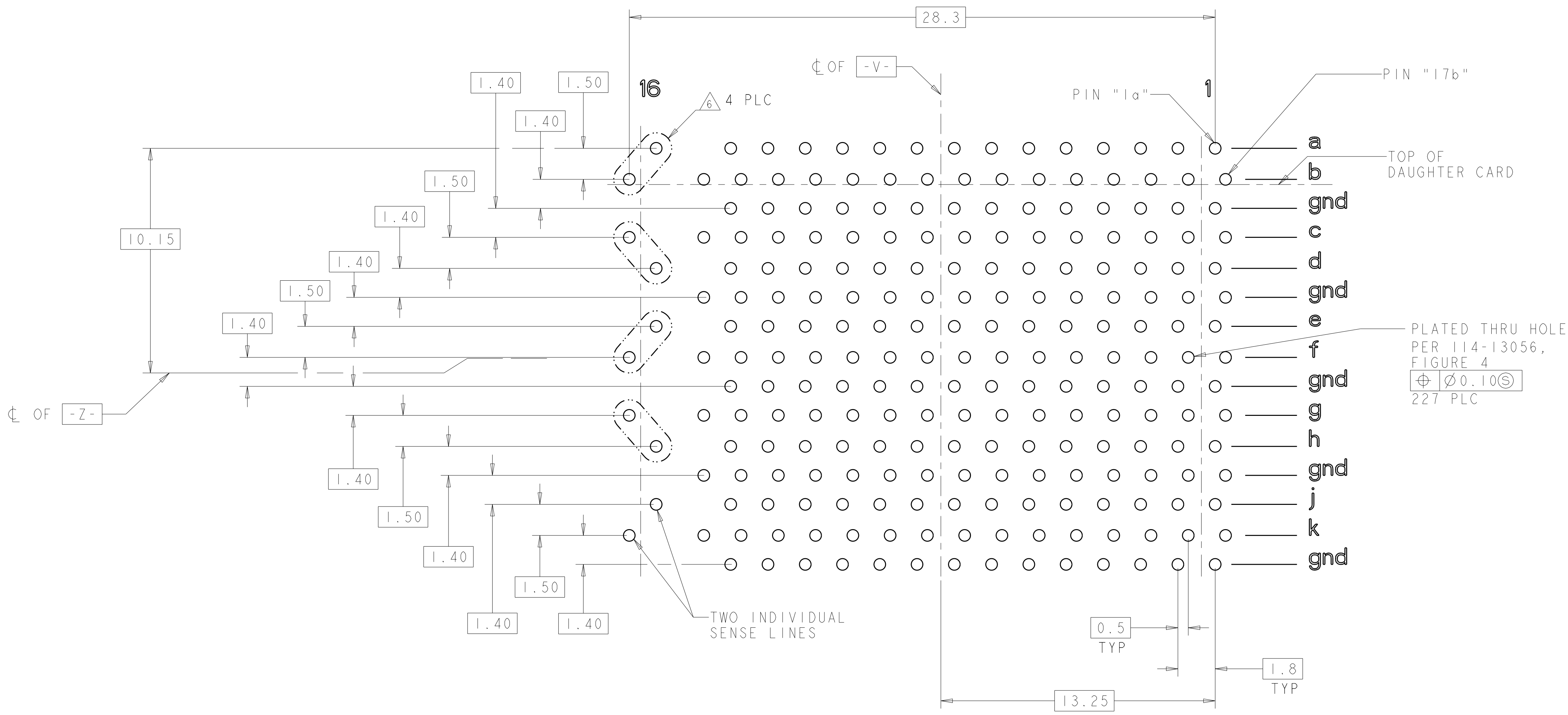
DATE: 28JUL2005
 CHK: G. GRIFFITH
 APPD: G. GRIFFITH

NAME: VERTICAL RECEPTACLE ASSEMBLY, RIGHT END, FULL, 25.4mm, POWER COMBINATION
 PRODUCT SPEC: 108-2072
 APPLICATION SPEC: 114-13056

SIZE: A100779
 CAGE CODE: C=1410480

SCALE: 5:1 SHEET 1 OF 2 REV B1

LOC	DIST	REV	DATE	BY	APPD
AD	00				
DESCRIPTION			DATE	DWN	APPD
SEE SHEET 1					



PC BOARD LAYOUT
 VIEWED FROM CONNECTOR SIDE

THIS DRAWING IS A CONTROLLED DOCUMENT.		DWN HAMNER	28JUL2005	TE Connectivity
DIMENSIONS:		CHK G. GRIFFITH	28JUL2005	
mm	TOLERANCES UNLESS OTHERWISE SPECIFIED:	APPD G. GRIFFITH	28JUL2005	NAME VERTICAL RECEPTACLE ASSEMBLY, RIGHT END, FULL, 25.4mm, POWER COMBINATION
	9 PLC ± 3 PLC ±0.5 5 PLC ±0.01 4 PLC ± ANGLES ±°	PRODUCT SPEC 108-2072	APPLICATION SPEC 114-13056	SIZE A100779
MATERIAL	FINISH	WEIGHT	DRAWING NO C=1410480	RESTRICTED TO
			CUSTOMER DRAWING	SCALE 8:1 SHEET 2 OF 2 REV B1

X-ON Electronics

Largest Supplier of Electrical and Electronic Components

Click to view similar products for [High Speed/Modular Connectors](#) category:

Click to view products by [TE Connectivity](#) manufacturer:

Other Similar products are found below :

[650827-1](#) [74040-1346](#) [1410191-1](#) [1410368-3](#) [1410964-2](#) [1410326-3](#) [1410367-3](#) [1410971-4](#) [1467833-1](#) [2000877-1](#) [2000878-1](#) [2041314-1](#)
[2065387-1](#) [2187307-1](#) [163P](#) [1934290-1](#) [2000875-1](#) [2065917-1](#) [2102736-2](#) [FSR-40](#) [2169868-2](#) [22354-8](#) [437-5040-000](#) [5-1393565-0](#) [039-](#)
[0246-000](#) [0740618502](#) [0761601016](#) [0784461022](#) [10123159-12ELF](#) [030-2415-003/100 PK](#) [030-7380-004](#) [030-2494-001](#) [532939-1](#) [5532901-](#)
[3](#) [3-1469268-7](#) [74748-102LF](#) [10041743-101LF](#) [10066670-100002LF](#) [1-533915-1](#) [249-4515-000](#) [7-1469373-3](#) [DL2-2J/S](#) [2000713-8](#)
[2000713-7](#) [10124313-101LF](#) [3011-21](#) [757105208](#) [430305-001](#) [4395800100](#) [8140115](#)