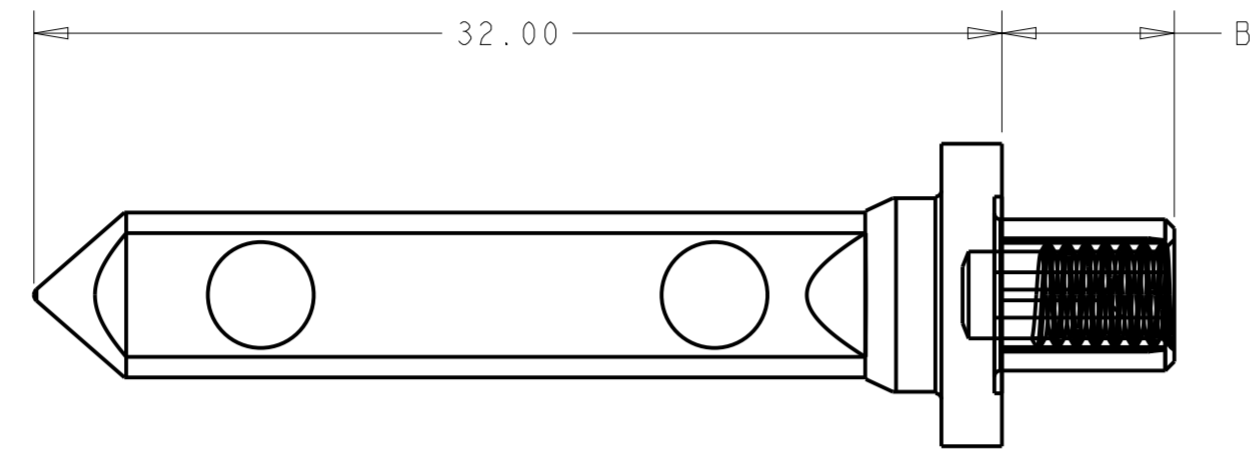
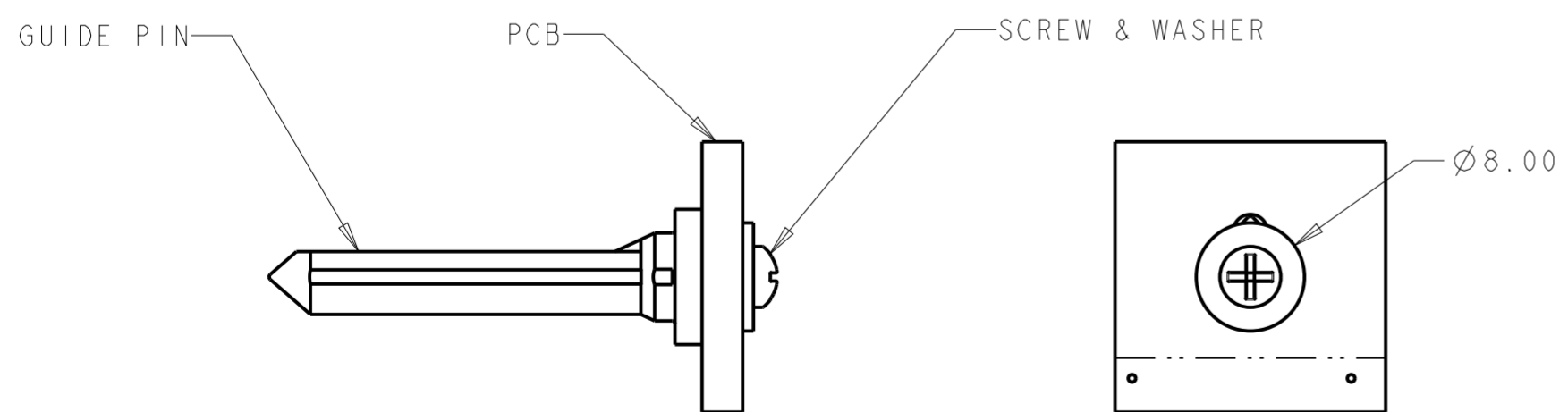
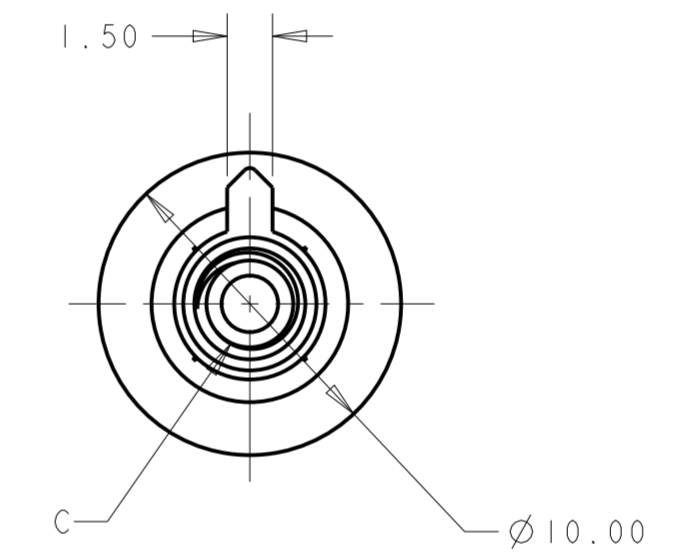
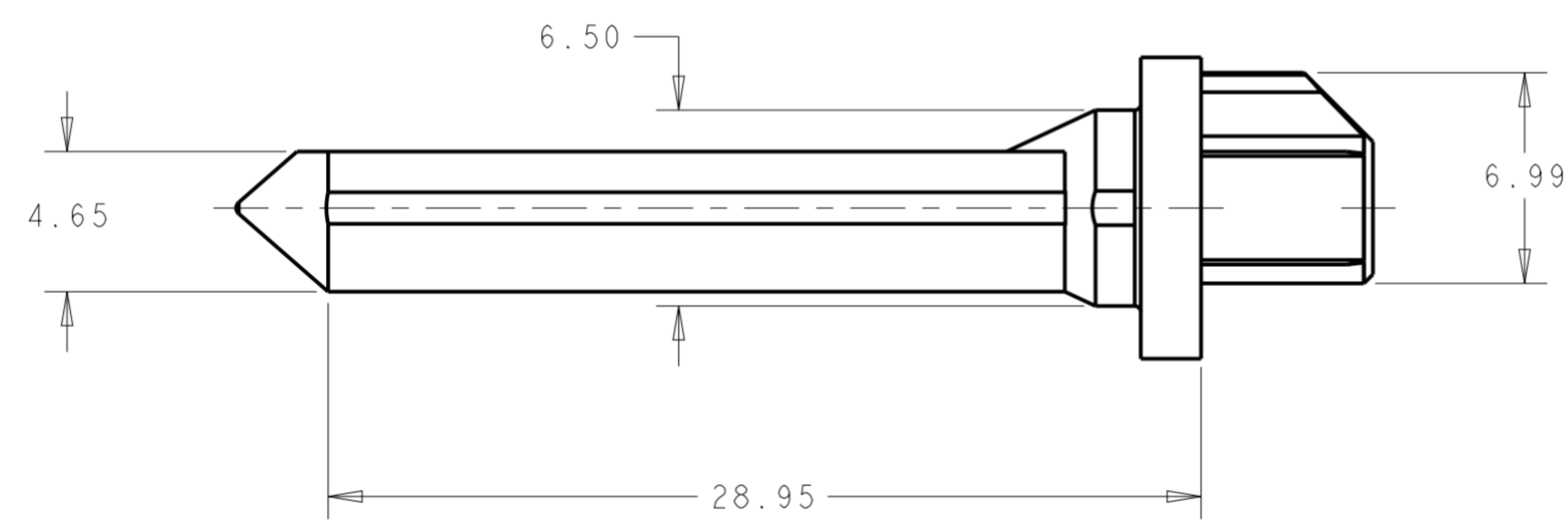
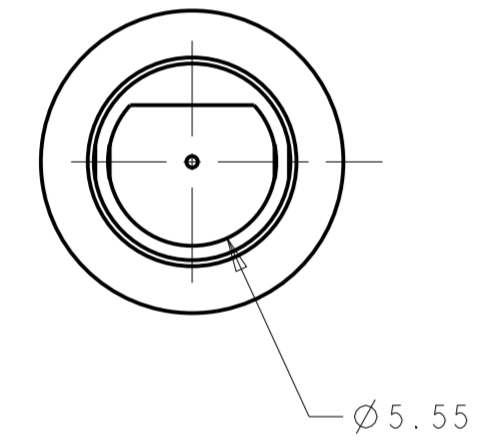


P	LTR	DESCRIPTION	DATE	DWN	APVD
A4		REV PER ECR-16-000382	09MAR2021	ML	SH



- 1 MATERIAL: ZINC ALLOY
- 2 FINISH: CHROMATE
- 3 KEY HOLE ORIENTATION (DIM A) PER MATING GUIDE MODULE PART NUMBER TABLE (ORIENTATION SHOWN ON PCB LAYOUT IS FOR 1410297-2 & 1-1410297-2)
- 4 OPTIONAL ANNULAR RING MAY BE PLATED AROUND GUIDE PIN MOUNTING HOLE ON BOTTOM SIDE OF BOARD
- 5 FINISH: NICKEL PLATING OVER COPPER BASED-PLATING.



RECOMMENDED APPLICATION VIEW
 P/N: 1410548-*
 SCALE 2:1

PRELIMINARY

M2.5X0.45	M2.5X0.45-6H X5.50 DEEP	2.60	5	1	1410548-5
NO	M2.5X0.45-6H X5.50 DEEP	2.60	5	1	1410548-4
NO	M3.5X0.6-6H X4.5 DEEP	5.70	5	1	1410548-3
NO	M3.5X0.6-6H X4.5 DEEP	5.70	2	1	1410548-2
SCREW SPEC.	C	B	FINISH	MATERIAL	PART NUMBER

THIS DRAWING IS A CONTROLLED DOCUMENT.

DWN: D.E. STAHL 02NOV2000
 CHK: N. SCHROLL 02NOV2000
 APVD: N. SCHROLL 02NOV2000

STE TE Connectivity

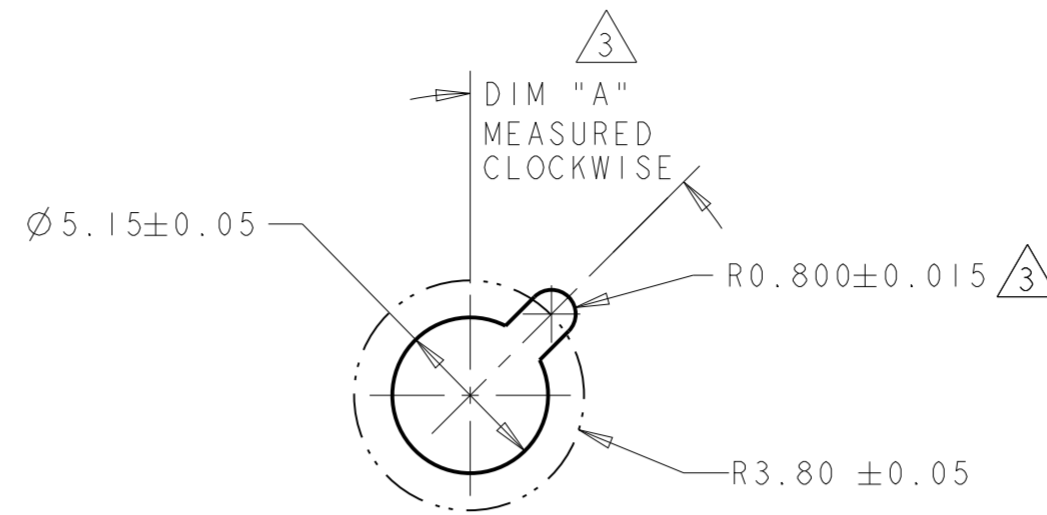
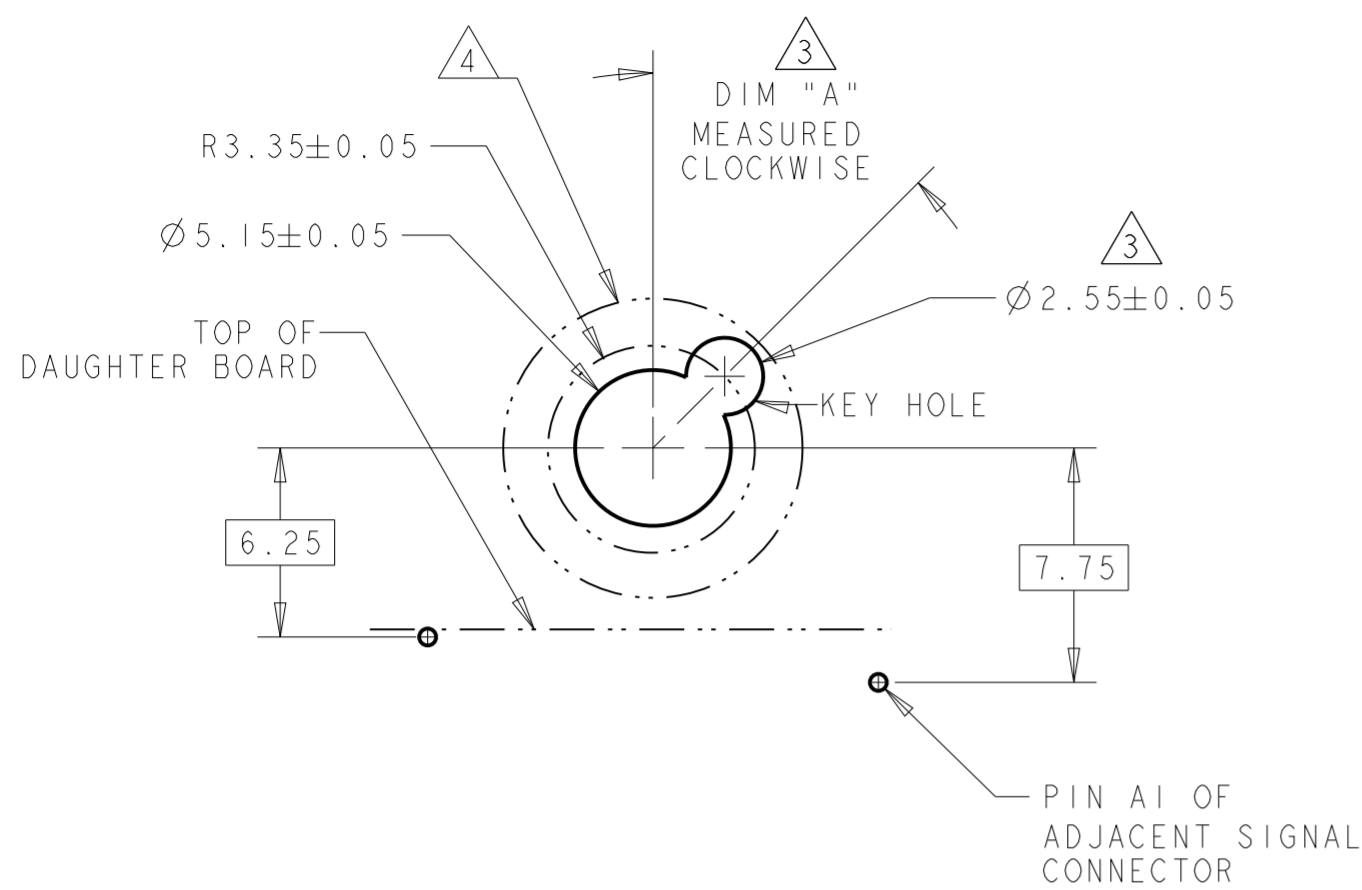
NAME: KEYED GUIDE PIN MULTIGIG BACKPLANE CONN

SIZE: A2 CAGE CODE: 00779 DRAWING NO: 1410548 RESTRICTED TO: A4

SCALE: 4:1 SHEET: 1 OF 2 REV: A4

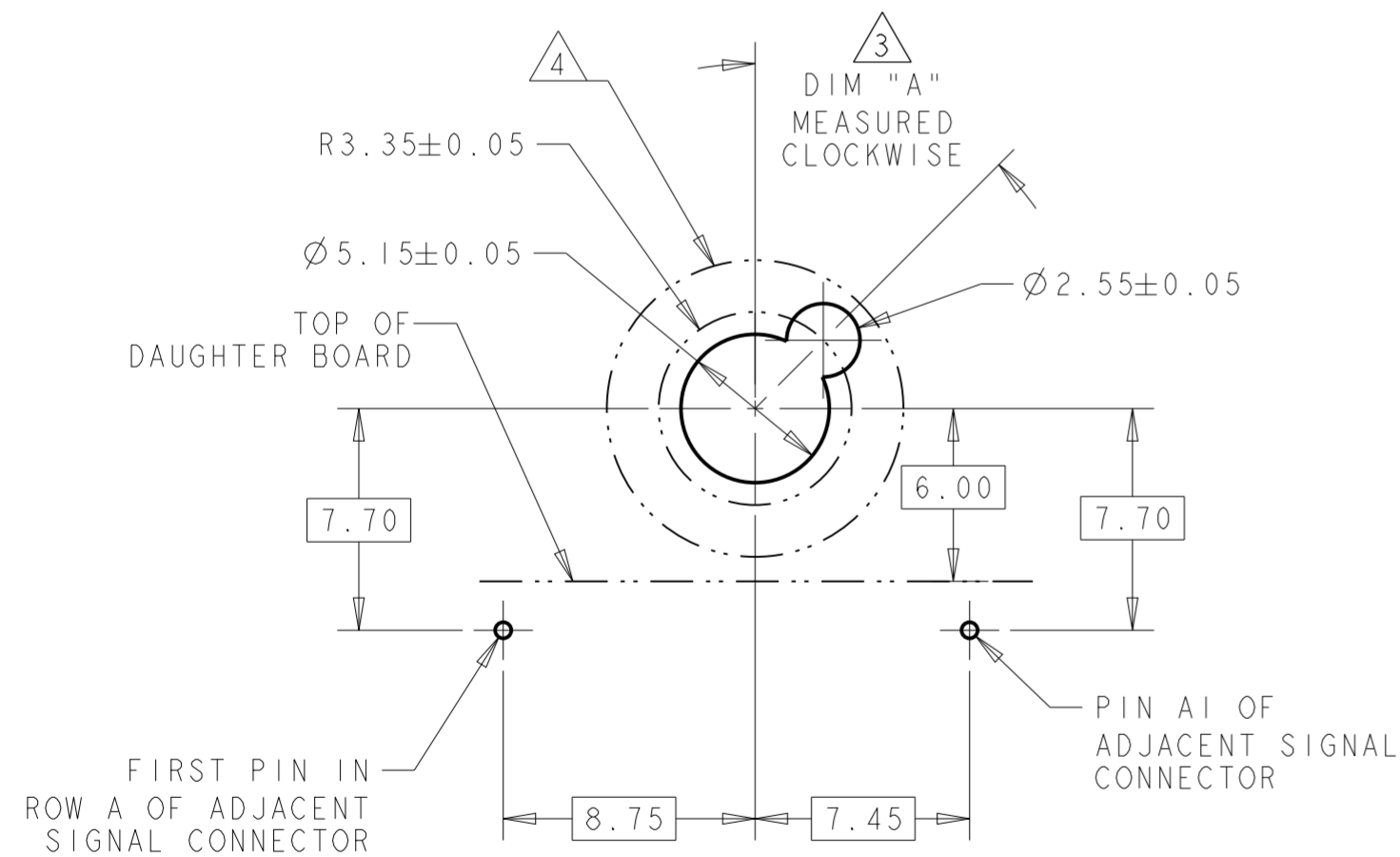
CUSTOMER DRAWING

P	LTR	DESCRIPTION	DATE	DWN	APVD
-	-	SEE SHEET 1	-	-	-

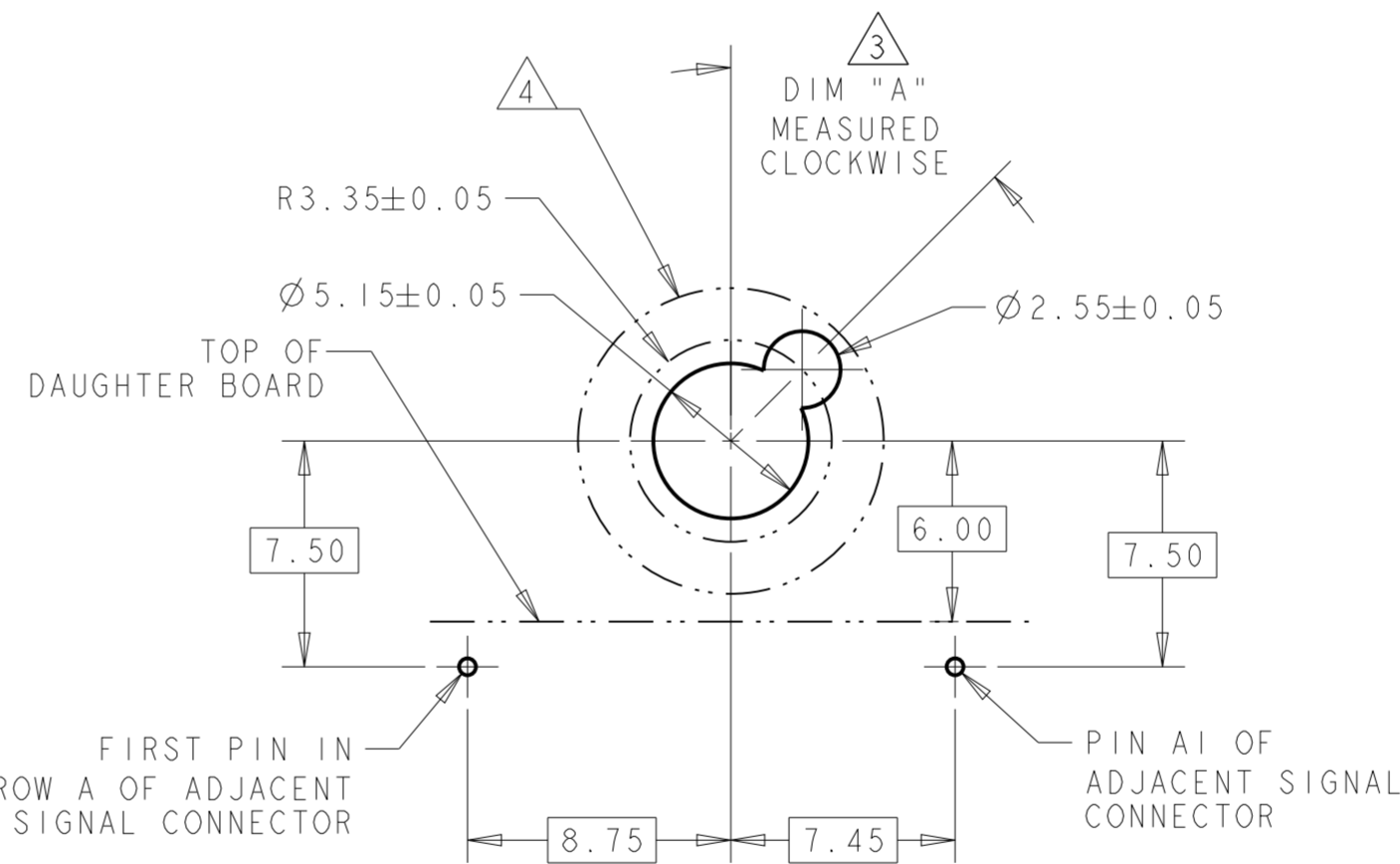


TIER 1
GUIDE PIN FOOTPRINT
(20.3 & 25.4mm SIGNAL MODULES)
SCALE 4:1

ALTERNATE PCB LAYOUT
FOR GUIDE POST
SCALE 4:1



TIER 2
GUIDE PIN FOOTPRINT
(20.3mm SIGNAL MODULES)
SCALE 4:1



TIER 2
GUIDE PIN FOOTPRINT
(25.4mm SIGNAL MODULES)
SCALE 4:1

5	315°	1-1410297-8
5	270°	1-1410297-7
5	225°	1-1410297-6
5	180°	1-1410297-5
5	135°	1-1410297-4
5	90°	1-1410297-3
5	45°	1-1410297-2
5	0°	1-1410297-1
2	315°	1410297-8
2	270°	1410297-7
2	225°	1410297-6
2	180°	1410297-5
2	135°	1410297-4
2	90°	1410297-3
2	45°	1410297-2
2	0°	1410297-1
FINISH	DIM "A"	20.3mm GUIDE MODULE
		MATING GUIDE MODULE 3

THIS DRAWING IS A CONTROLLED DOCUMENT.		DWN D. E. STAHL 02NOV2000	TE Connectivity	
DIMENSIONS: mm		CHK N. SCHROLL 02NOV2000		
TOLERANCES UNLESS OTHERWISE SPECIFIED:		APVD N. SCHROLL 02NOV2000	NAME KEYED GUIDE PIN MULTIGIG BACKPLANE CONN	
0 PLC ±- 1 PLC ±0.5 2 PLC ±0.13 3 PLC ±0.013 4 PLC ±0.0001 ANGLES ±0°'30"		PRODUCT SPEC -	SIZE A200779	
MATERIAL 1		APPLICATION SPEC 114-13056	DRAWING NO C-1410548	
FINISH 2		WEIGHT -	RESTRICTED TO	
CUSTOMER DRAWING		SCALE 4:1	SHEET 2 OF 2	
			REV A4	

X-ON Electronics

Largest Supplier of Electrical and Electronic Components

Click to view similar products for [Heavy Duty Power Connectors](#) category:

Click to view products by [TE Connectivity](#) manufacturer:

Other Similar products are found below :

[6646058-2](#) [6646137-1](#) [6646138-1](#) [6646940-1](#) [6651091-1](#) [6651525-1](#) [6651529-1](#) [696475-1](#) [702-32-01109](#) [73080255059](#) [73080965046](#)
[7310205040001](#) [765-16-0080B](#) [765-18-0080D](#) [902-77-02113](#) [PS00/A0620/6300](#) [AN0024023](#) [154-42B7WM250](#) [MS3117-14AC](#) [1643543-1](#)
[1766966-1](#) [1791340000](#) [NLDFT-3-BL-L-S120-M40A](#) [NLDFT-N-W-L-C240-M40B](#) [1926015-1](#) [NLS-3-BL-C240-M40B](#) [NLS-N-W-C240-](#)
[M40B](#) [NPS-3-BL-T6](#) [2-1589900-8](#) [9300480317](#) [294-0091-01100](#) [296-0040-01100](#) [1-6609148-0](#) [A32595-0049](#) [1766249-1](#) [19000005132](#)
[1926016-1](#) [1-966831-8](#) [AN0024202](#) [AN0264023](#) [279-0841-10100A](#) [281-0334-00100A](#) [RMSB4](#) [419-2083-301](#) [LCDX4/0-14B-X](#) [075-8519-](#)
[001](#) [078238-1613](#) [07.470.3256.0](#) [09000005288](#) [09140240311](#)