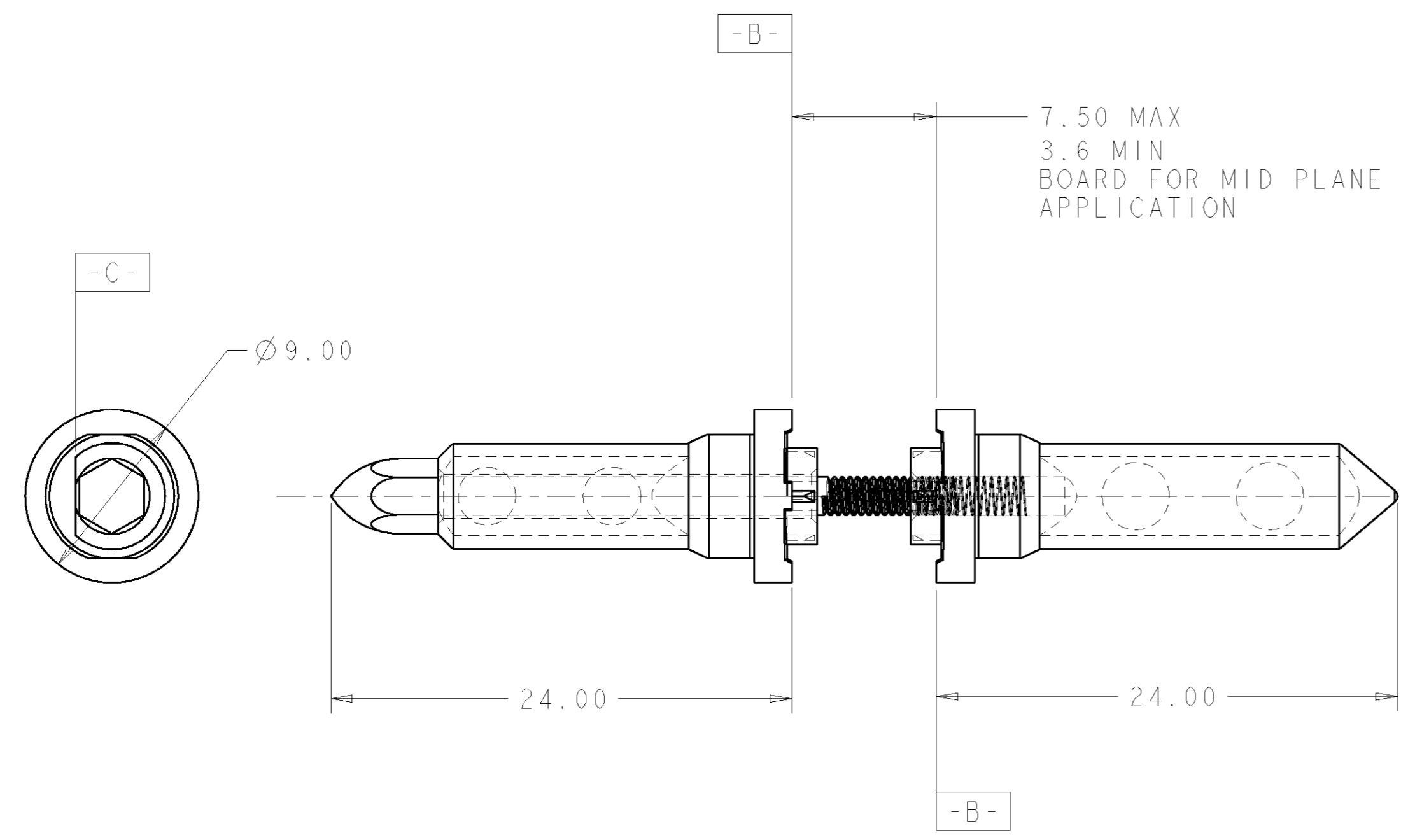
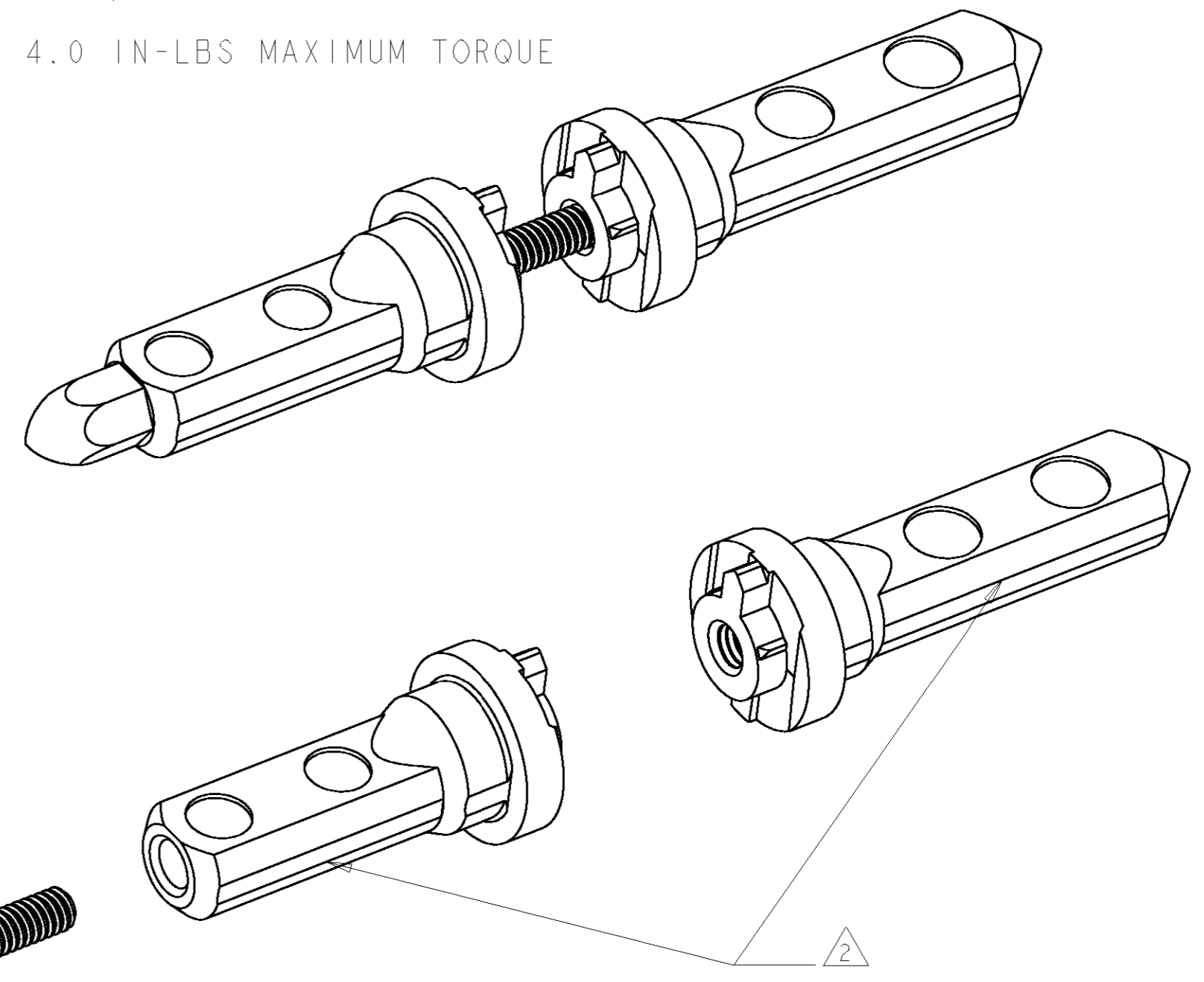


THIS DRAWING IS UNPUBLISHED. RELEASED FOR PUBLICATION 20
 © COPYRIGHT 20 BY TYCO ELECTRONICS CORPORATION. ALL RIGHTS RESERVED.

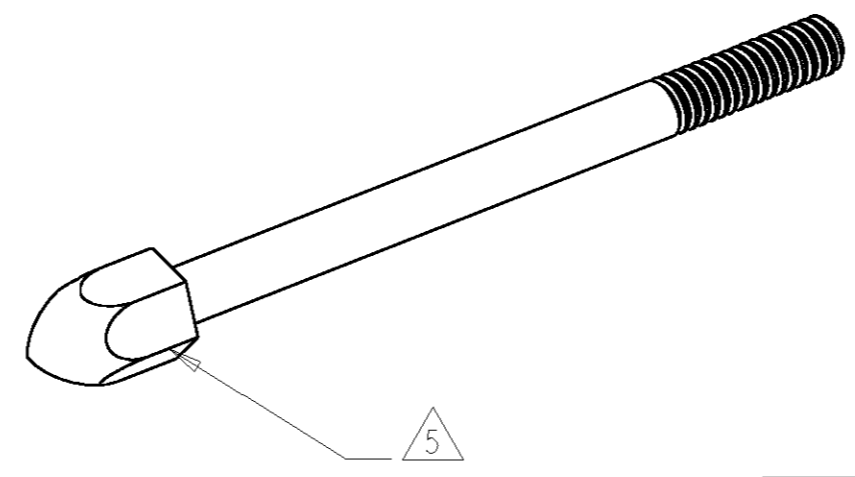
LOC	DIST	REVISIONS					
CG	00	P	LTR	DESCRIPTION	DATE	DWN	APVD
		01		PROPOSED	24FEB2004	RT	GGG
		02		RELEASED	05AUG2004	RT	GGG
		A		REV PER ECO-06-020218	24AUG2006	BC	GG



- 1 MATERIAL: ZINC ALLOY
- 2 GUIDE PIN FINISH:
3.81µm MINIMUM SILVER IN CONTACT AREA
OVER NICKEL OVER COPPER
ALL OVER ON GUIDE PINS
- 3 KEY HOLE ORIENTATION (DIM A) PER MATING
GUIDE MODULE PART NUMBER TABLE
(ORIENTATION SHOWN ON PCB LAYOUT IS FOR 1-1469492-2)
- 4 ANNULAR RING PLATED AROUND
GUIDE PIN MOUNTING HOLE ON TOP AND BOTTOM SIDE OF BOARD
- 5 GUIDE PIN RETAINER FINISH:
3.81µm MINIMUM SILVER OVER NICKEL
- 6. 4.0 IN-LBS MAXIMUM TORQUE



SCALE 4:1

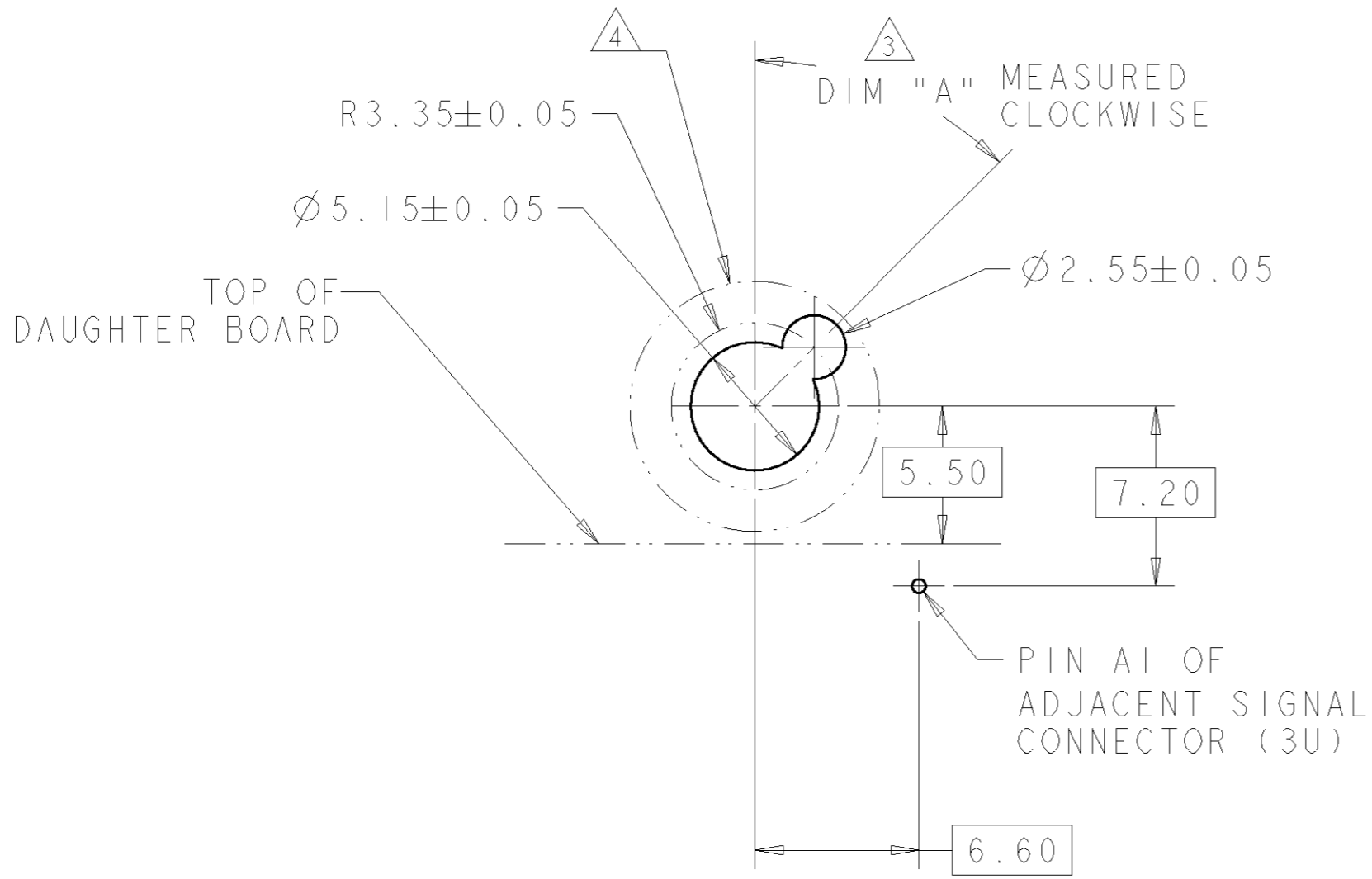


1410956-1
PART NUMBER

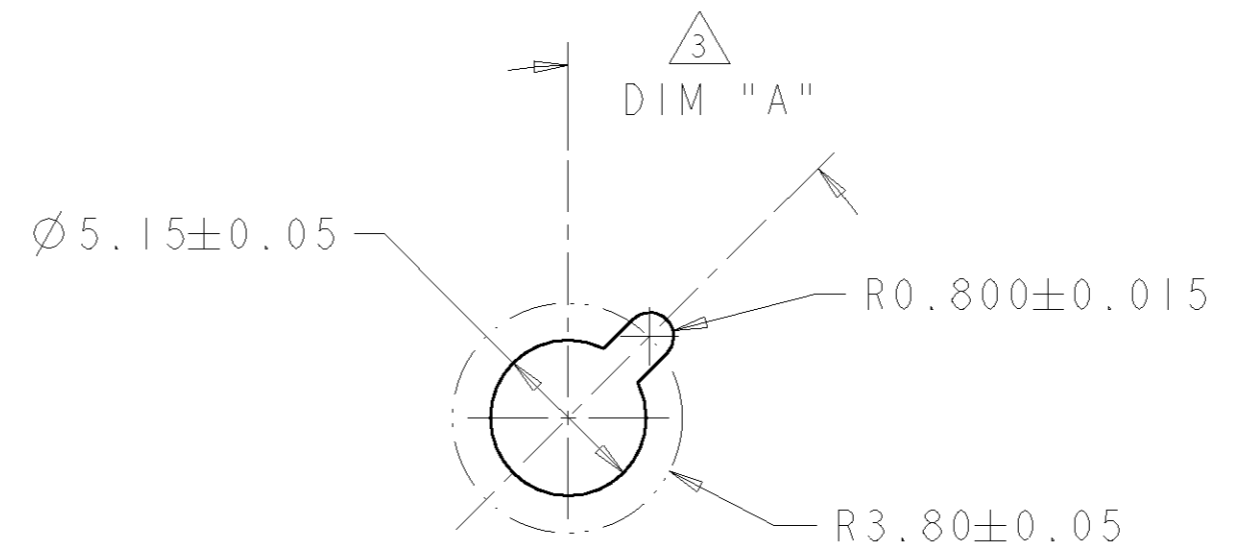
THIS DRAWING IS A CONTROLLED DOCUMENT FOR TYCO ELECTRONICS CORPORATION IT IS SUBJECT TO CHANGE AND THE CONTROLLING ENGINEERING ORGANIZATION SHOULD BE CONTACTED FOR THE LATEST REVISION.		DWN R.TREA 02MAR2005	Tyco Electronics Harrisburg, PA 17105-3608	
DIMENSIONS: mm		CHK G.GRIFFITH 02MAR2005		
TOLERANCES UNLESS OTHERWISE SPECIFIED:		APVD G.GRIFFITH 02MAR2005	NAME KEYED GUIDE PIN KIT ASSEMBLY, BACKPLANE CONNECTOR, MULTIGIG, THREADED POST	
0 PLC ±		PRODUCT SPEC 108-2072	SIZE A2	
1 PLC ±0.5		APPLICATION SPEC 114-13056	CAGE CODE 00779	DRAWING NO 1410956
2 PLC ±.13		WEIGHT -	RESTRICTED TO -	
3 PLC ±0.013		CUSTOMER DRAWING		
4 PLC ±		SCALE 5:1 SHEET 1 OF 2 REV A		
ANGLES ±				
FINISH				

THIS DRAWING IS UNPUBLISHED. RELEASED FOR PUBLICATION 20
 © COPYRIGHT 20 BY TYCO ELECTRONICS CORPORATION. ALL RIGHTS RESERVED.

LOC	DIST	REVISIONS					
CG	00	P	LTR	DESCRIPTION	DATE	DWN	APVD
		-		SEE SHEET 1			



TIER 2
 GUIDE PIN FOOTPRINT
 (20.3mm SIGNAL MODULES)
 SCALE 4:1



ALTERNATE PCB LAYOUT
 FOR GUIDE POST
 SCALE 4:1

-	1-1469492-9
315°	1-1469492-8
270°	1-1469492-7
90°	1-1469492-3
45°	1-1469492-2
0°	1-1469492-1
DIM "A"	20.3mm GUIDE MODULE

MATING GUIDE MODULE

THIS DRAWING IS A CONTROLLED DOCUMENT FOR TYCO ELECTRONICS CORPORATION IT IS SUBJECT TO CHANGE AND THE CONTROLLING ENGINEERING ORGANIZATION SHOULD BE CONTACTED FOR THE LATEST REVISION.		DWN R. TREA 02MAR2005	Tyco Electronics Harrisburg, PA 17105-3608	
DIMENSIONS: mm		CHK G. GRIFFITH 02MAR2005		
TOLERANCES UNLESS OTHERWISE SPECIFIED: 0 PLC ± 1 PLC ±0.5 2 PLC ±.13 3 PLC ±0.013 4 PLC ± ANGLES ± FINISH		APVD G. GRIFFITH 02MAR2005	NAME KEYED GUIDE PIN KIT ASSEMBLY, BACKPLANE CONNECTOR, MULTIGIG, THREADED POST	
MATERIAL		PRODUCT SPEC -	SIZE A2	CAGE CODE 00779
		APPLICATION SPEC -	DRAWING NO. 1410956	RESTRICTED TO -
		WEIGHT -	CUSTOMER DRAWING	
		SCALE 1:1		SHEET 2 OF 2 REV A

X-ON Electronics

Largest Supplier of Electrical and Electronic Components

Click to view similar products for [High Speed/Modular Connectors](#) category:

Click to view products by [TE Connectivity](#) manufacturer:

Other Similar products are found below :

[650827-1](#) [74040-1346](#) [1410191-1](#) [1410368-3](#) [1410964-2](#) [1410326-3](#) [1410367-3](#) [1410971-4](#) [1467833-1](#) [2000877-1](#) [2000878-1](#) [2041314-1](#)
[2065387-1](#) [2187307-1](#) [163P](#) [1934290-1](#) [2000875-1](#) [2065917-1](#) [2102736-2](#) [FSR-40](#) [2169868-2](#) [22354-8](#) [437-5040-000](#) [5-1393565-0](#) [039-](#)
[0246-000](#) [0740618502](#) [0761601016](#) [0784461022](#) [10123159-12ELF](#) [030-2415-003/100 PK](#) [030-7380-004](#) [030-2494-001](#) [532939-1](#) [5532901-](#)
[3](#) [3-1469268-7](#) [74748-102LF](#) [10041743-101LF](#) [10066670-100002LF](#) [1-533915-1](#) [249-4515-000](#) [7-1469373-3](#) [DL2-2J/S](#) [2000713-8](#)
[2000713-7](#) [10124313-101LF](#) [3011-21](#) [757105208](#) [430305-001](#) [4395800100](#) [8140115](#)