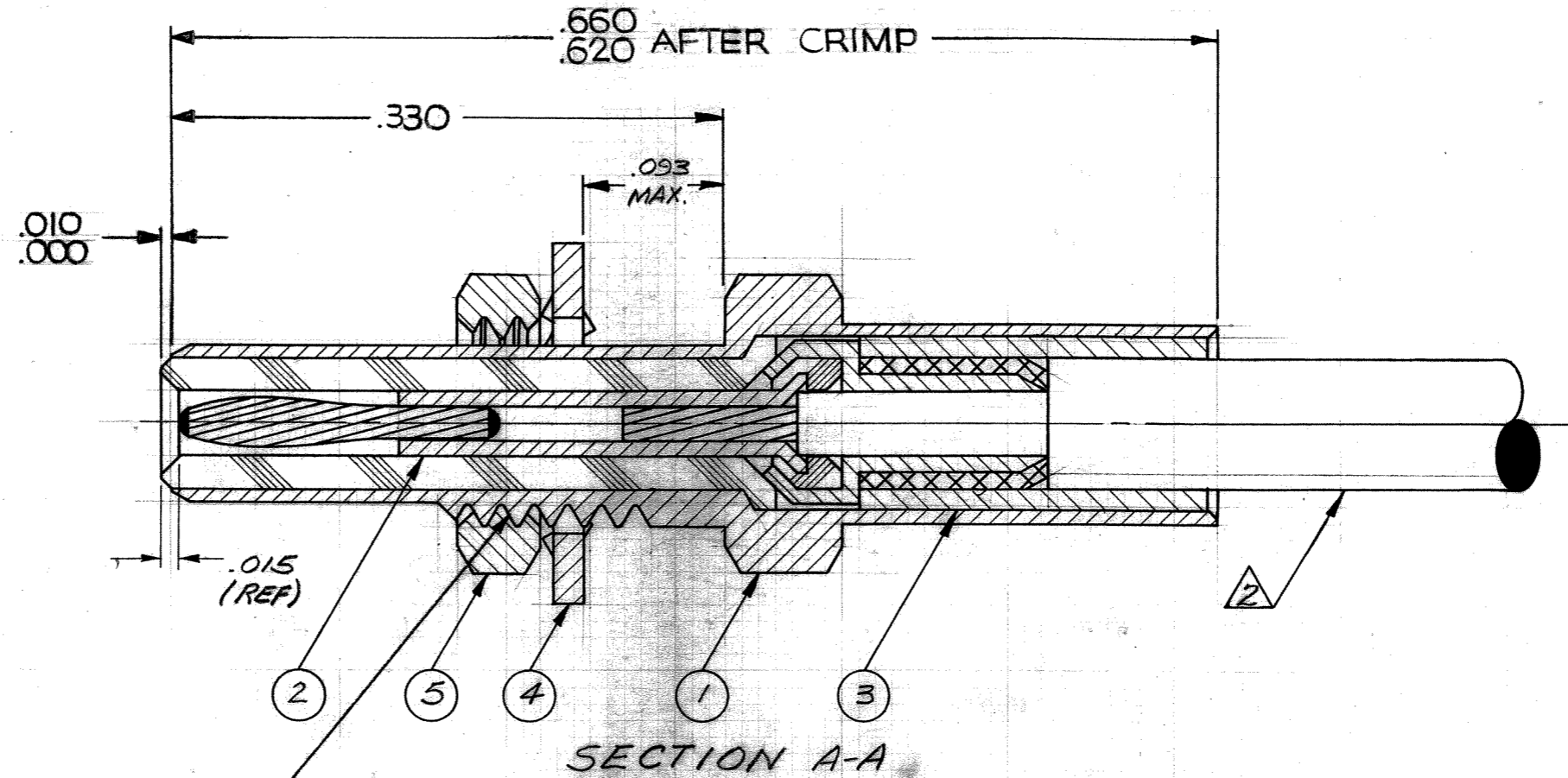
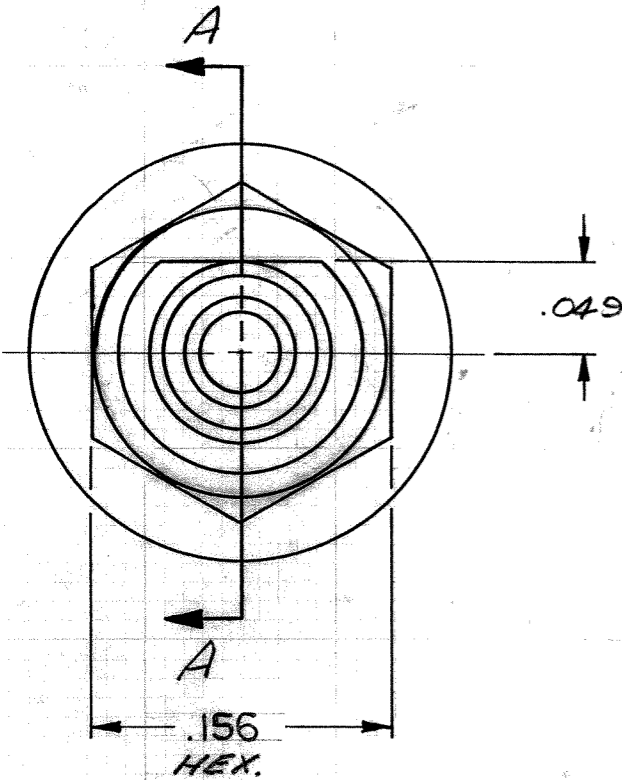


These drawings and specifications are the property of Microdot Inc., are issued in strict confidence and shall not be divulged, be reproduced or copied, or used as the basis for the manufacture or sale of any article without written permission of Microdot Inc.



Tyco Dwg 1-1532006-9
Micro P/N 141-1001-0001

.125-44 UNF-2A THD (MODIFIED)

QTY	PART NO.	NOMENCLATURE	MAT'L & SPEC	ITEM
1	014-0012-0002	NUT	BRASS PER QQ-B-626	5
1	014-0013-0002	LOCKWASHER	#425 BRONZE ALLOY	4
1	014-0004-0002	CRIMP SLEEVE	COPPER ALLOY	3
1	014-1018-0001	CONTACT-SUB-ASSY		2
1	014-1019-0001	HOUSING-SUB-ASSY		1

4. SEE RF-ASMB-15 FOR CABLE ASSEMBLY INSTRUCTIONS.
3. MATES WITH ALL LEPPA/CON 142 SLIDE-ON SERIES PLUGS.
△ CABLE ACCEPTANCE DIM'S-CENTER COND. .012, DIELECTRIC .034, SHIELD .054, JACKET .075.
1. ALL METALLIC PARTS ARE GOLD PLATED PER MIL-G-45204 TYPE II, CLASS I

NOTES: UNLESS OTHERWISE SPECIFIED

ASSEMBLY	NO REQ'D	REVISION DESCRIPTION	BY	DATE	APP
		A 7075 RELEASE FOR PROD.	UM	9/12/67	ES
		B 2895 ITEM 4 MAT'L WAS: P/BRONZE PER QQ-B-750; DIM. IS: .625 WAS: 5/8 IS: .343 WAS: 11/32; UPDATE LOGO	(LM)		ES
		C UPDATE REV. 3827	ES		ES
		D UPDATE REV, ECN 39213	TL	7/24/68	ES

STANDARD TOLERANCES UNLESS OTHERWISE SPECIFIED
DEC. ± .010
FRAC. ±
ANGLES ±
ECCENTRICITY
MAX. T.I.R.
HOLE DIA. ±
SURFACE ROUGHNESS
MICRO INCHES
THREADS TO MIL-S-7742
COMMERCIAL TOLERANCES APPLY TO STOCK DIMENSIONS

MALCO
A MICRODOT COMPANY, INC.
220 PASADENA AVE., SO. PASADENA, CALIF.

SURFACE TREATMENT NOTED

MATERIAL NOTED

APP: [Signature]
CHECKED BY: [Signature]
DRAWN BY: U. Mats
SCALE: 10:1
WT: [Blank]
DATE: 7/13/66
DRAWING NUMBER: 141-1001-0001 D

PROD. CODE 946
CODE CDM

BHD JACK, ASSEMBLY - SLIDE-ON

X-ON Electronics

Largest Supplier of Electrical and Electronic Components

Click to view similar products for [RF Connectors / Coaxial Connectors](#) category:

Click to view products by [TE Connectivity](#) manufacturer:

Other Similar products are found below :

[8915-1511-000](#) [89674-0827](#) [6001-7071-019](#) [6002-7051-003](#) [6002-7551-202](#) [6059674-1](#) [619550-1](#) [630059-000](#) [M39030/3-01N](#) [6500-7071-046](#) [6769](#) [CX050L2AQ](#) [7002-1541-010](#) [7002-1542-011](#) [7004-1512-000](#) [7009-1511-004](#) [7010-1511-000](#) [7029-1511-060](#) [7101-1541-010](#) [7101-1571-002](#) [7145-1521-002](#) [7203-1571-003](#) [7209-1511-011](#) [7210-1511-015](#) [7210-1511-019](#) [73137-5015](#) [73216-2241](#) [73404-2300](#) [7405-1521-005](#) [7405-1521-802](#) [8527](#) [8547](#) [FS11V](#) [877931](#) [8808-1511-001](#) [9049-9513-000](#) [9074-9513-000](#) [9101-9573-002](#) [910A205F](#) [9130-9573-002](#) [PL11SC-026](#) [PL375-33](#) [PL40-5](#) [PL74C-221](#) [PL75MC-217](#) [PL803-7](#) [1200690078](#) [1-201144-1](#) [R107003010W](#) [R110A172100](#)