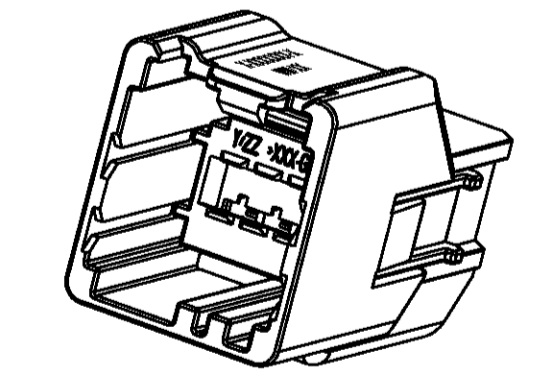
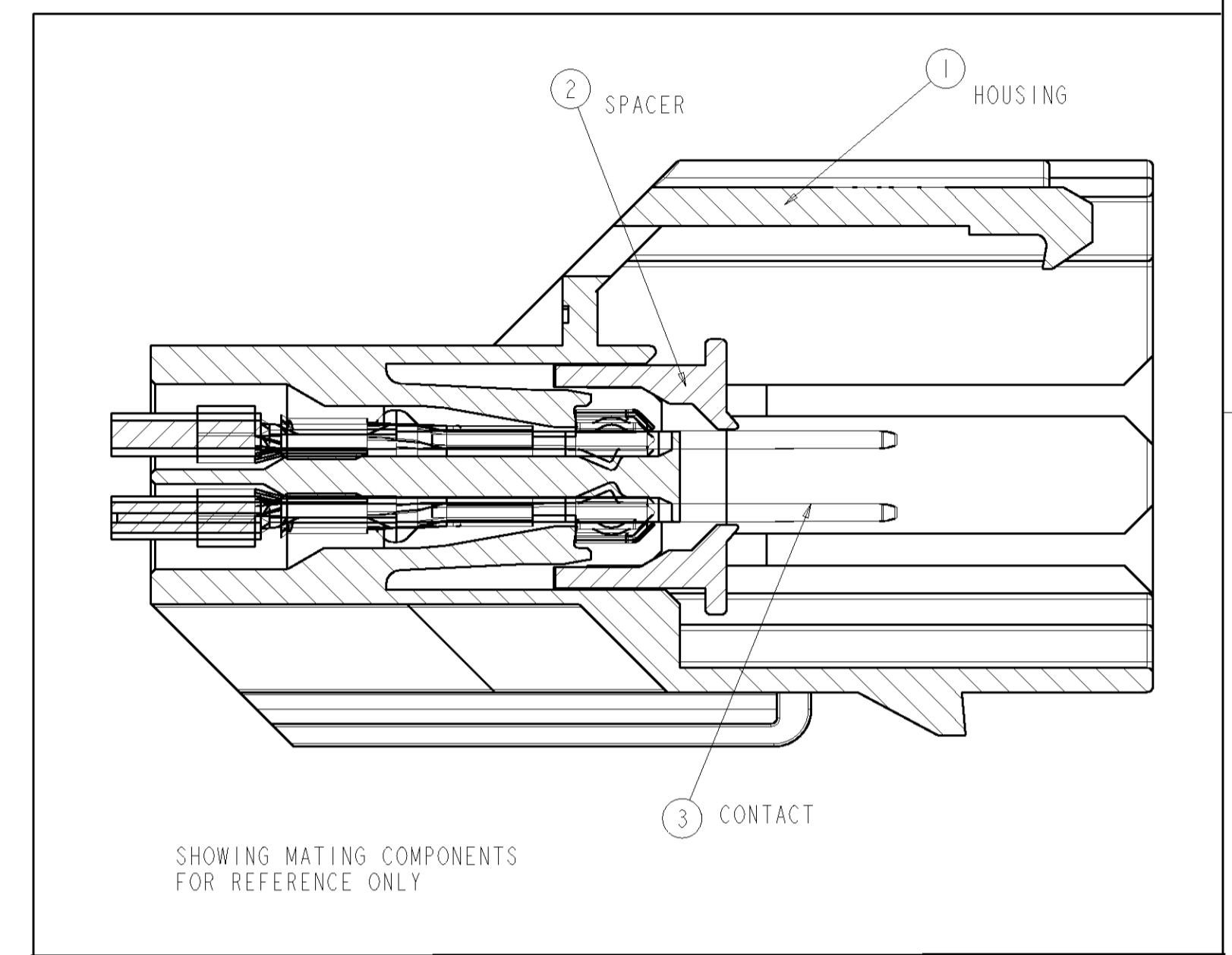
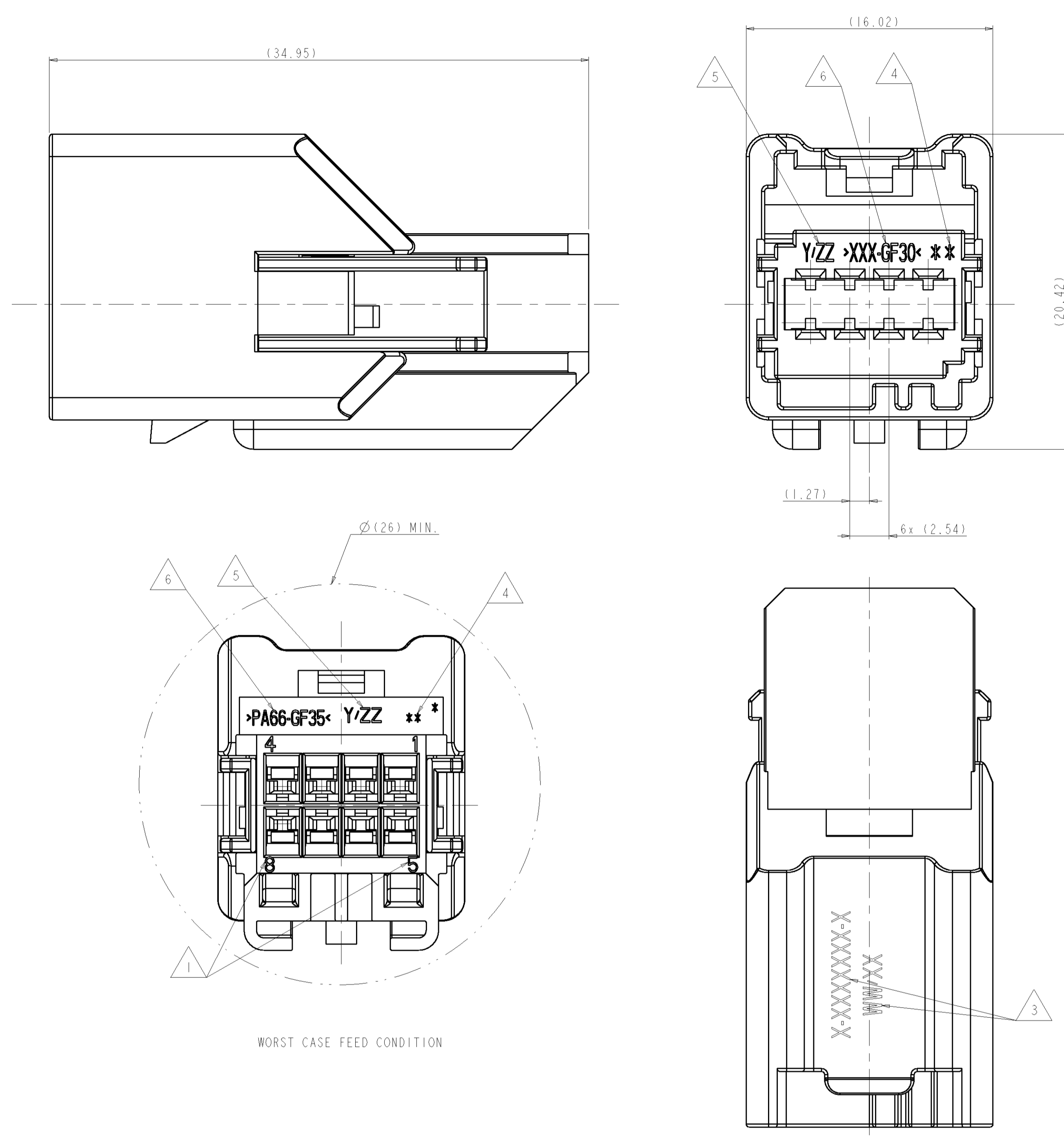


- NOTE:
- 1 MOLD TERMINAL POSITION NUMBERS LOCATED AS SHOWN
 - 2 DELIVERY CONDITION: SPACER IN PRE INSTALLED POSITION
 - 3 PART NUMBER AND TRACEABILITY CODE
 - 4 PRODUCT REVISION LEVEL OPTIONAL
 - 5 TOOL NUMBER AND CAVITY NUMBER OPTIONAL
 - 6 MATERIAL IDENTIFICATION
 - 7 PACKING: CONNECTOR ASSEMBLIES TO BE BULK PACKED IN CARD BOARD BOX



KEYING OPTION C IS SHOWN

TYCO ORDER-NUMBER	KEYING OPTIONS							
	A	C	D	E	F	G	H	
1411169-1								
1411169-3								
1411169-4								
1411169-5								
1411169-6								
1411169-7								
1411169-8								
TYCO ASSY-REV.	D	D	B	-	-	-	-	
	I	I	I	I	I	I	I	2
	-	-	-	-	-	-	-	I
	-	-	-	-	-	-	-	I
	-	-	-	I	-	-	-	I
	-	-	I	-	-	-	-	I
	-	I	-	-	-	-	-	I
	I	-	-	-	-	-	-	I
KEYING OPTIONS	ITEM	DESCRIPTION	MATERIAL	COLOUR				
		SPACER	PBT-GF30	RED				
		MALE HOUSING COD.H	PA66-GF35	GREY				
		MALE HOUSING COD.G	PA66-GF35	GREY				
		MALE HOUSING COD.F	PA66-GF35	GREY				
		MALE HOUSING COD.E	PA66-GF35	GREY				
		MALE HOUSING COD.D	PA66-GF35	GREY				
		MALE HOUSING COD.C	PA66-GF35	GREY				
		MALE HOUSING COD.A	PA66-GF35	GREY				

DIMENSIONS: mm		TOLERANCES UNLESS OTHERWISE SPECIFIED:		DWN: R. STUBBE 24MAR2002		ECHK: G. STEINBACH 29APR2002		Tyco Electronics Harrisburg, PA 17105-3608	
		0-ELC ± 1-PLC ± 2-PLC ± 3-PLC ± 4-PLC ± ANGLES ±		PRODUCT SPEC APPLICATION SPEC WEIGHT CUSTOMER DRAWING		NAME 2X4 POS. GET MALE CONNECTOR; UNSEALED ASSEMBLY		RESTRICTED TO SCALE 5:1 SHEET 1 OF 1 REV D	
MATERIAL		FINISH		APVD		APVD		SIZE: CAGE CODE DRAWING NO: 00779 C=1411169 DATE: 25MAR2002 DWN: M.D. DATE: 25JUN2002 M.D. DATE: 19DEC2002 MD DATE: 04NOV2005 CS GS DATE: 25MAR2007 HM GS	

X-ON Electronics

Largest Supplier of Electrical and Electronic Components

Click to view similar products for [Automotive Connectors](#) category:

Click to view products by [TE Connectivity](#) manufacturer:

Other Similar products are found below :

[003-018-000](#) [60403001](#) [60993906-B](#) [M902-2131](#) [M902-2161](#) [72.330.1035.1](#) [73.353.4028.0](#) [F119300-B](#) [F166900](#) [F258300-B](#) [F358300-B](#)
[F407400](#) [F444110](#) [F487000](#) [F509500B-B](#) [827153-1](#) [8N1515-32-24P](#) [9-1326729-8](#) [925474-1](#) [928905-1](#) [964562-4](#) [968782-1](#) [GT17SA-8DS-](#)
[HU](#) [98891-1012](#) [98947-1016](#) [12004147](#) [12004475-L](#) [12010290](#) [12010309-B](#) [12015454](#) [12020219-B](#) [12020308](#) [12041318-B](#) [12052225-L](#)
[12052466](#) [12059125](#) [12064869](#) [12004327-B](#) [12010503-B](#) [12015308](#) [12015384](#) [12015909](#) [1-21030-1](#) [12041254](#) [12041318](#) [12047946-B](#)
[12047957](#) [12047957-L](#) [12059473](#) [12066261](#)