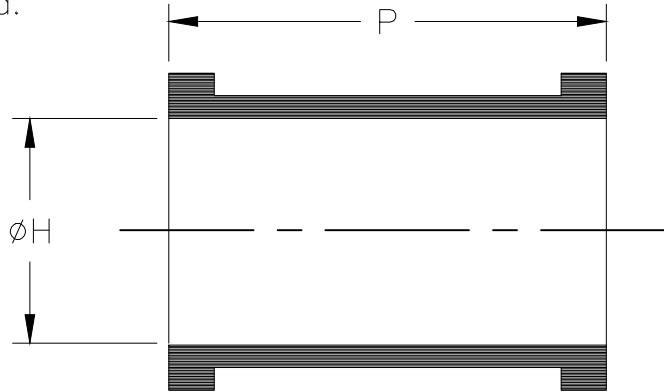
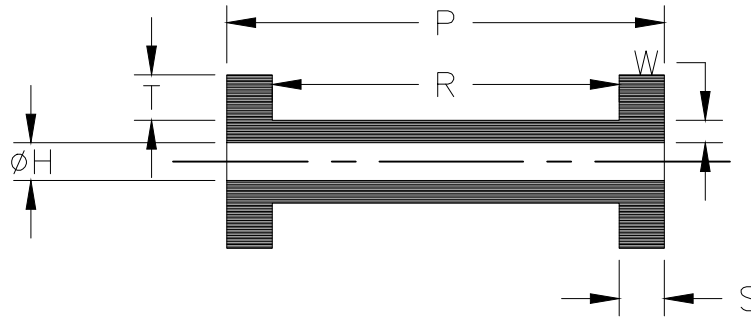


REVISIONS				
P	LTR	DESCRIPTION	DATE	APVD
	8	PRODUCTION ISSUE	04FEB2019	PNT MT

a) Part as supplied.



b) Part after unrestricted recovery.



Dimensions

Part No.	H		±2	P		±10%	±10%	±10%	±10%	±20%
	MIN	MAX		a	b					
202W302	32 [1.26]	9.5 [.37]	23 [.90]	35 [1.38]	25 [.98]	5.0 [.196]	3.0 [.12]	1.5 [.06]		
202W312	40 [1.57]	12.7 [.5]	24 [.94]	35 [1.38]	25 [.98]	5.0 [.196]	3.0 [.12]	2.0 [.08]		
202W321	10 [.39]	3.0 [.12]	25 [.98]	29 [1.14]	23 [.9]	3.0 [.12]	3.0 [.12]	1.5 [.06]		
202W331	22 [.87]	6.4 [.25]	20 [.79]	29 [1.14]	24 [.94]	2.5 [.098]	2.0 [.08]	1.5 [.06]		
202W342	36 [1.41]	18 [.70]	27 [1.06]	35 [1.38]	25 [.98]	5.0 [.196]	3.0 [.12]	2.0 [.08]		

THIS DRAWING IS UNPUBLISHED.

ALL RIGHTS RESERVED.

COPYRIGHT - TE Connectivity Ltd.



DIMENSIONS: mm [INCHES]	DWN	04FEB2019	MATERIAL	SEE SEET 2	FINISH	-
	CHK	N NAGAR	04FEB2019	TE Connectivity Ltd.		
TOLERANCES UNLESS OTHERWISE SPECIFIED:	APVD	M TAYLOR	04FEB2019			
0 PLC ± -	PRODUCT SPEC	NAME				
1 PLC ± -	-	BOBBIN				
2 PLC ± -	APPLICATION SPEC	-				
3 PLC ± -	-	SIZE	CAGE CODE	DRAWING NO	RESTRICTED TO	
4 PLC ± -	-	A4	00779	C-202W3XX-XX-0	-	
ANGLES ± -	WEIGHT	CUSTOMER DRAWING				
		SCALE	DNS	SHEET	1 OF 2	REV 8

REVISIONS				
P	LTR	DESCRIPTION	DATE	APVD
	-	SEE SHEET 1	-	-

COMPATIBILITY CHART

Material Dash Number	Material Description	RT Spec	Coating Slash No.	Coating S No.
-3	POLYOLEFIN, SEMI-RIGID	RT-301	/42, /86, /180	S1017; S1048; S1030
-4	POLYOLEFIN, FLEXIBLE	RT-1304	/42, /86, /180	S1017; S1048; S1030
-25	ELASTOMER, FLUID RESISTANT	RW-2070	/42, /86, /225	S1017; S1048; S1206

NOTES


- As supplied dimensions are for uncoated parts, when coating is added entry diameters will reduce by 1.5mm[.06] Max.

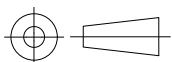
RELEASED FOR PUBLICATION

ALL RIGHTS RESERVED.

© COPYRIGHT - TE Connectivity Ltd.

THIS DRAWING IS UNPUBLISHED.

DIMENSIONS: mm [INCHES]	DWN PRAVEEN N T	04FEB2019	MATERIAL	-	FINISH	-
	CHK N NAGAR	04FEB2019	 TE Connectivity Ltd.			
TOLERANCES UNLESS OTHERWISE SPECIFIED:	APVD M TAYLOR	04FEB2019				
0 PLC ± -	PRODUCT SPEC	-	NAME	BOBBIN		
1 PLC ± -	APPLICATION SPEC	-	SIZE	CAGE CODE	DRAWING NO	RESTRICTED TO
2 PLC ± -			A4	00779	C-202W3XX-XX-0	-
3 PLC ± -			CUSTOMER DRAWING			
4 PLC ± -	WEIGHT	-	SCALE	DNS	SHEET	2 OF 2
ANGLES ± -					REV	8



X-ON Electronics

Largest Supplier of Electrical and Electronic Components

Click to view similar products for [Heat Shrink Cable Boots & End Caps](#) category:

Click to view products by [TE Connectivity](#) manufacturer:

Other Similar products are found below :

[577159N001](#) [645494-000](#) [CX4132-000](#) [687025-000](#) [705331-000](#) [718446-000](#) [725666N001](#) [729257-000](#) [F27131-000](#) [F85868-000](#) [770-003S106W2](#) [770-013210W1](#) [770-013311](#) [770-013312](#) [806542N001](#) [807507-000](#) [808059-000](#) [808362-000](#) [808618-000](#) [809125-000](#) [809130-000](#) [809218-000](#) [812014-000](#) [812047-000](#) [813166-000](#) [813767N002](#) [814741-000](#) [819117N001](#) [823026-000](#) [823070-000](#) [825002-000](#) [841189N001](#) [861471-000](#) [866647-000](#) [879515-000](#) [937577-000](#) [957073-000](#) [982033-2](#) [A77813-000](#) [R280576000](#) [D96192-000](#) [163549-000](#) [MTPSRBCL-C](#) [1954015-1](#) [200W531-3-0](#) [202A163-4-0-CS5067](#) [202A343-3-00-0](#) [202B221-13-0](#) [202B231-13-0](#) [202B563-25-07-0](#)