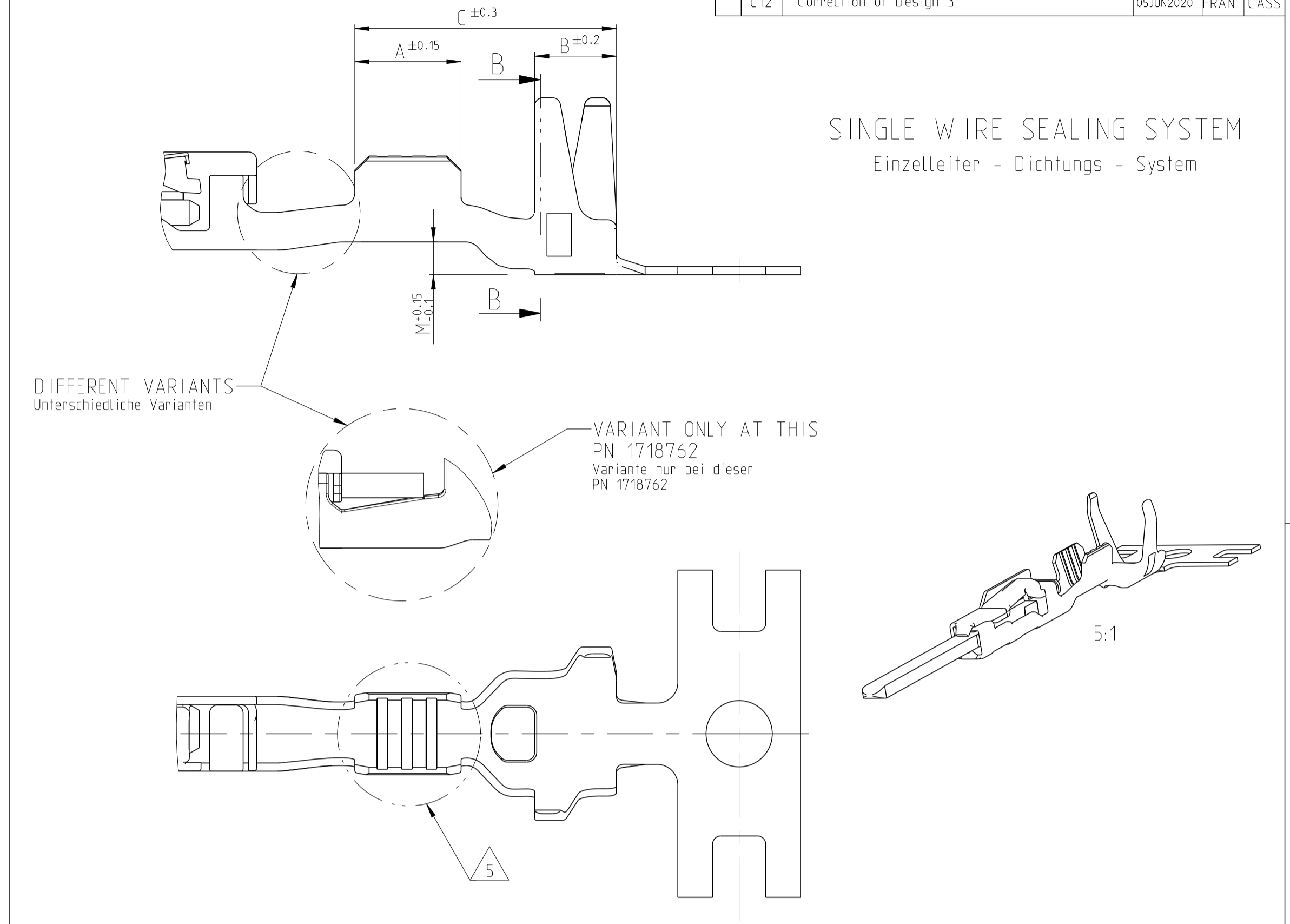
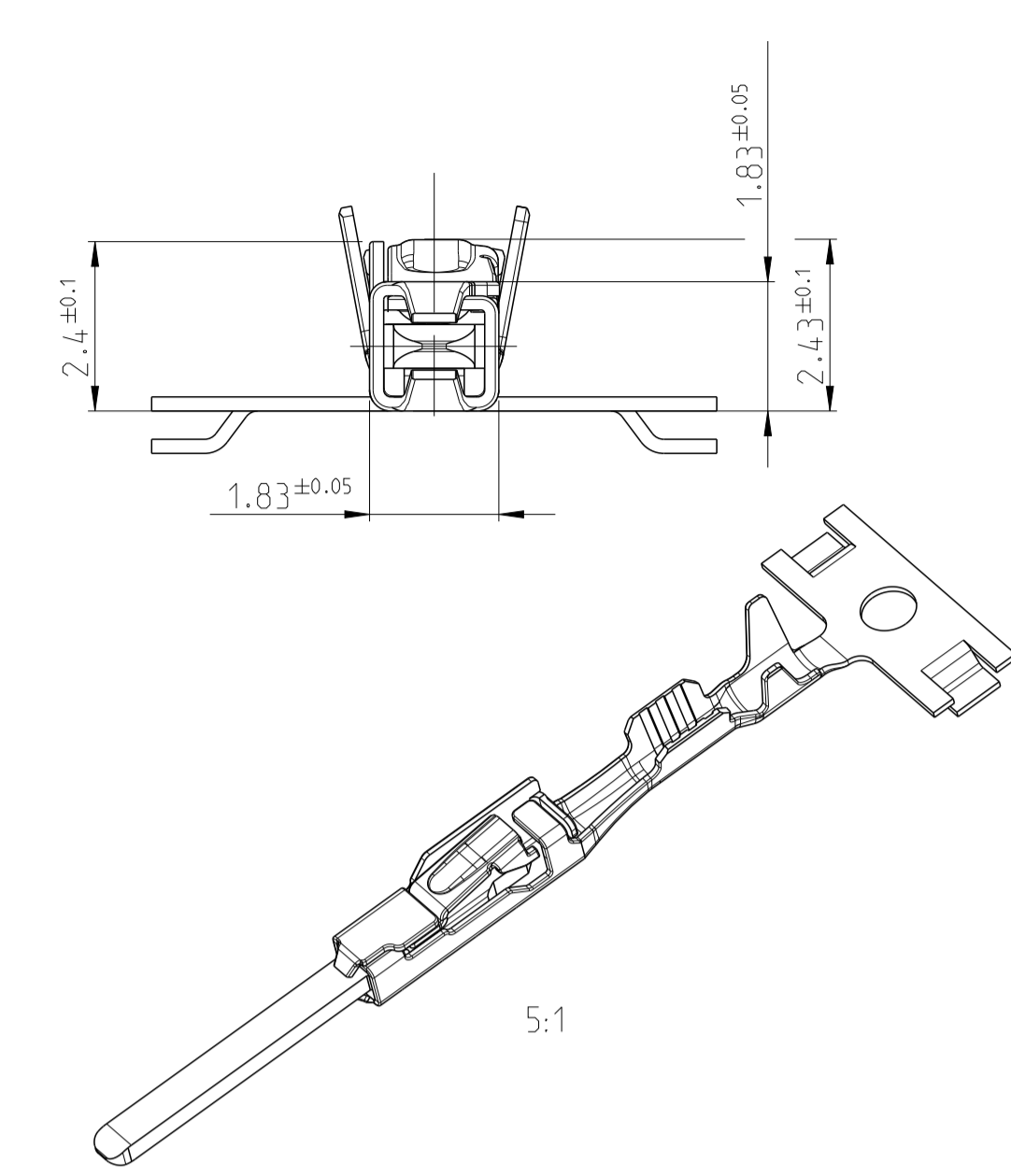
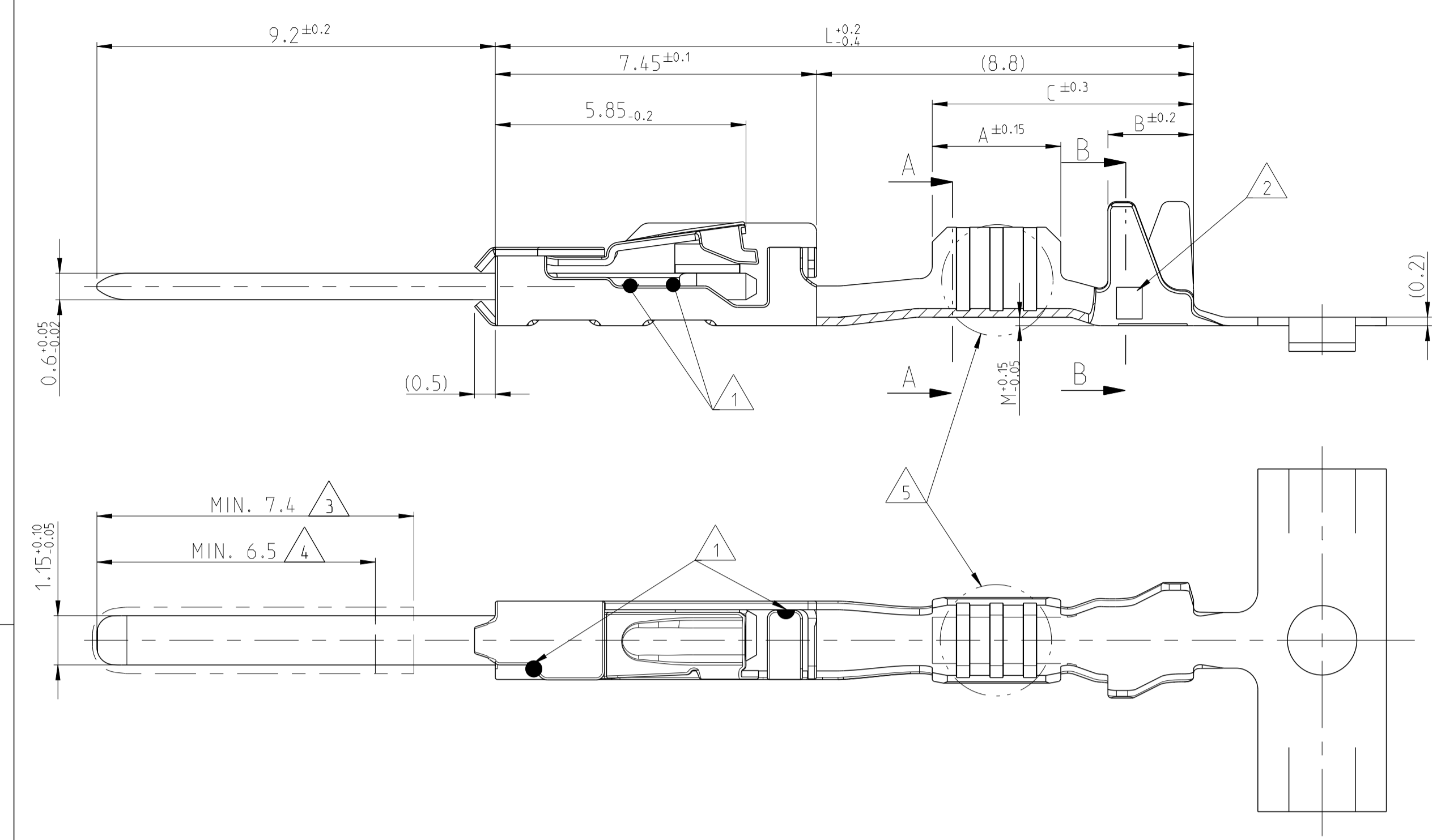


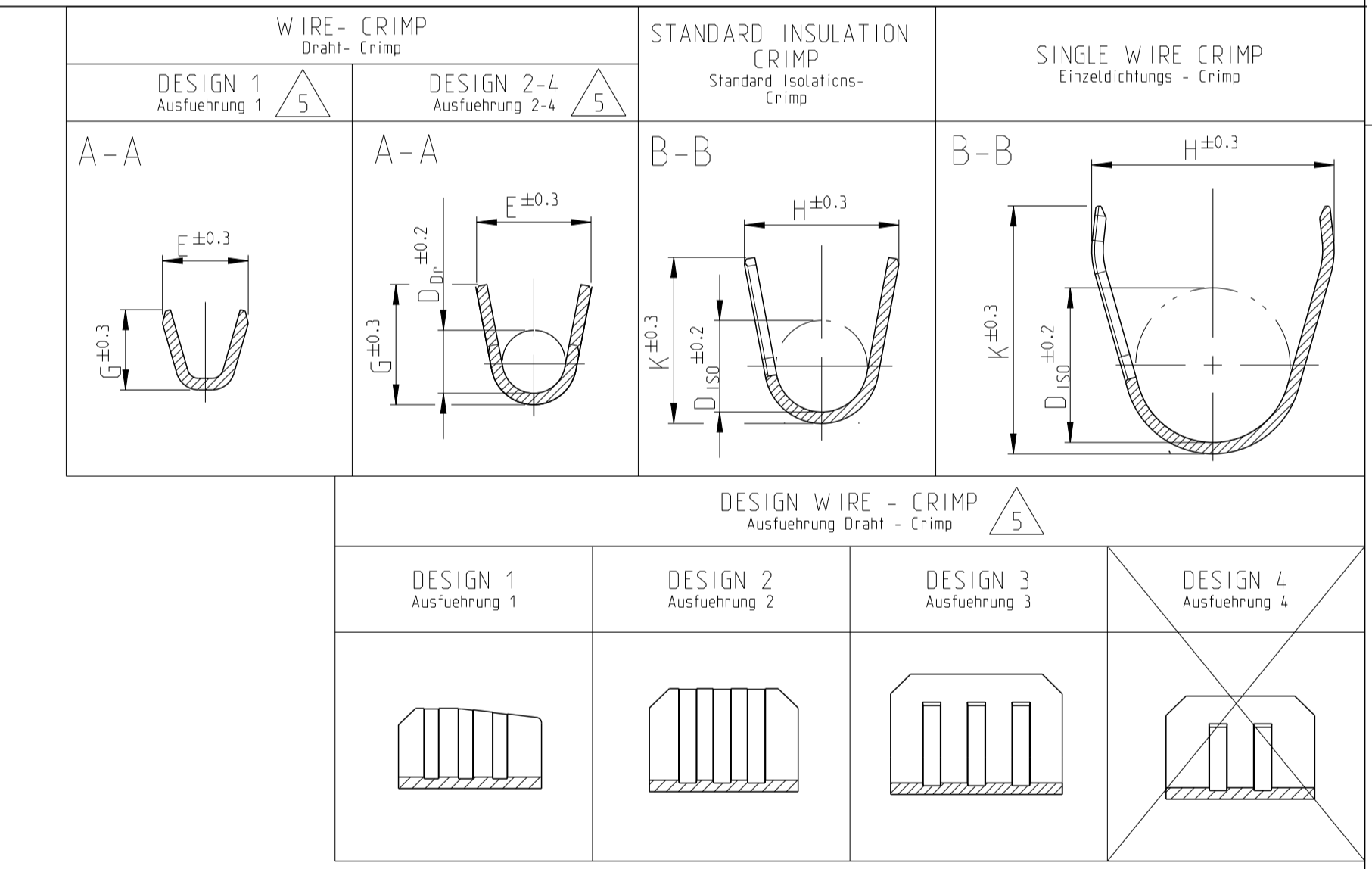
THE DRAWING SHOWS THE 2-DIMENSIONAL REFERENCE COMPONENT CONDITION OF THE ASSEMBLY TO IDENTIFY AND SPECIFY THE NECESSARY DIMENSIONS ONLY. THE DELIVERED PARTS MAY DEVIATE FROM THE DRAWING REGARDING THE ORIENTATION AND POSITION OF EACH COMPONENT (e.g. SLACK CABLE), SO FAR THE FUNCTIONALITY IS NOT CONCERNED.

DIE ZEICHNUNG ZEIGT DEN 2-DIMENSIONAL IDEALZUSTAND DES ZUSAMMENBAUTEILS BEZÜGLICH DER KOMPONENTEN ZUR IDENTIFIKATION UND SPEZIFIKATION DER NOTWENDIGEN DIMENSIONEN. HINSICHTLICH DER ORIENTIERUNG UND DER LAGE DER KOMPONENTEN (Z.B. BIEGESCHLAPTES KABEL) KÖNNEN DIE DELIEFERTEN TEILE VON DER ZEICHNUNG ABWEICHEN, SOFERN DIE FUNKTIONALITÄT NICHT BEEINTRÄCHTIGT IST.

REVISONS		DATE	DWN	APVD
AI	-			
PROJECT No.	C9	ECR-15-012070	22SEP2015	JB,HH BK
EGAUT 02021	C10	DIM 'L' FOR 2141868-1, -2 and -3 IS CHANGED TO 16.3mm	06OCT2017	GH CASS
	C11	E-19-013005	20AUG2019	FRAN CASS
	C12	Correction of Design 3	05JUN2020	FRAN CASS



INSULATION CRIMP FOR Isolationsschraubfeder	ORDER NO. Bestell-Nr. STRIP Bandware	REV	WIRE RANGE Drahtgrößenbereich (mm²)	INSULATION-Ø Isolations-Ø (mm)	BODY Kontaktkörper	TAB Flachstecker	BODY Kontaktkörper	SPRING Kontaktfeder	DESIGN WIRE-CRIMP Ausführung Draht-Crimp	LENGTH Laenge	WIRE CRIMP Drahtcrimp	INSULATION CRIMP Isolations Crimp	DIMENSION Mass 'L' (mm)	
SINGLE WIRE SEALING SYSTEM / Einzeldichtungssystem SEE APPLICATION SPECIFICATION / siehe Verarbeitungsspezifikation	1718762-3	B							4					
	1718762-2	C	1.0 - 1.5	1.9 - 2.4	CuNiSi	CuSn0.15/0.2	TIN PLATED verzinkt	3	2	A = 3.0 B = 2.0 C = 6.8	E = 2.6 G = 2.9 D _{or} = 1.35	H = 4.4 K = 4.3 D ₁₅₀ = 2.9 M = 0.8	16.8	
	1718762-1	B							4					
	1718760-3	A							4					
	1718760-2	B	0.5 - 0.75	1.4 - 1.9	CuNiSi	CuSn0.15/0.2	TIN PLATED verzinkt	3	2	A = 2.6 B = 2.0 C = 6.4	E = 2.0 G = 2.1 D _{or} = 1.1	H = 4.2 K = 4.3 D ₁₅₀ = 2.7 M = 0.8	16.3	
	1718760-1	A							4					
	1718758-3	A							4					
	1718758-2	B	0.25 - 0.35	1.1 - 1.75	CuNiSi	CuSn0.15/0.2	TIN PLATED verzinkt	3	2	A = 2.6 B = 2.0 C = 6.4	E = 1.8 G = 1.8 D _{or} = 0.8	H = 4.2 K = 4.3 D ₁₅₀ = 2.6 M = 0.8	16.3	
	1718758-1	A							4					
	2141868-3	A							4					
	2141868-2	A	0.13 - 0.22	2.6	CuNiSi	CuSn0.15/0.2	TIN PLATED verzinkt	3	1	A = 2.5 B = 1.9 C = 6.2	E = 1.5 G = 1.4	H = 4.0 K = 4.1 D ₁₅₀ = 2.6 M = 0.6	16.3	
	2141868-1	A							4					
FLR CABLE / Leitung SEE APPLICATION SPECIFICATION / siehe Verarbeitungsspezifikation	1418762-3	A							4					
	1418762-2	B	1.0 - 1.5	1.9 - 2.4	CuNiSi	CuSn0.15/0.2	TIN PLATED verzinkt	3	3	A = 3.0 B = 2.0 C = 6.1	E = 2.6 G = 2.9 D _{or} = 1.35	H = 3.7 K = 3.9 D ₁₅₀ = 2.1 M = 0.2	16.3	
	1418762-1	A							4					
	5-1418760-3	A							4					
	5-1418760-2	A	0.5 - 0.75	1.4 - 1.9	CuNiSi	CuSn0.15/0.2	TIN PLATED verzinkt	3	2	A = 3.0 B = 2.0 C = 6.1	E = 2.0 G = 2.1 D _{or} = 1.1	H = 2.7 K = 2.9 D ₁₅₀ = 1.6 M = 0.2	16.3	
	5-1418760-1	A							4					
	1418760-3	B							4					
	1418760-2	C	0.5 - 0.75	1.4 - 1.9	CuNiSi	CuSn0.15/0.2	TIN PLATED verzinkt	3	3	A = 3.0 B = 2.0 C = 6.1	E = 2.0 G = 2.1 D _{or} = 1.1	H = 2.7 K = 2.9 D ₁₅₀ = 1.6 M = 0.2	16.3	Superseded
	1418760-1	B							4					
	5-1418758-3	A							4					
	5-1418758-2	B	0.25 - 0.35	1.1 - 1.75	CuNiSi	CuSn0.15/0.2	TIN PLATED verzinkt	3	2	A = 2.6 B = 2.0 C = 5.7	E = 1.8 G = 1.8 D _{or} = 0.8	H = 2.6 K = 2.6 D ₁₅₀ = 1.4 M = 0.2	16.3	
	5-1418758-1	A							4					
1418758-3	A							4						
1418758-2	B	0.25 - 0.35	1.1 - 1.75	CuNiSi	CuSn0.15/0.2	TIN PLATED verzinkt	3	4	A = 2.6 B = 2.0 C = 5.7	E = 1.8 G = 1.8 D _{or} = 0.8	H = 2.6 K = 2.6 D ₁₅₀ = 1.4 M = 0.2	16.3	Superseded	
1418758-1	A							4						
2141864-3	A							4						
2141864-2	A	0.13 - 0.22	0.85 - 1.2	CuNiSi	CuSn0.15/0.2	TIN PLATED verzinkt	3	1	A = 2.5 B = 1.7 C = 5.4	E = 1.5 G = 1.4	H = 2.0 K = 1.9 D ₁₅₀ = 1.1	15.3		
2141864-1	A							4						



- 1 LASER WELDED Lasergeschweisst
- 2 REVISION STATUS Revisionsstand
- 3 CONTACT AREA TAB MIN. 0.8µm SELECTIV GOLD OVER Ni Kontaktzone selectiv vergoldet min. 0.8µm ueber Ni
- 4 CONTACT AREA TAB MIN. 2.0µm SELECTIV SILVER Kontaktzone selectiv versilbert min. 2.0µm
- 5 DIFFERENT FORM OF THE SERRATIONS AND WIRE-CRIMP POSSIBLE unterschiedliche Ausfuehrung der Rillen und des Draht-Crimps moeglich
- 6 RELEASED WIRE. SEE APPLICATION SPEC. TE 114-18464 Freigegebene Leitung, siehe APPLICATION SPEC. TE 114-18464

PRODUCT CHARACTERISTICS ACC. QMP 1.12 BESONDERE MERKMALE NACH QMP 1.12	TOLERANCING ISO 8015 TOLERIERUNG ISO 8015
THIS DRAWING IS A CONTROLLED DOCUMENT. DIESER ZEICHNUNGSDRUCK IST EIN KONTROLLIERTES DOKUMENT. ANWENDEBARE STANDARTE: ISO 9001:2015, ISO 14001:2015, ISO 45001:2018, ISO 14878:2015, ISO 14879:2015, ISO 14880:2015, ISO 14881:2015, ISO 14882:2015, ISO 14883:2015, ISO 14884:2015, ISO 14885:2015, ISO 14886:2015, ISO 14887:2015, ISO 14888:2015, ISO 14889:2015, ISO 14890:2015, ISO 14891:2015, ISO 14892:2015, ISO 14893:2015, ISO 14894:2015, ISO 14895:2015, ISO 14896:2015, ISO 14897:2015, ISO 14898:2015, ISO 14899:2015, ISO 14900:2015, ISO 14901:2015, ISO 14902:2015, ISO 14903:2015, ISO 14904:2015, ISO 14905:2015, ISO 14906:2015, ISO 14907:2015, ISO 14908:2015, ISO 14909:2015, ISO 14910:2015, ISO 14911:2015, ISO 14912:2015, ISO 14913:2015, ISO 14914:2015, ISO 14915:2015, ISO 14916:2015, ISO 14917:2015, ISO 14918:2015, ISO 14919:2015, ISO 14920:2015, ISO 14921:2015, ISO 14922:2015, ISO 14923:2015, ISO 14924:2015, ISO 14925:2015, ISO 14926:2015, ISO 14927:2015, ISO 14928:2015, ISO 14929:2015, ISO 14930:2015, ISO 14931:2015, ISO 14932:2015, ISO 14933:2015, ISO 14934:2015, ISO 14935:2015, ISO 14936:2015, ISO 14937:2015, ISO 14938:2015, ISO 14939:2015, ISO 14940:2015, ISO 14941:2015, ISO 14942:2015, ISO 14943:2015, ISO 14944:2015, ISO 14945:2015, ISO 14946:2015, ISO 14947:2015, ISO 14948:2015, ISO 14949:2015, ISO 14950:2015, ISO 14951:2015, ISO 14952:2015, ISO 14953:2015, ISO 14954:2015, ISO 14955:2015, ISO 14956:2015, ISO 14957:2015, ISO 14958:2015, ISO 14959:2015, ISO 14960:2015, ISO 14961:2015, ISO 14962:2015, ISO 14963:2015, ISO 14964:2015, ISO 14965:2015, ISO 14966:2015, ISO 14967:2015, ISO 14968:2015, ISO 14969:2015, ISO 14970:2015, ISO 14971:2015, ISO 14972:2015, ISO 14973:2015, ISO 14974:2015, ISO 14975:2015, ISO 14976:2015, ISO 14977:2015, ISO 14978:2015, ISO 14979:2015, ISO 14980:2015, ISO 14981:2015, ISO 14982:2015, ISO 14983:2015, ISO 14984:2015, ISO 14985:2015, ISO 14986:2015, ISO 14987:2015, ISO 14988:2015, ISO 14989:2015, ISO 14990:2015, ISO 14991:2015, ISO 14992:2015, ISO 14993:2015, ISO 14994:2015, ISO 14995:2015, ISO 14996:2015, ISO 14997:2015, ISO 14998:2015, ISO 14999:2015, ISO 15000:2015, ISO 15001:2015, ISO 15002:2015, ISO 15003:2015, ISO 15004:2015, ISO 15005:2015, ISO 15006:2015, ISO 15007:2015, ISO 15008:2015, ISO 15009:2015, ISO 15010:2015, ISO 15011:2015, ISO 15012:2015, ISO 15013:2015, ISO 15014:2015, ISO 15015:2015, ISO 15016:2015, ISO 15017:2015, ISO 15018:2015, ISO 15019:2015, ISO 15020:2015, ISO 15021:2015, ISO 15022:2015, ISO 15023:2015, ISO 15024:2015, ISO 15025:2015, ISO 15026:2015, ISO 15027:2015, ISO 15028:2015, ISO 15029:2015, ISO 15030:2015, ISO 15031:2015, ISO 15032:2015, ISO 15033:2015, ISO 15034:2015, ISO 15035:2015, ISO 15036:2015, ISO 15037:2015, ISO 15038:2015, ISO 15039:2015, ISO 15040:2015, ISO 15041:2015, ISO 15042:2015, ISO 15043:2015, ISO 15044:2015, ISO 15045:2015, ISO 15046:2015, ISO 15047:2015, ISO 15048:2015, ISO 15049:2015, ISO 15050:2015, ISO 15051:2015, ISO 15052:2015, ISO 15053:2015, ISO 15054:2015, ISO 15055:2015, ISO 15056:2015, ISO 15057:2015, ISO 15058:2015, ISO 15059:2015, ISO 15060:2015, ISO 15061:2015, ISO 15062:2015, ISO 15063:2015, ISO 15064:2015, ISO 15065:2015, ISO 15066:2015, ISO 15067:2015, ISO 15068:2015, ISO 15069:2015, ISO 15070:2015, ISO 15071:2015, ISO 15072:2015, ISO 15073:2015, ISO 15074:2015, ISO 15075:2015, ISO 15076:2015, ISO 15077:2015, ISO 15078:2015, ISO 15079:2015, ISO 15080:2015, ISO 15081:2015, ISO 15082:2015, ISO 15083:2015, ISO 15084:2015, ISO 15085:2015, ISO 15086:2015, ISO 15087:2015, ISO 15088:2015, ISO 15089:2015, ISO 15090:2015, ISO 15091:2015, ISO 15092:2015, ISO 15093:2015, ISO 15094:2015, ISO 15095:2015, ISO 15096:2015, ISO 15097:2015, ISO 15098:2015, ISO 15099:2015, ISO 15100:2015, ISO 15101:2015, ISO 15102:2015, ISO 15103:2015, ISO 15104:2015, ISO 15105:2015, ISO 15106:2015, ISO 15107:2015, ISO 15108:2015, ISO 15109:2015, ISO 15110:2015, ISO 15111:2015, ISO 15112:2015, ISO 15113:2015, ISO 15114:2015, ISO 15115:2015, ISO 15116:2015, ISO 15117:2015, ISO 15118:2015, ISO 15119:2015, ISO 15120:2015, ISO 15121:2015, ISO 15122:2015, ISO 15123:2015, ISO 15124:2015, ISO 15125:2015, ISO 15126:2015, ISO 15127:2015, ISO 15128:2015, ISO 15129:2015, ISO 15130:2015, ISO 15131:2015, ISO 15132:2015, ISO 15133:2015, ISO 15134:2015, ISO 15135:2015, ISO 15136:2015, ISO 15137:2015, ISO 15138:2015, ISO 15139:2015, ISO 15140:2015, ISO 15141:2015, ISO 15142:2015, ISO 15143:2015, ISO 15144:2015, ISO 15145:2015, ISO 15146:2015, ISO 15147:2015, ISO 15148:2015, ISO 15149:2015, ISO 15150:2015, ISO 15151:2015, ISO 15152:2015, ISO 15153:2015, ISO 15154:2015, ISO 15155:2015, ISO 15156:2015, ISO 15157:2015, ISO 15158:2015, ISO 15159:2015, ISO 15160:2015, ISO 15161:2015, ISO 15162:2015, ISO 15163:2015, ISO 15164:2015, ISO 15165:2015, ISO 15166:2015, ISO 15167:2015, ISO 15168:2015, ISO 15169:2015, ISO 15170:2015, ISO 15171:2015, ISO 15172:2015, ISO 15173:2015, ISO 15174:2015, ISO 15175:2015, ISO 15176:2015, ISO 15177:2015, ISO 15178:2015, ISO 15179:2015, ISO 15180:2015, ISO 15181:2015, ISO 15182:2015, ISO 15183:2015, ISO 15184:2015, ISO 15185:2015, ISO 15186:2015, ISO 15187:2015, ISO 15188:2015, ISO 15189:2015, ISO 15190:2015, ISO 15191:2015, ISO 15192:2015, ISO 15193:2015, ISO 15194:2015, ISO 15195:2015, ISO 15196:2015, ISO 15197:2015, ISO 15198:2015, ISO 15199:2015, ISO 15200:2015, ISO 15201:2015, ISO 15202:2015, ISO 15203:2015, ISO 15204:2015, ISO 15205:2015, ISO 15206:2015, ISO 15207:2015, ISO 15208:2015, ISO 15209:2015, ISO 15210:2015, ISO 15211:2015, ISO 15212:2015, ISO 15213:2015, ISO 15214:2015, ISO 15215:2015, ISO 15216:2015, ISO 15217:2015, ISO 15218:2015, ISO 15219:2015, ISO 15220:2015, ISO 15221:2015, ISO 15222:2015, ISO 15223:2015, ISO 15224:2015, ISO 15225:2015, ISO 15226:2015, ISO 15227:2015, ISO 15228:2015, ISO 15229:2015, ISO 15230:2015, ISO 15231:2015, ISO 15232:2015, ISO 15233:2015, ISO 15234:2015, ISO 15235:2015, ISO 15236:2015, ISO 15237:2015, ISO 15238:2015, ISO 15239:2015, ISO 15240:2015, ISO 15241:2015, ISO 15242:2015, ISO 15243:2015, ISO 15244:2015, ISO 15245:2015, ISO 15246:2015, ISO 15247:2015, ISO 15248:2015, ISO 15249:2015, ISO 15250:2015, ISO 15251:2015, ISO 15252:2015, ISO 15253:2015, ISO 15254:2015, ISO 15255:2015, ISO 15256:2015, ISO 15257:2015, ISO 15258:2015, ISO 15259:2015, ISO 15260:2015, ISO 15261:2015, ISO 15262:2015, ISO 15263:2015, ISO 15264:2015, ISO 15265:2015, ISO 15266:2015, ISO 15267:2015, ISO 15268:2015, ISO 15269:2015, ISO 15270:2015, ISO 15271:2015, ISO 15272:2015, ISO 15273:2015, ISO 15274:2015, ISO 15275:2015, ISO 15276:2015, ISO 15277:2015, ISO 15278:2015, ISO 15279:2015, ISO 15280:2015, ISO 15281:2015, ISO 15282:2015, ISO 15283:2015, ISO 15284:2015, ISO 15285:2015, ISO 15286:2015, ISO 15287:2015, ISO 15288:2015, ISO 15289:2015, ISO 15290:2015, ISO 15291:2015, ISO 15292:2015, ISO 15293:2015, ISO 15294:2015, ISO 15295:2015, ISO 15296:2015, ISO 15297:2015, ISO 15298:2015, ISO 15299:2015, ISO 15300:2015, ISO 15301:2015, ISO 15302:2015, ISO 15303:2015, ISO 15304:2015, ISO 15305:2015, ISO 15306:2015, ISO 15307:2015, ISO 15308:2015, ISO 15309:2015, ISO 15310:2015, ISO 15311:2015, ISO 15312:2015, ISO 15313:2015, ISO 15314:2015, ISO 15315:2015, ISO 15316:2015, ISO 15317:2015, ISO 15318:2015, ISO 15319:2015, ISO 15320:2015, ISO 15321:2015, ISO 15322:2015, ISO 15323:2015, ISO 15324:2015, ISO 15325:2015, ISO 15326:2015, ISO 15327:2015, ISO 15328:2015, ISO 15329:2015, ISO 15330:2015, ISO 15331:2015, ISO 15332:2015, ISO 15333:2015, ISO 15334:2015, ISO 15335:2015, ISO 15336:2015, ISO 15337:2015, ISO 15338:2015, ISO 15339:2015, ISO 15340:2015, ISO 15341:2015, ISO 15342:2015, ISO 15343:2015, ISO 15344:2015, ISO 15345:2015, ISO 15346:2015, ISO 15347:2015, ISO 15348:2015, ISO 15349:2015, ISO 15350:2015, ISO 15351:2015, ISO 15352:2015, ISO 15353:2015, ISO 15354:2015, ISO 15355:2015, ISO 15356:2015, ISO 15357:2015, ISO 15358:2015, ISO 15359:2015, ISO 15360:2015, ISO 15361:2015, ISO 15362:2015, ISO 15363:2015, ISO 15364:2015, ISO 15365:2015, ISO 15366:2015, ISO 15367:2015, ISO 15368:2015, ISO 15369:2015, ISO 15370:2015, ISO 15371:2015, ISO 15372:2015, ISO 1537	

X-ON Electronics

Largest Supplier of Electrical and Electronic Components

Click to view similar products for [Automotive Connectors](#) category:

Click to view products by [TE Connectivity](#) manufacturer:

Other Similar products are found below :

[003-018-000](#) [60403001](#) [60993906-B](#) [M902-2131](#) [M902-2161](#) [72.330.1035.1](#) [73.353.4028.0](#) [F119300-B](#) [F166900](#) [F258300-B](#) [F358300-B](#)
[F407400](#) [F444110](#) [F487000](#) [F509500B-B](#) [827153-1](#) [8N1515-32-24P](#) [9-1326729-8](#) [925474-1](#) [928905-1](#) [964562-4](#) [968782-1](#) [GT17SA-8DS-](#)
[HU](#) [98891-1012](#) [98947-1016](#) [12004147](#) [12004475-L](#) [12010290](#) [12010309-B](#) [12015454](#) [12020219-B](#) [12020308](#) [12041318-B](#) [12052225-L](#)
[12052466](#) [12059125](#) [12064869](#) [12004327-B](#) [12010503-B](#) [12015308](#) [12015384](#) [12015909](#) [1-21030-1](#) [12041254](#) [12041318](#) [12047946-B](#)
[12047957](#) [12047957-L](#) [12059473](#) [12066261](#)