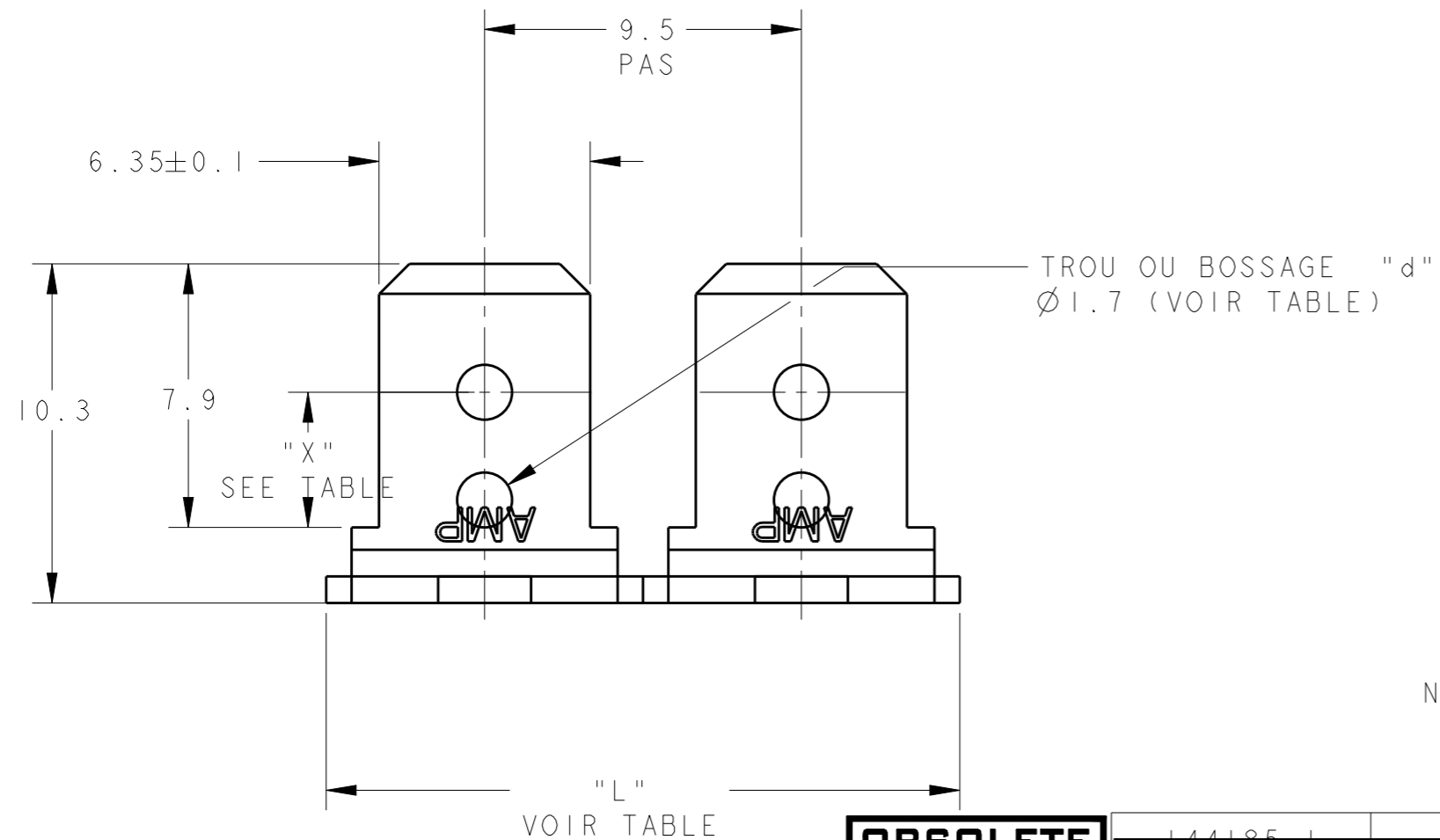


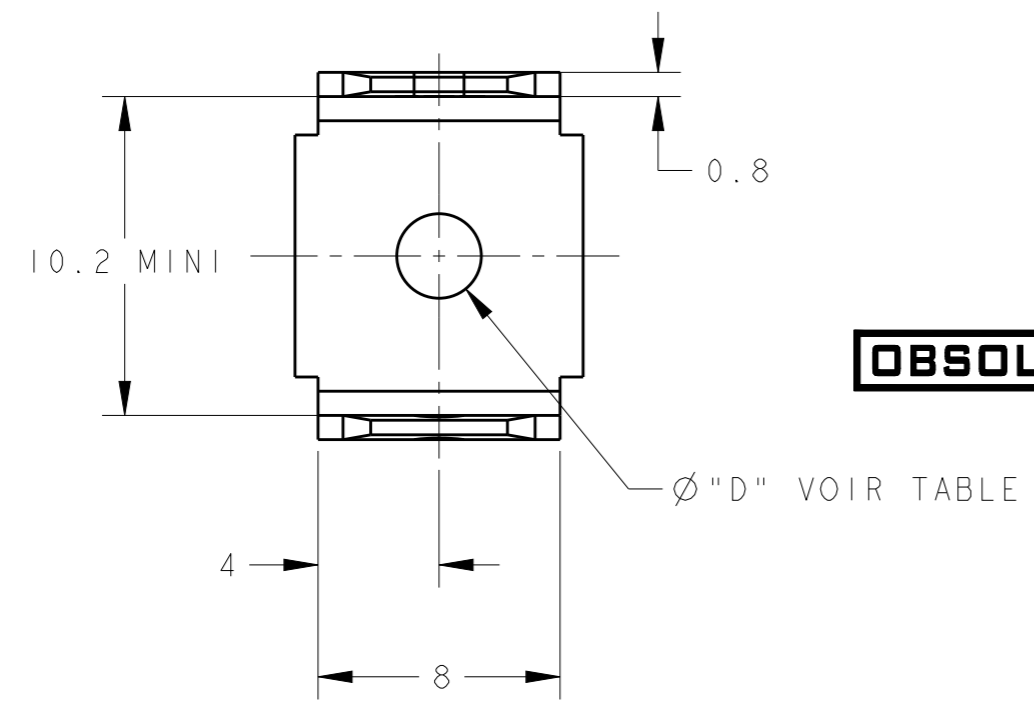
THIS DRAWING IS UNPUBLISHED.
 DIFFUSION RESTREINTE AMP
 © COPYRIGHT 20 BY TYCO ELECTRONICS CORPORATION. ALL RIGHTS RESERVED.
 TOUS DROITS RESERVES

RELEASED FOR PUBLICATION
 LIBRE A LA DIFFUSION
 20

LOC	DIST	REVISIONS				
P	LTR REV	DESCRIPTION MODIFICATIONS	DATE	DWN DESS.	APVD APP.	
F	7	G	140617/140722-1/-2 REACTIVE	OCT1992	JJD -	
		H	REDESSINE EN CAO	13OCT2000	JJD -	
		HI	REVISED PER ECR-17-009309	06JUL2017	BH RP	



NOTE : la position du trou (cote 4.1) est hors standard pour les ref. 141705-1/-2



OBSOLETE

OBSOLETE

Reference	Finition	"L"	"D" ^{+0.12} ₋₀	"X"±0.1	"d"	Nombre de paires
144185-1	brut	17.6	4.1	3.4	trou	2
141878-3	brut	en bande	4.1	3.4	trou	en bande
141878-2	etame	8	4.1	3.4	trou	1
141878-1	brut	8	4.1	3.4	trou	1
141705-2	etame	27.3	4.1	4.05	trou	3
141705-1	brut	27.3	4.1	4.05	trou	3
140722-2	etame	en bande	4.1	4.05	bossage	en bande
140722-1	brut	en bande	4.1	4.05	bossage	en bande
140617-0	brut	27.3	4.1	4.05	bossage	3
140613-0	brut	8	4.1	4.05	bossage	1

<small>THIS DRAWING IS A CONTROLLED DOCUMENT FOR TYCO ELECTRONICS CORPORATION IT IS SUBJECT TO CHANGE AND THE CONTROLLING ENGINEERING ORGANIZATION SHOULD BE CONTACTED FOR THE LATEST REVISION.</small> <small>CE PLAN EST UN DOCUMENT CONTROLE PAR AMP INCORPORATED. IL EST SUSCEPTIBLE D'ETRE REVISE. CONTACTER LE SERVICE TECHNIQUE D'AMP DE FRANCE POUR OBTENIR LA DERNIERE REVISION.</small>		DWN/DESSINE JJ. DESPRETZ 13OCT2000 CHK/VERIFIE -		AMP AMP DE FRANCE 95301 PONTOISE	
DIMENSIONS: mm 		TOLERANCES UNLESS OTHERWISE SPECIFIED: TOLERANCES NON SPECIFIEES (SUIV NB DE DECIMALES): 0 PLC/DEC: ±0.3 1 PLC/DEC: ±0.3 2 PLC/DEC: ± 3 PLC/DEC: ± 4 PLC/DEC: ± ANGLES ±1 DEG		NAME TITRE LANGUETTE DOUBLE PLIEE A 90 DEG. FASTON TABS .250 SERIES BENT	
MATERIAL /MATIERE LAITON		FINISH /FINITION VOIR TABLE		APPLICATION SPEC SPEC. APPLICATION - WEIGHT MASSE APPROX. - SIZE FORMAT A3 CAGE CODE 00779 DRAWING NO No PLAN C-140613 RESTRICTED TO RESERVE A -	
CUSTOMER DRAWING /PLAN CLIENT			UNIQUEMENT POUR REFERENCE		SCALE ECHELLE 5:1
		SHEET FEUILLE	OF DE	REV HI	

X-ON Electronics

Largest Supplier of Electrical and Electronic Components

Click to view similar products for [Terminals](#) category:

Click to view products by [TE Connectivity](#) manufacturer:

Other Similar products are found below :

[00-054007-01074-6](#) [00-054007-70206-1](#) [00-054007-70210-8](#) [00-054007-70217-7](#) [00-054007-70226-9](#) [00-054007-70228-3](#) [00-054007-70248-1](#) [00-054007-70256-6](#) [00-054007-70301-3](#) [00-054007-70316-7](#) [0-0320562-0](#) [00-054007-49560-4](#) [00-054007-70209-2](#) [00-054007-70225-2](#) [00-054007-70227-6](#) [00-054007-70231-3](#) [00-054007-70241-2](#) [00-054007-70242-9](#) [00-054007-70244-3](#) [00-054007-70246-7](#) [00-054007-70263-4](#) [00-054007-70288-7](#) [00-054007-70290-0](#) [00-054007-70300-6](#) [00-054007-70304-4](#) [01-2065-1-0216](#) [01-2900-1-04412](#) [00581P0075](#) [600TS-10](#) [60205-1](#) [604200-1](#) [605601-1](#) [60598-1-CUT-TAPE](#) [61314-6-C](#) [61810-3](#) [61-S](#) [61-SN](#) [626-0194](#) [62-NBM-A](#) [62-SN](#) [62-SP](#) [63-S](#) [640179-1](#) [M55155/059I03](#) [M55155/079C01](#) [M55155/099H02](#) [M55155/109H01](#) [M55155/109H02](#) [M55155/12XH05](#) [M55155/16XH02](#)