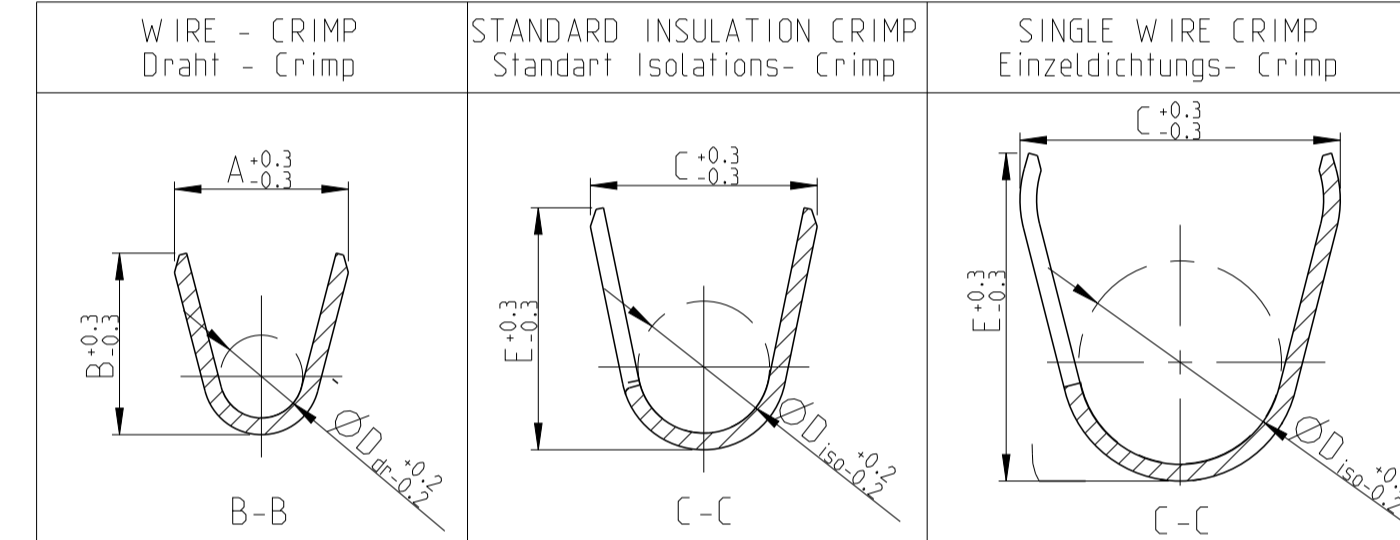
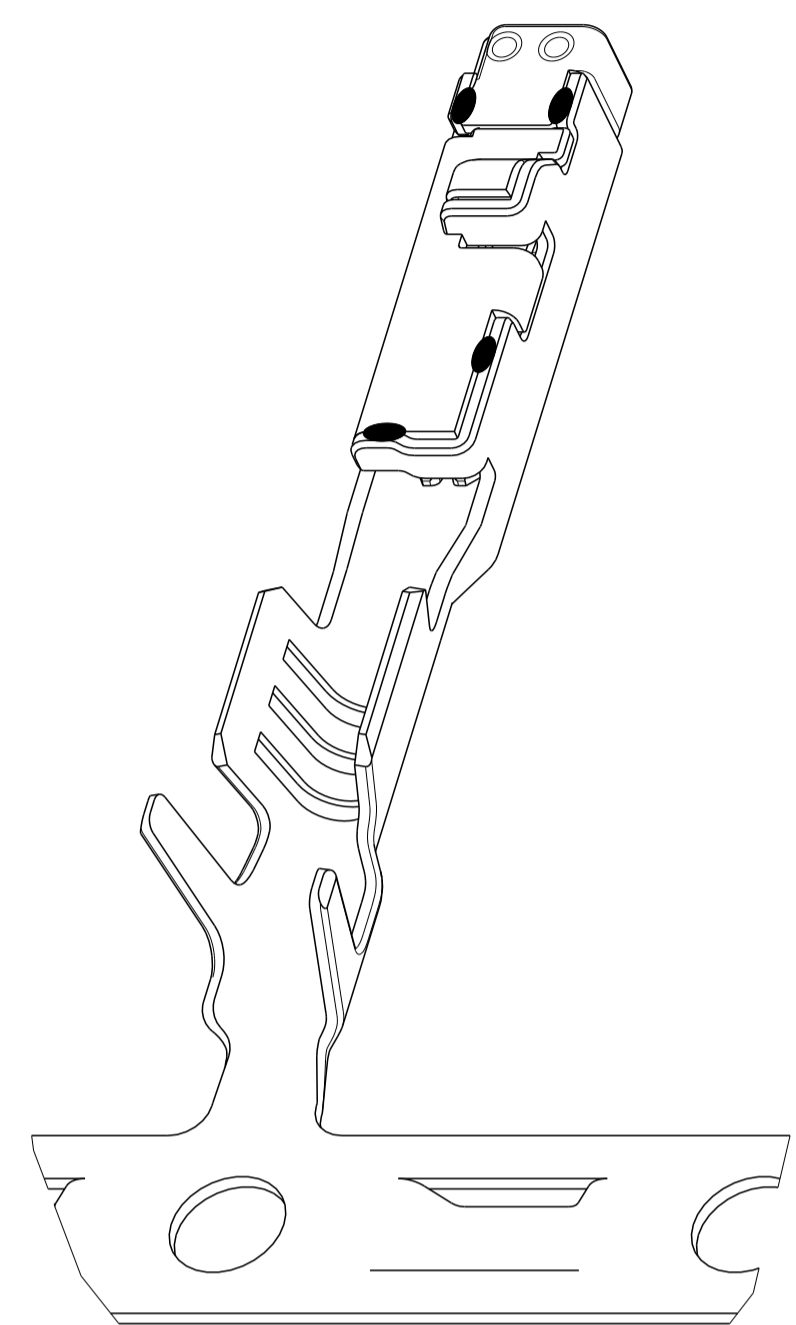
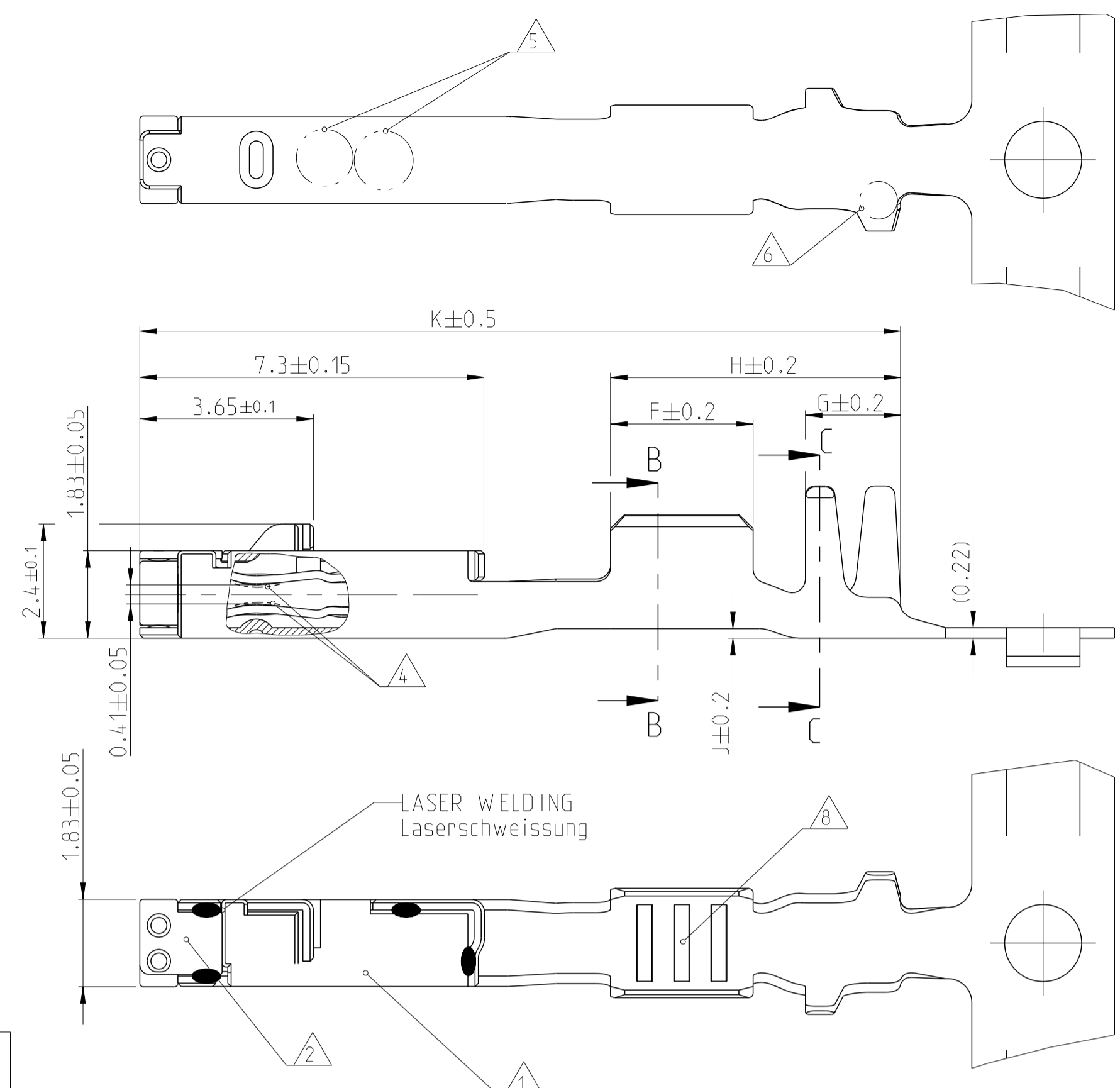
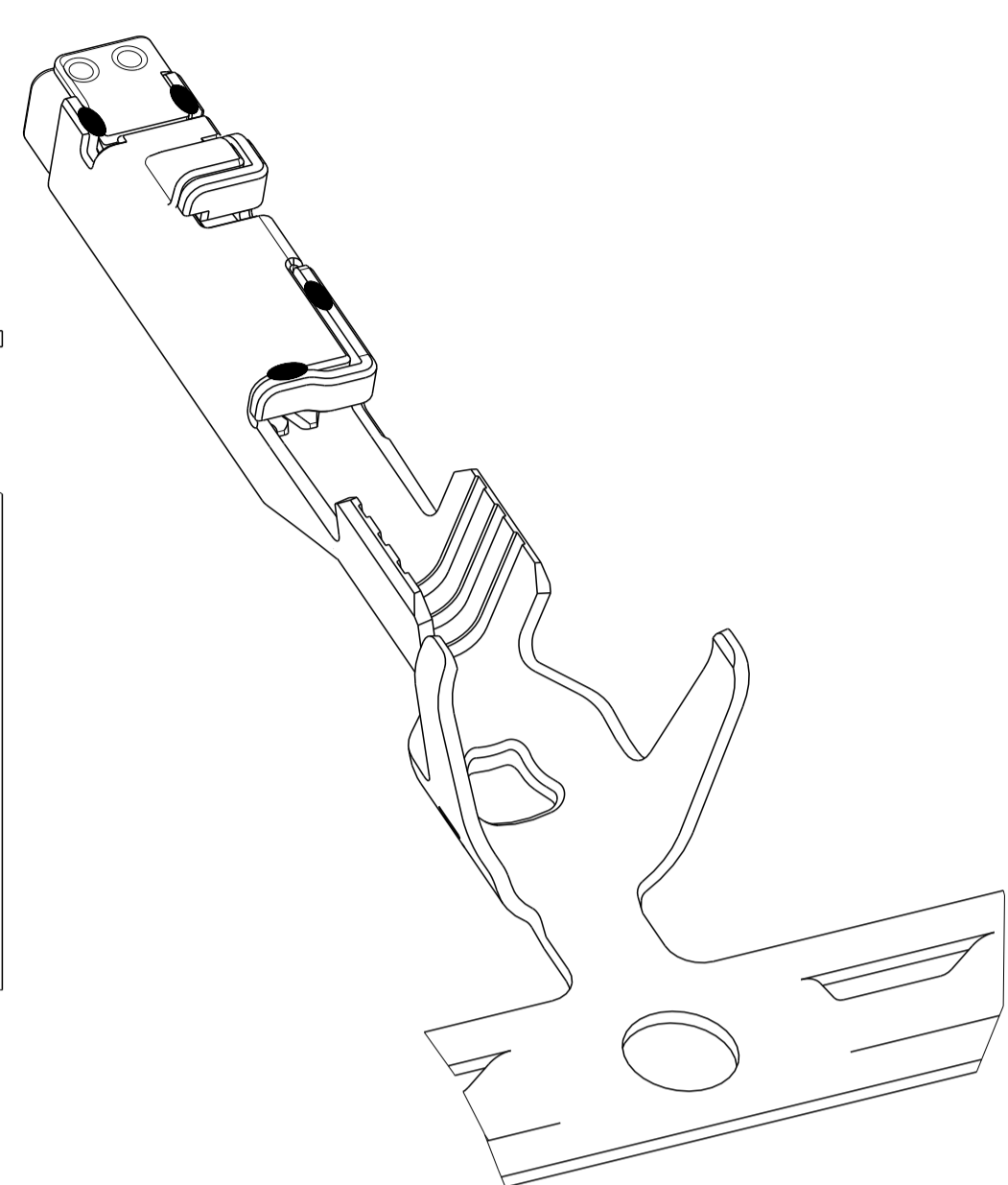
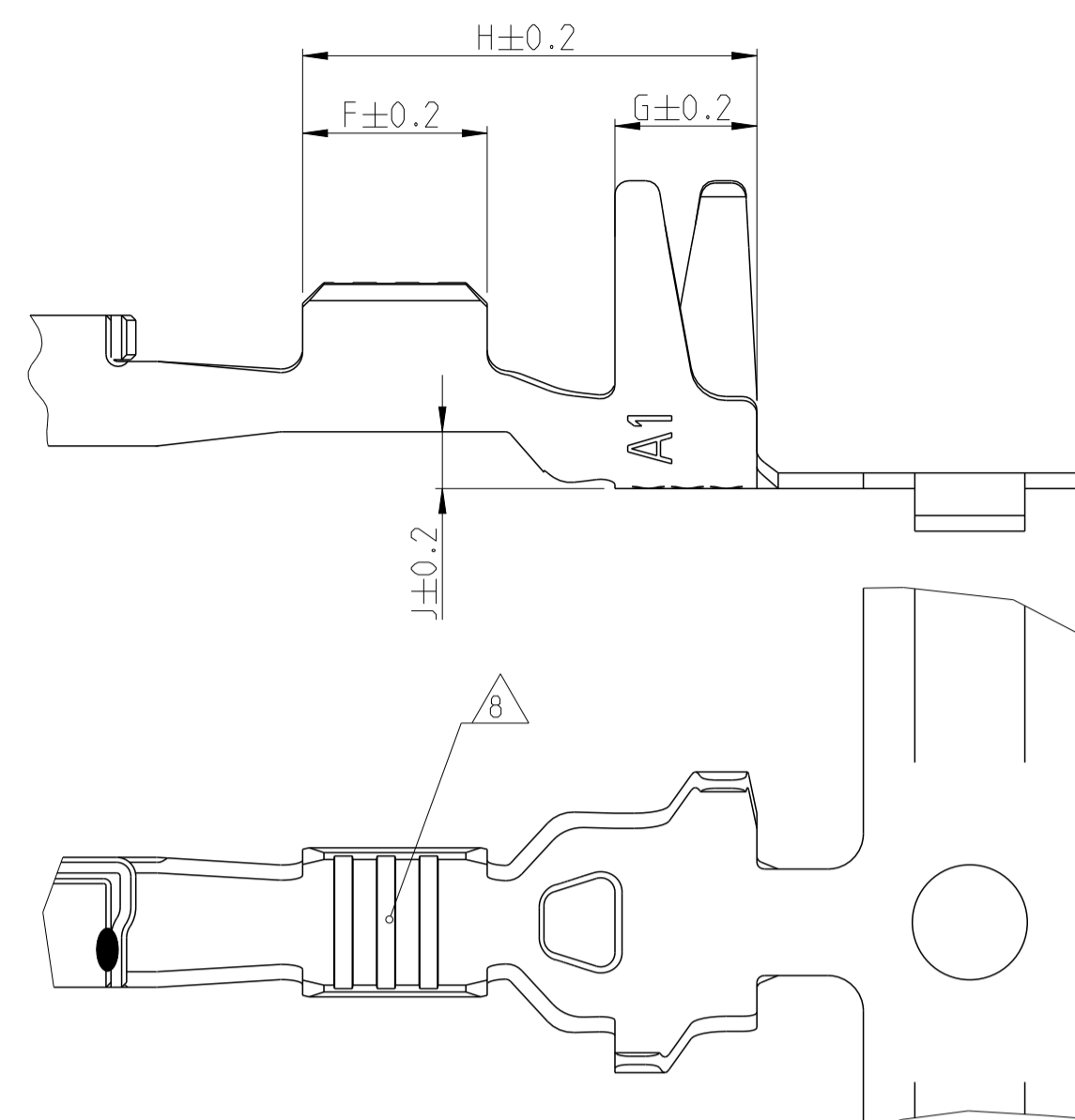


LOC	DIST	REVISIONS			
A1	-	NO.	DATE	BY	APPV
		G2	15NOV2012	S.R.	C.G.
		G3	12JUN2014	Abt	Raab
		G4	25AUG2014	Abt	Raab
		G5	02FEB2015	Ho.	Raab



VERSION / Ausführung	Rev.	BODY Kontakt-koerper	SPRING Kontakt-feder	BODY Kontakt-koerper	SPRING Kontakt-feder	RANGE Bereich	AWG	mm	mm ²	INSULATION Isolations-φ	A	(B)	D _{Dr}	C	E	D _{ISO}	AS PRODUCTS ON CARRIERSTRIP wie Bandware	F	G	H	J	K	TE NO.	MASTER APPLICATION-TOOL Basis Crimp-Werkzeug	DIE-PN FOR BASIC-HAND TOOL 539635-1 ERGO-CRIMP Matrizen PN fuer Basisbandzange 539635-1 ERGO-Crimp	EXTRACTION TOOL Ausdruckwerkzeug 0-1579007-8	EXTRACTION TOOL FOR SECONDARY LOCK 1-1579007-0 Ausdruckwerkzeug fuer zweite Kontaktsicherung	
																												WIRE CRIMP Drahtcrimp
SINGLE WIRE SEAL / Einzeldichtung	1418841-3	-	CuSn0.15	CuNi3Si	TIN PLATED verzinkt	SILVER PLATED versilbert	0.14	26	0.14	1.05	2.6	2	6.4	0.8	16	967067-2	963142-2	1528151	4-1579001-8									
	1418841-2	-	CuSn0.15	CuNi3Si	TIN PLATED verzinkt	GOLD PLATED vergoldet	0.22	-	0.22	1.2	1.55	1.55	0.65	4.25	4.3	2.6	2.6	2	6.4	0.8	16	967067-2	963142-2	1528152	3-1579001-9			
	1418841-1	-	CuSn0.15	CuNi3Si	TIN PLATED verzinkt	SILVER PLATED versilbert	0.25	24	-	1.1	1.85	1.85	0.8	4.25	4.3	2.6	2.6	2	6.4	0.8	16	967067-2	963142-2	1528153	3-1579001-8			
	1418844-3	C	CuSn0.15	CuNi3Si	TIN PLATED verzinkt	GOLD PLATED vergoldet	0.35	-	0.35	1.75	2.2	-	-	-	-	-	2.6	2	6.4	0.8	16	967067-1	963142-1	1528674	5-1579021-7			
	1418844-2	C	CuSn0.15	CuNi3Si	TIN PLATED verzinkt	SILVER PLATED versilbert	0.5	20	0.5	1.4	2.1	2.1	1.1	4.25	4.3	2.7	2.6	2	6.4	0.8	16	967067-1	963142-1	1528154	3-1579001-7			
	1418844-1	C	CuSn0.15	CuNi3Si	TIN PLATED verzinkt	GOLD PLATED vergoldet	0.75	-	0.75	1.9	2.3	2.5	1.1	4.25	4.3	2.7	2.6	2	6.4	0.8	16	967067-1	963142-2	1528153	3-1579001-8			
	1670146-3	A	CuSn0.15	CuNi3Si	TIN PLATED verzinkt	SILVER PLATED versilbert	1.0	18	-	1.9	2.6	2.95	1.3	4.45	4.3	2.9	3	2	6.8	0.8	16.5	-	967067-1	967067-1	1528154	3-1579001-7		
	1670146-2	A	CuSn0.15	CuNi3Si	TIN PLATED verzinkt	GOLD PLATED vergoldet	1.5	16	-	2.4	2.6	2.95	1.3	4.45	4.3	2.9	3	2	6.8	0.8	16.5	-	967067-1	967067-1	1528154	3-1579001-7		
	1670146-1	A	CuSn0.15	CuNi3Si	TIN PLATED verzinkt	SILVER PLATED versilbert	0.14	26	0.14	1.05	2.6	2.95	1.3	4.45	4.3	2.9	3	2	6.8	0.8	16.5	-	967067-1	967067-1	1528154	3-1579001-7		
	1418847-3	D	CuSn0.15	CuNi3Si	TIN PLATED verzinkt	GOLD PLATED vergoldet	0.5	20	0.5	1.4	2.3	2.5	1.1	4.25	4.3	2.7	2.6	2	6.4	0.8	16	967067-1	963142-2	1528153	3-1579001-8			
	1418847-2	D	CuSn0.15	CuNi3Si	TIN PLATED verzinkt	SILVER PLATED versilbert	0.75	-	0.75	1.9	2.3	2.5	1.1	4.25	4.3	2.7	2.6	2	6.4	0.8	16	967067-1	963142-2	1528153	3-1579001-8			
	1418847-1	D	CuSn0.15	CuNi3Si	TIN PLATED verzinkt	GOLD PLATED vergoldet	1.0	18	-	1.9	2.6	2.95	1.3	4.45	4.3	2.9	3	2	6.8	0.8	16.5	-	967067-1	967067-1	1528154	3-1579001-7		
	1418850-3	B	CuSn0.15	CuNi3Si	TIN PLATED verzinkt	SILVER PLATED versilbert	1.5	16	-	2.4	2.6	2.95	1.3	4.45	4.3	2.9	3	2	6.8	0.8	16.5	-	967067-1	967067-1	1528154	3-1579001-7		
	1418850-2	B	CuSn0.15	CuNi3Si	TIN PLATED verzinkt	GOLD PLATED vergoldet	0.14	26	0.14	1.05	2.6	2.95	1.3	4.45	4.3	2.9	3	2	6.8	0.8	16.5	-	967067-1	967067-1	1528154	3-1579001-7		
	1418850-1	B	CuSn0.15	CuNi3Si	TIN PLATED verzinkt	SILVER PLATED versilbert	0.22	-	0.22	1.2	1.55	1.55	0.65	2.1	2.1	1.1	1452500-3	-	2.6	2	5.7	0	15	-	1528146	3-1579001-6		
STANDARD CRIMP	1452500-2	-	CuSn0.15	CuNi3Si	TIN PLATED verzinkt	GOLD PLATED vergoldet	0.35	24	-	1.1	1.85	1.85	0.8	2.65	2.65	1.4	2.6	2	5.7	0.2	15	-	-	1528147	0-1579001-6			
	1452500-1	-	CuSn0.15	CuNi3Si	TIN PLATED verzinkt	SILVER PLATED versilbert	0.5	20	0.5	1.4	2.1	2.1	1.1	2.8	2.9	1.6	2.6	2	5.7	0.2	15	-	-	1528147	0-1579001-6			
	1534594-3	E	CuSn0.15	CuNi3Si	TIN PLATED verzinkt	GOLD PLATED vergoldet	0.75	-	0.75	1.9	2.1	2.1	1.1	2.8	2.9	1.6	2.6	2	5.7	0.2	15	-	-	1528147	0-1579001-6			
	1534594-2	E	CuSn0.15	CuNi3Si	TIN PLATED verzinkt	SILVER PLATED versilbert	1.0	18	-	1.9	2.6	2.95	1.3	4.45	4.3	2.9	3	2	6.8	0.8	16.5	-	967067-1	967067-1	1528154	3-1579001-7		
	1534594-1	E	CuSn0.15	CuNi3Si	TIN PLATED verzinkt	GOLD PLATED vergoldet	1.5	16	-	2.4	2.6	2.95	1.3	4.45	4.3	2.9	3	2	6.8	0.8	16.5	-	967067-1	967067-1	1528154	3-1579001-7		
	1670144-3	A	CuSn0.15	CuNi3Si	TIN PLATED verzinkt	SILVER PLATED versilbert	0.14	26	0.14	1.05	2.6	2.95	1.3	4.45	4.3	2.9	3	2	6.8	0.8	16.5	-	967067-1	967067-1	1528154	3-1579001-7		
	1670144-2	A	CuSn0.15	CuNi3Si	TIN PLATED verzinkt	GOLD PLATED vergoldet	0.22	-	0.22	1.2	1.55	1.55	0.65	2.1	2.1	1.1	1452500-3	-	2.6	2	5.7	0	15	-	1528146	3-1579001-6		
	1670144-1	A	CuSn0.15	CuNi3Si	TIN PLATED verzinkt	SILVER PLATED versilbert	0.35	24	-	1.1	1.85	1.85	0.8	2.65	2.65	1.4	2.6	2	5.7	0.2	15	-	-	1528147	0-1579001-6			
	1394897-3	E	CuSn0.15	CuNi3Si	TIN PLATED verzinkt	GOLD PLATED vergoldet	0.5	20	0.5	1.4	2.1	2.1	1.1	2.8	2.9	1.6	2.6	2	5.7	0.2	15	-	-	1528147	0-1579001-6			
	1394897-2	E	CuSn0.15	CuNi3Si	TIN PLATED verzinkt	SILVER PLATED versilbert	0.75	-	0.75	1.9	2.1	2.1	1.1	2.8	2.9	1.6	2.6	2	5.7	0.2	15	-	-	1528147	0-1579001-6			
	1394897-1	E	CuSn0.15	CuNi3Si	TIN PLATED verzinkt	GOLD PLATED vergoldet	1.0	18	-	1.9	2.6	2.95	1.3	4.45	4.3	2.9	3	2	6.8	0.8	16.5	-	967067-1	967067-1	1528154	3-1579001-7		
	1452503-3	C	CuSn0.15	CuNi3Si	TIN PLATED verzinkt	SILVER PLATED versilbert	1.5	16	-	2.4	2.6	2.95	1.3	3.75	3.95	2.1	2.6	2	6.1	0.2	16	-	-	1528150	1-1579001-3			
	1452503-2	C	CuSn0.15	CuNi3Si	TIN PLATED verzinkt	GOLD PLATED vergoldet	0.14	26	0.14	1.05	2.6	2.95	1.3	4.45	4.3	2.9	3	2	6.8	0.8	16.5	-	967067-1	967067-1	1528154	3-1579001-7		
	1452503-1	C	CuSn0.15	CuNi3Si	TIN PLATED verzinkt	SILVER PLATED versilbert	0.22	-	0.22	1.2	1.55	1.55	0.65	2.1	2.1	1.1	1452500-3	-	2.6	2	5.7	0	15	-	1528146	3-1579001-6		

NOTES

- 1 BODY
 - 2 SPRING
 - 3 ONLY FOR FLR-WIRE SEE DIN 72551, PART 6 AND AWG WIRE ACCORDING DC-SPEC: MS-8288; MS-7889; MS-9532
 - 4 SURFACE
a) BODY
-PRE TIN 1 TO 3 µm
b) SPRING
-PRE TIN SnAg 1 TO 3µm
-GOLD PLATED MIN. 0.8µm (ONLY CONTACT AREA)
-SILVER PLATED 2 TO 5µm (ONLY CONTACT AREA)
 - 5 STAMPED INDICATOR FOR PLATING:
- A U GOLD PLATING
- A G SILVER PLATING
- TIN PLATING WITHOUT INDICATOR
 - 6 OPTIONAL DATE CODE
 - 7 1394897-1, -2, -3 superseded by 1670144-1, -2, -3
1418847-1, -2, -3 superseded by 1670146-1, -2, -3
- CAUTION!
PART NUMBERS 1670144 AND 1670146 ARE PROCESSED WITH OTHER CRIMP HEIGHTS. SEE APPLICATION SPECIFICATION NO.114-18464 UP FROM REVISION "P"
- 8 DIFFERENT FORM OF THE SERRATIONS POSSIBLE

Bemerkungen

- 1 Kontaktkoerper
 - 2 Kontaktfeder
 - 3 Nur fuer FLR-Leitung nach DIN 72551, Teil 6 und AWG Leitung nach DC-Spec: MS-8288; MS-7889; MS-9532
 - 4 Oberflaeche
a) Kontaktkoerper
-verzinkt 1 bis 3 µm
b) Kontaktfeder
-verzinkt SnAg 1 bis 3µm
-galv. vergoldet min. 0.8µm (nur Kontaktzone)
-galv. versilbert 2 bis 5µm (nur Kontaktzone)
 - 5 Markierung fuer galvanische Ausfuehrung:
- A U vergoldet
- A G versilbert
- Verzinkt: ohne Markierung
 - 6 Optional Datumscode
 - 7 1394897-1, -2, -3 ersetzt durch 1670144-1, -2, -3
1418847-1, -2, -3 ersetzt durch 1670146-1, -2, -3
- ACHTUNG!
Teilenummern 1670144 und 1670146 werden mit anderen Crimphoehen verarbeitet. Siehe Verarbeitungsspezifikation Nr.114-18464 ab Revision "P"
- 8 Unterschiedliche Ausfuehrung der Rillen moeglich

THIS DRAWING IS A CONTROLLED DOCUMENT.		TOLERANCING ISO 8015 TOLERIERUNG ISO 8015	
DIMENSIONS: mm		TOLERANCES UNLESS OTHERWISE SPECIFIED:	
MATERIAL: -		FINISH: -	
0 PLC ±0.2	1 PLC ±0.2	2 PLC ±0.2	3 PLC ±0.2
4 PLC ±0.2	ANGLES ±1°	APPROVED	
Customer Drawing		Customer Drawing	

X-ON Electronics

Largest Supplier of Electrical and Electronic Components

Click to view similar products for [Automotive Connectors](#) category:

Click to view products by [TE Connectivity](#) manufacturer:

Other Similar products are found below :

[003-018-000](#) [60403001](#) [60993906-B](#) [M902-2131](#) [M902-2161](#) [M902-2344](#) [72.330.1035.1](#) [73.353.4028.0](#) [F119300-B](#) [F166900](#) [F258300-B](#)
[F358300-B](#) [F407400](#) [F444110](#) [F487000](#) [F509500B-B](#) [827153-1](#) [8N1515-32-24P](#) [9-1326729-8](#) [925474-1](#) [928905-1](#) [964562-4](#) [968782-1](#)
[GT17SA-8DS-HU](#) [98891-1012](#) [98947-1016](#) [12004147](#) [12004475-L](#) [12010290](#) [12010309-B](#) [12015454](#) [12020219-B](#) [12041318-B](#) [12052225-](#)
[L](#) [12052466](#) [12064869](#) [12004327-B](#) [12015308](#) [12015384](#) [12015909](#) [1-21030-1](#) [12041254](#) [12041318](#) [12047946-B](#) [12047957](#) [12047957-L](#)
[12059473](#) [12066261](#) [12110546](#) [12110546-B](#)