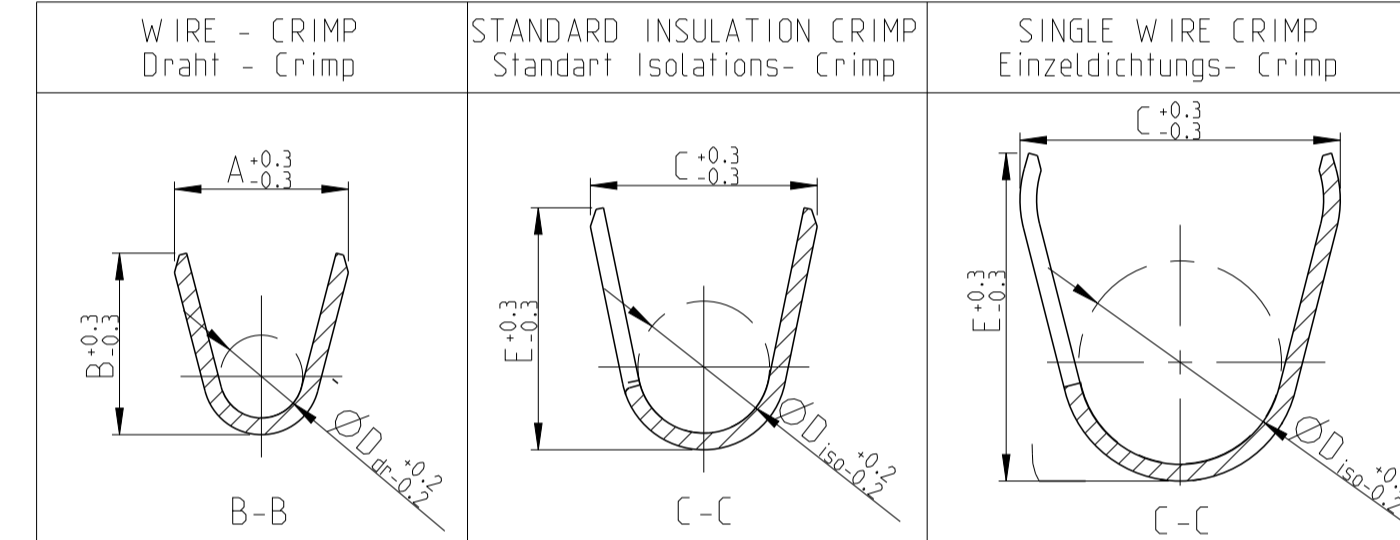
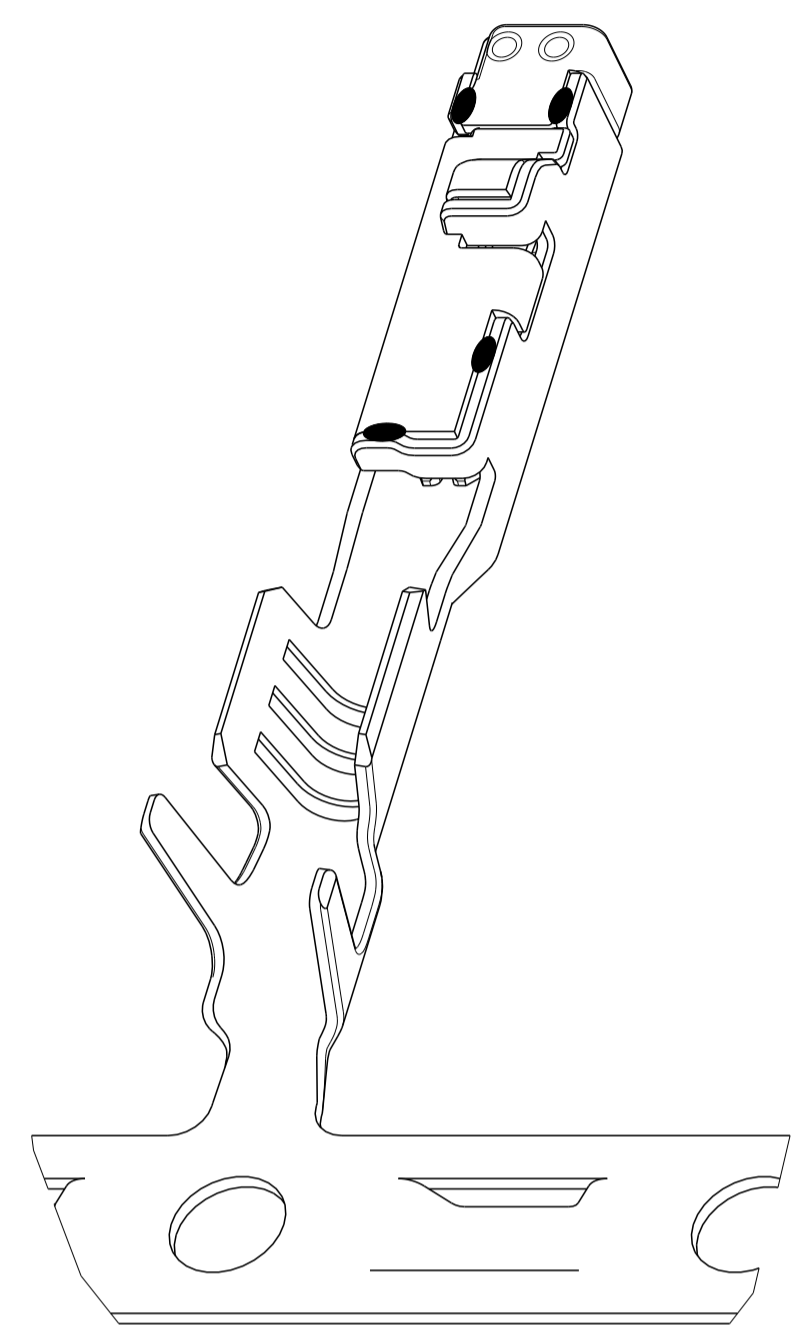
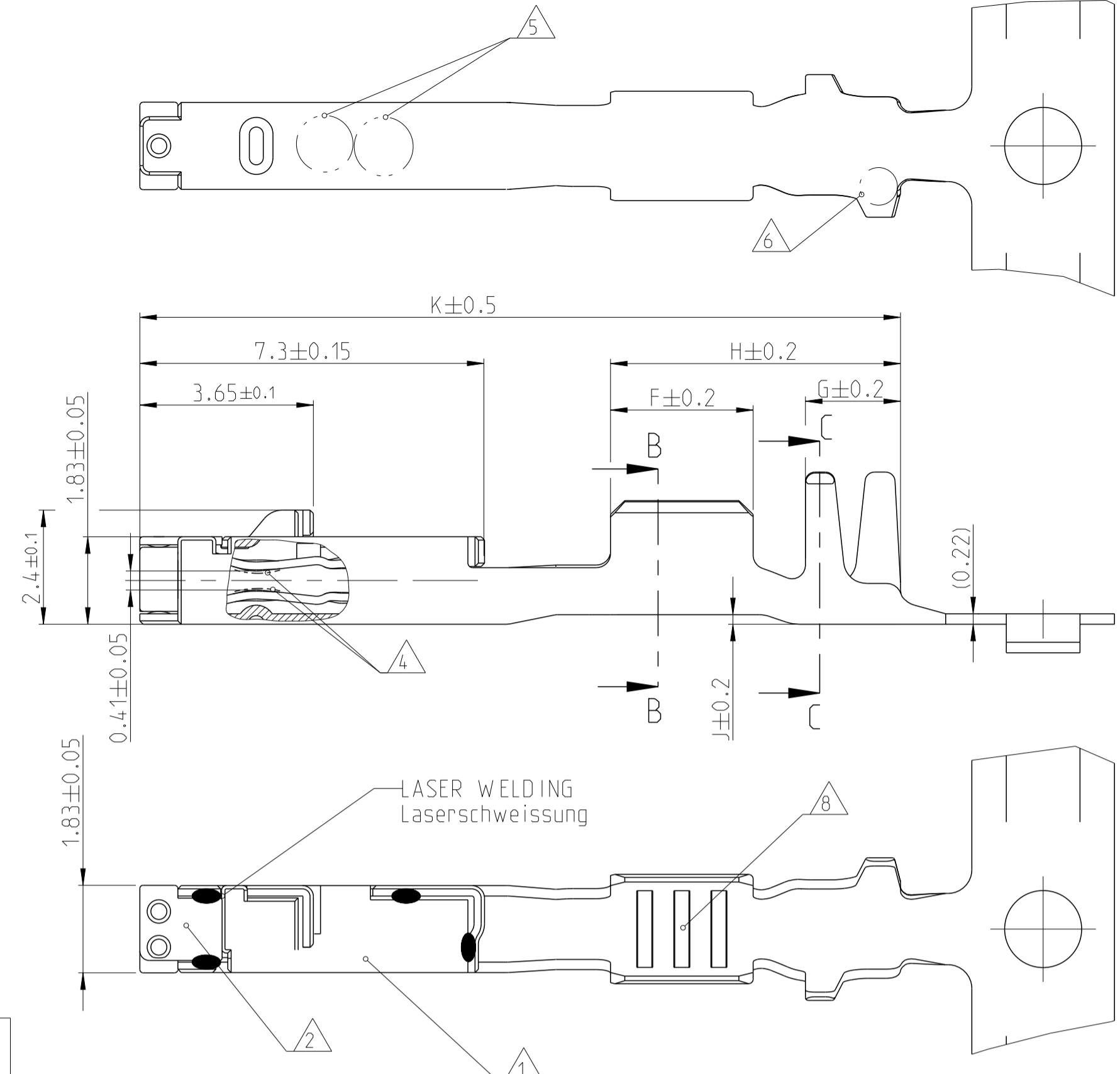
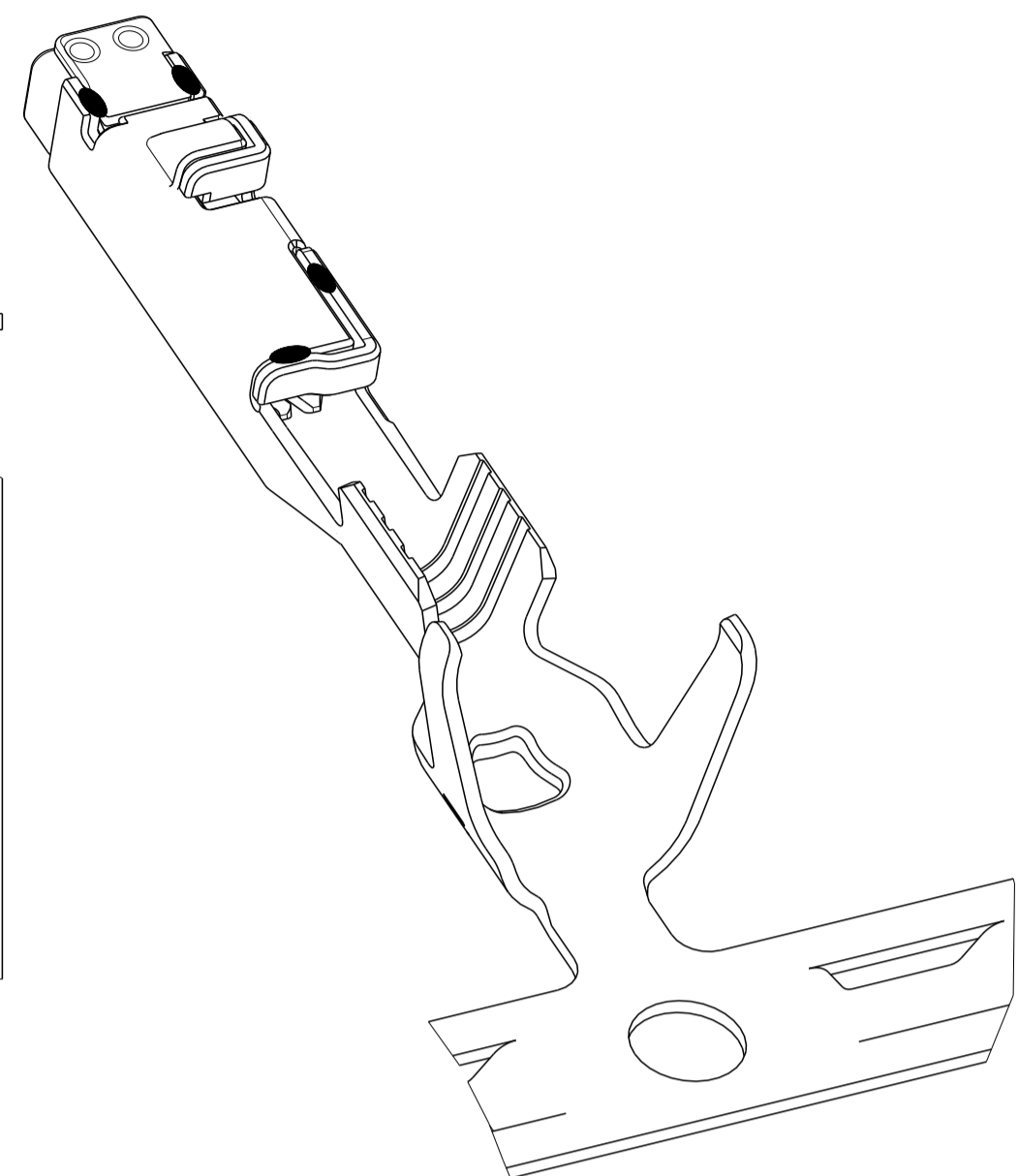
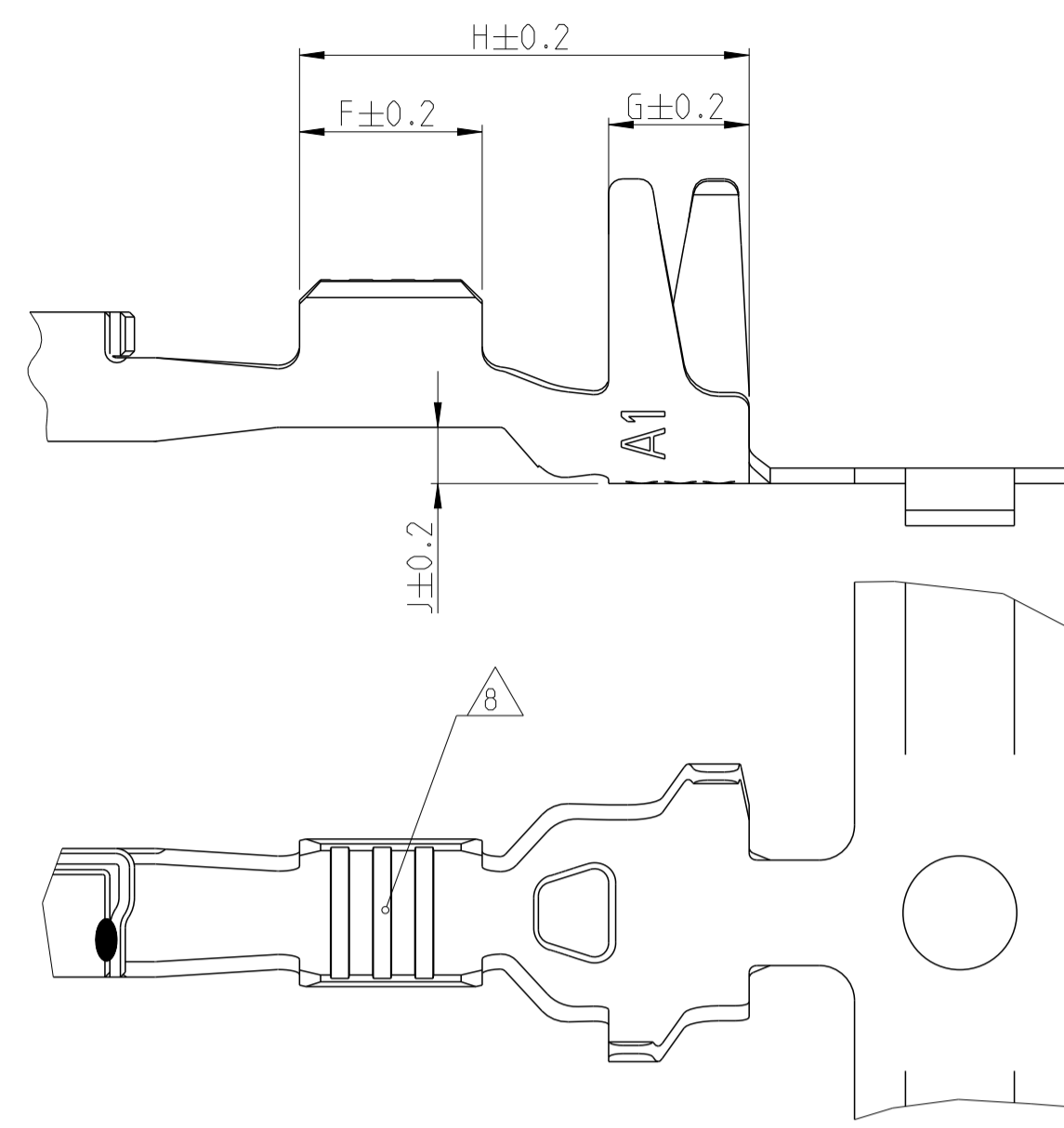


LOC	DIST	REVISIONS			
A1	-	REV	DATE	BY	APPV
G2	PN 1394897 AND 1418847 OBSOLETE	15NOV2012	S.R.	C.G.	
G3	ECR-14-008680 CANCELED	12JUN2014	Abt	Raab	
G4	Loose Piece Parts removed from Table. ECR-14-012725	25AUG2014	Abt	Raab	
G5	Tolerance from dim. J changed (drawing failure)	02FEB2015	Ho.	Raab	



VERSION / Ausführung	Rev.	BODY Kontakt-koerper	SPRING Kontakt-feder	BODY Kontakt-koerper	SPRING Kontakt-feder	RANGE Bereich	AWG	mm ²	INSULATION Isolations-Ø	A	(B)	D _{Dr}	C	E	D _{ISO}	WIRE CRIMP Drahtcrimp	ISOLATION CRIMP Isolationscrimp	LOOSE PIECE / Einzelausführung	F	G	H	J	K	Ø 3.55 [mm]	Ø 3.95 [mm]	TE NO.	MASTER APPLICATION-TOOL Basis Crimp-Werkzeug	DIE-PN FOR BASIC-HAND TOOL 539635-1 ERGO-CRIMP Matrizen PN fuer Basishandzange 539635-1 ERGO-Crimp	EXTRACTION TOOL Ausdrueckwerkzeug 0-1579007-8	EXTRACTION TOOL FOR SECONDARY LOCK Ausdrueckwerkzeug fuer zweite Kontaktsicherung 1-1579007-0	ORDER NO./Bestell-Nr.						
																																STANDARD CRIMP	AS PRODUCTS ON CARRIERSTRIP wie Bandware	Ø 3.55	Ø 3.95	Ø 3.55	Ø 3.95
1418841-3	-	CuSn0.15	CuNi3Si	TIN PLATED verzinkt	SILVER PLATED versilbert	0.14-	26	0.14	1.05																												
1418841-2	-	CuSn0.15	CuNi3Si	TIN PLATED verzinkt	GOLD PLATED vergoldet	0.22	-	0.22	1.2	1.55	1.55	0.65	4.25	4.3	2.6																						
1418841-1	-	CuSn0.15	CuNi3Si	TIN PLATED verzinkt	TIN PLATED verzinkt	0.25-0.35	24	-	1.1	1.85	1.85	0.8	4.25	4.3	2.6																						
1418844-3	C	CuSn0.15	CuNi3Si	TIN PLATED verzinkt	SILVER PLATED versilbert	0.25-0.35	24	-	1.1	1.85	1.85	0.8	4.25	4.3	2.6																						
1418844-2	C	CuSn0.15	CuNi3Si	TIN PLATED verzinkt	GOLD PLATED vergoldet	0.25-0.35	24	-	1.1	1.85	1.85	0.8	4.25	4.3	2.6																						
1418844-1	C	CuSn0.15	CuNi3Si	TIN PLATED verzinkt	TIN PLATED verzinkt	0.25-0.35	22	-	1.75	1.85	1.85	0.8	4.25	4.3	2.6																						
1670146-3	A	CuSn0.15	CuNi3Si	TIN PLATED verzinkt	SILVER PLATED versilbert	0.5-0.75	20	0.5	1.4-	2.1	2.1	1.1	4.25	4.3	2.7																						
1670146-2	A	CuSn0.15	CuNi3Si	TIN PLATED verzinkt	GOLD PLATED vergoldet	0.5-0.75	-	0.75	1.9	2.1	2.1	1.1	4.25	4.3	2.7																						
1670146-1	A	CuSn0.15	CuNi3Si	TIN PLATED verzinkt	TIN PLATED verzinkt	0.5-0.75	-	0.75	1.9	2.1	2.1	1.1	4.25	4.3	2.7																						
1418847-3	D	CuSn0.15	CuNi3Si	TIN PLATED verzinkt	SILVER PLATED versilbert	0.5	20	0.5	1.4-	2.3	2.5	1.1	4.25	4.3	2.7																						
1418847-2	D	CuSn0.15	CuNi3Si	TIN PLATED verzinkt	GOLD PLATED vergoldet	0.75	-	0.75	1.9	2.3	2.5	1.1	4.25	4.3	2.7																						
1418847-1	D	CuSn0.15	CuNi3Si	TIN PLATED verzinkt	TIN PLATED verzinkt	0.75	-	0.75	1.9	2.3	2.5	1.1	4.25	4.3	2.7																						
1418850-3	B	CuSn0.15	CuNi3Si	TIN PLATED verzinkt	SILVER PLATED versilbert	1.0-1.5	18	-	1.9-	2.6	2.95	1.3	4.45	4.3	2.9																						
1418850-2	B	CuSn0.15	CuNi3Si	TIN PLATED verzinkt	GOLD PLATED vergoldet	1.0-1.5	-	1	1.9-	2.6	2.95	1.3	4.45	4.3	2.9																						
1418850-1	B	CuSn0.15	CuNi3Si	TIN PLATED verzinkt	TIN PLATED verzinkt	1.0-1.5	16	-	2.4	2.6	2.95	1.3	4.45	4.3	2.9																						
1452500-3	-	CuSn0.15	CuNi3Si	TIN PLATED verzinkt	SILVER PLATED versilbert	0.14-	26	0.14	1.05																												
1452500-2	-	CuSn0.15	CuNi3Si	TIN PLATED verzinkt	GOLD PLATED vergoldet	0.22	-	0.22	1.2	1.55	1.55	0.65	2.1	2.1	1.1																						
1452500-1	-	CuSn0.15	CuNi3Si	TIN PLATED verzinkt	TIN PLATED verzinkt	0.22	-	0.22	1.2	1.55	1.55	0.65	2.1	2.1	1.1																						
1534594-3	E	CuSn0.15	CuNi3Si	TIN PLATED verzinkt	SILVER PLATED versilbert	0.25-0.35	24	-	1.1	1.85	1.85	0.8	2.65	2.65	1.4																						
1534594-2	E	CuSn0.15	CuNi3Si	TIN PLATED verzinkt	GOLD PLATED vergoldet	0.25-0.35	24	-	1.1	1.85	1.85	0.8	2.65	2.65	1.4																						
1534594-1	E	CuSn0.15	CuNi3Si	TIN PLATED verzinkt	TIN PLATED verzinkt	0.25-0.35	22	-	1.75	1.85	1.85	0.8	2.65	2.65	1.4																						
1670144-3	A	CuSn0.15	CuNi3Si	TIN PLATED verzinkt	SILVER PLATED versilbert	0.5-0.75	20	0.5	1.4-	2.1	2.1	1.1	2.8	2.9	1.6																						
1670144-2	A	CuSn0.15	CuNi3Si	TIN PLATED verzinkt	GOLD PLATED vergoldet	0.5-0.75	-	0.75	1.9	2.1	2.1	1.1	2.8	2.9	1.6																						
1670144-1	A	CuSn0.15	CuNi3Si	TIN PLATED verzinkt	TIN PLATED verzinkt	0.5-0.75	-	0.75	1.9	2.1	2.1	1.1	2.8	2.9	1.6																						
1394897-3	E	CuSn0.15	CuNi3Si	TIN PLATED verzinkt	SILVER PLATED versilbert	0.5-	20	0.5	1.4	2.3	2.5	1.1	3	3.2	1.75																						
1394897-2	E	CuSn0.15	CuNi3Si	TIN PLATED verzinkt	GOLD PLATED vergoldet	0.75	-	0.75	1.9	2.3	2.5	1.1	3	3.2	1.75																						
1394897-1	E	CuSn0.15	CuNi3Si	TIN PLATED verzinkt	TIN PLATED verzinkt	0.75	-	0.75	1.9	2.3	2.5	1.1	3	3.2	1.75																						
1452503-3	C	CuSn0.15	CuNi3Si	TIN PLATED verzinkt	SILVER PLATED versilbert	1.0-1.5	18	-	1.9-	2.6	2.95	1.3	3.75	3.95	2.1																						
1452503-2	C	CuSn0.15	CuNi3Si	TIN PLATED verzinkt	GOLD PLATED vergoldet	1.0-1.5	-	1	1.9-	2.6	2.95	1.3	3.75	3.95	2.1																						
1452503-1	C	CuSn0.15	CuNi3Si	TIN PLATED verzinkt	TIN PLATED verzinkt	1.0-1.5	16	-	2.4	2.6	2.95	1.3	3.75	3.95	2.1																						

TE NO.	MASTER APPLICATION-TOOL	DIE-PN FOR BASIC-HAND TOOL	EXTRACTION TOOL	EXTRACTION TOOL FOR SECONDARY LOCK	ORDER NO./Bestell-Nr.
963142-2	967067-2	967067-2	0-1579007-8	1-1579007-0	1528151
963142-1	967067-1	967067-1	0-1579007-8	1-1579007-0	1528152
963142-2	967067-1	967067-1	0-1579007-8	1-1579007-0	1528153
967067-1	967067-1	967067-1	0-1579007-8	1-1579007-0	1528154
963143-1 (Ø3.95) / 967056-1 (Ø3.55)	-	-	0-1579007-8	1-1579007-0	1528146
967067-1	967067-1	967067-1	0-1579007-8	1-1579007-0	1528147
967067-1	967067-1	967067-1	0-1579007-8	1-1579007-0	1528148
967067-1	967067-1	967067-1	0-1579007-8	1-1579007-0	1528150

NOTES

- 1 BODY
- 2 SPRING
- 3 ONLY FOR FLR-WIRE SEE DIN 72551, PART 6 AND AWG WIRE ACCORDING DC-SPEC: MS-8288; MS-7889; MS-9532
- 4 SURFACE
 - a) BODY -PRE TIN 1 TO 3 µm
 - b) SPRING -PRE TIN SnAg 1 TO 3µm -GOLD PLATED MIN. 0.8µm (ONLY CONTACT AREA) -SILVER PLATED 2 TO 5µm (ONLY CONTACT AREA)
- 5 STAMPED INDICATOR FOR PLATING:
 - A U GOLD PLATING
 - A G SILVER PLATING
 - TIN PLATING WITHOUT INDICATOR
- 6 OPTIONAL DATE CODE
- 7 1394897-1, -2, -3 superseded by 1670144-1, -2, -3 1418847-1, -2, -3 superseded by 1670146-1, -2, -3
- CAUTION! PART NUMBERS 1670144 AND 1670146 ARE PROCESSED WITH OTHER CRIMP HEIGHTS. SEE APPLICATION SPECIFICATION NO.114-18464 UP FROM REVISION "P"
- 8 DIFFERENT FORM OF THE SERRATIONS POSSIBLE

Bemerkungen

- 1 Kontaktkoerper
- 2 Kontaktfeder
- 3 Nur fuer FLR-Leitung nach DIN 72551, Teil 6 und AWG Leitung nach DC-Spec: MS-8288; MS-7889; MS-9532
- 4 Oberflaeche
 - a) Kontaktkoerper -verzinkt 1 bis 3 µm
 - b) Kontaktfeder -verzinkt SnAg 1 bis 3µm -galv. vergoldet min. 0.8µm (nur Kontaktzone) -galv. versilbert 2 bis 5µm (nur Kontaktzone)
- 5 Markierung fuer galvanische Ausfuehrung:
 - A U vergoldet
 - A G versilbert
 - Verzinkt: ohne Markierung
- 6 Optional Datumscode
- 7 1394897-1, -2, -3 ersetzt durch 1670144-1, -2, -3 1418847-1, -2, -3 ersetzt durch 1670146-1, -2, -3
- ACHTUNG! Teilenummern 1670144 und 1670146 werden mit anderen Crimphoehen verarbeitet. Siehe Verarbeitungsspezifikation Nr.114-18464 ab Revision "P"
- 8 Unterschiedliche Ausfuehrung der Rillen moeglich

THIS DRAWING IS A CONTROLLED DOCUMENT.

DIMENSIONS:	TOLERANCES UNLESS OTHERWISE SPECIFIED:	OWN	DATE	REV	APPV
mm	0 PLC ±0.2 1 PLC ±0.2 2 PLC ±0.2 3 PLC ±0.2 4 PLC ±0.2 ANGLES ±1°	G. Hotea E. Herth	17AUG2001 11MAR2002		
MATERIAL:	FINISH:	PRODUCT SPEC	APPLICATION SPEC	SIZE	CAGE CODE
-	-	108-18782	114-18464	A1	00779
		WEIGHT	0.18 g		
		Customer Drawing			

STE TE Connectivity

MCON 1.2 CB (CLEAN BODY)

SCALE 10:1 SHEET 1 OF 1 REV G5

X-ON Electronics

Largest Supplier of Electrical and Electronic Components

Click to view similar products for [Automotive Connectors](#) category:

Click to view products by [TE Connectivity](#) manufacturer:

Other Similar products are found below :

[003-018-000](#) [60403001](#) [60993906-B](#) [M902-2131](#) [M902-2161](#) [M902-2344](#) [72.330.1035.1](#) [73.353.4028.0](#) [F119300-B](#) [F166900](#) [F258300-B](#)
[F358300-B](#) [F407400](#) [F444110](#) [F487000](#) [F509500B-B](#) [827153-1](#) [8N1515-32-24P](#) [9-1326729-8](#) [925474-1](#) [928905-1](#) [964562-4](#) [968782-1](#)
[GT17SA-8DS-HU](#) [98891-1012](#) [98947-1016](#) [12004147](#) [12004475-L](#) [12010290](#) [12010309-B](#) [12015454](#) [12020219-B](#) [12041318-B](#) [12052225-](#)
[L](#) [12052466](#) [12064869](#) [12004327-B](#) [12015308](#) [12015384](#) [12015909](#) [1-21030-1](#) [12041254](#) [12041318](#) [12047946-B](#) [12047957](#) [12047957-L](#)
[12059473](#) [12066261](#) [12110546](#) [12110546-B](#)