

4

3

2

1

THIS DRAWING IS UNPUBLISHED.

RELEASED FOR PUBLICATION

ALL RIGHTS RESERVED.

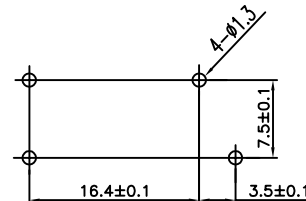
© COPYRIGHT - By TE Connectivity

LOC HB DIST -

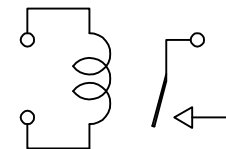
REVISIONS

P	LTR	DESCRIPTION	DATE	DWN	APVD
C1		UPDATE PAC SPEC ECO-10-0111636	07-JUL-09	HYS	YBH
E		CHANGE TE LOGO&ADD LINE IDENTIFICATION&TERMINALS CLARIFICATION ECO-12-005305	28-MAR-12	HYS	YBH

DRILLING DIAGRAM(BOTTOM VIEW)

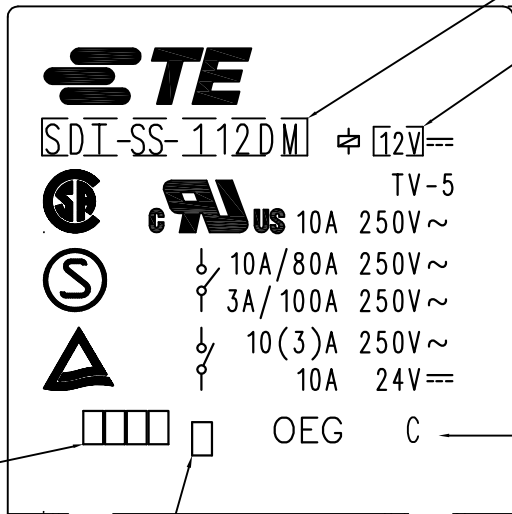


CONNECTION DIAGRAM



PART A

PART B



TE

SDT-SS-112DM

12V

TV-5



us 10A 250V

10A/80A 250V

3A/100A 250V

10(3)A 250V

10A 24V

OEG

C

C:MADE IN CHINA

E

B

LOT NO.

A

25±0.5

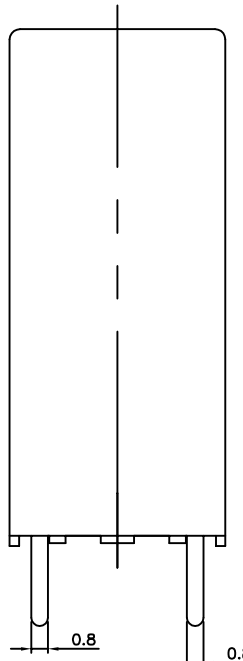
3.8±0.3

0.45

0.3

0.4

"A"



0.8

0.8

ONE CHARACTER FOR LINE IDENTIFICATION E

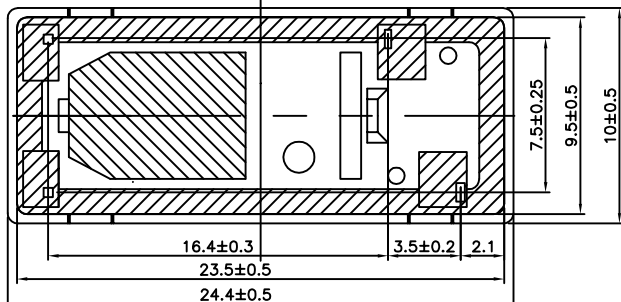


Diagram dimension	Tolerance
max. 1mm	±0.1mm
1 - 3mm	±0.2mm
min. 3mm	±0.3mm

THIS DRAWING IS A CONTROLLED DOCUMENT.

DWN H.SASAKI	TE Connectivity SDT-SH-DM.000(STANDARD) CUSTOMER DRAWING	SIZE A3	CAGE CODE 00779	DRAWING NO C=1419126-5	RESTRICTED TO -	
CHK K.OKADO		APVD A.NAGAI	PRODUCT SPEC -	APPLICATION SPEC -	WEIGHT -	
DIMENSIONS: mm		TOLERANCES UNLESS OTHERWISE SPECIFIED:		MATERIAL -		
0 PLC ± - 1 PLC ± - 2 PLC ± - 3 PLC ± - 4 PLC ± - 4 PLC ANGLES ± -		CUSTOMER DRAWING		SCALE 4:1	SHEET 1 of 2	

THIS DRAWING IS UNPUBLISHED.

RELEASED FOR PUBLICATION

-. - .

© COPYRIGHT - BY TE Connectivity

ALL RIGHTS RESERVED.

LOC

DIST

REVISIONS

HB

-

P LTR

DESCRIPTION

DATE

DWN

APVD

-

SEE SHEET 1

-

-

-

NOTES:

- 1. TERMINAL DIMENSIONS BEFORE SOLDER DIP
- 2. LOT NO. SYSTEM AS FOLLOWING:



WEEK DATE

- ③ 3. FOR THE TIN-PLATING OF THE PINS: +0.1mm FOR WIDTH, THICKNESS AND DIAMETER
+0.5mm FOR LENGTH

1-1419126-0	SDT-SH-124DM	107-84016 (C1)	24V	SDT-SH-124DM	d
2-1419146-6	SDT-SH-118DM	107-84016 (C1)	18V	SDT-SH-118DM	c
1419126-5	SDT-SH-112DM	107-84016 (C1)	12V	SDT-SH-112DM	b
1461023-1	SDT-SH-105DM	107-84016 (C1)	5V	SDT-SH-105DM	a
TE PART NO	TE TYPE NAME	PACKING SPEC	PART B	PART A	TYPE

RELAY TYPE

UV RESIN	RESIN (VENT)	13
EPOXY RESIN	RESIN (CASE)	12
UEW	MAGNETIC WIRE	11
PBT	CASE	10
Cu ALLOY	HINGE SPRING	9
Cu ALLOY	COIL TERMINAL	8
Cu ALLOY	M TERMINAL	7
Cu ALLOY	MOVABLE SPRING	6
PBT	BOBBIN	5
PPS	CARD	4
STEEL	CORE	3
STEEL	ARMATURE	2
STEEL	YOKE	1
MATERIAL	DESCRIPTION	ITEM

THIS DRAWING IS A CONTROLLED DOCUMENT.		DWN H.SASAKI															
		CHK K.OKADO															
DIMENSIONS: mm		APVD A.NAGAI	NAME														
TOLERANCES UNLESS OTHERWISE SPECIFIED:		PRODUCT SPEC	SDT-SH-DM.000(STANDARD) CUSTOMER DRAWING														
<table border="0"> <tr> <td>0 PLC</td> <td>± -</td> </tr> <tr> <td>1 PLC</td> <td>± -</td> </tr> <tr> <td>2 PLC</td> <td>± -</td> </tr> <tr> <td>3 PLC</td> <td>± -</td> </tr> <tr> <td>4 PLC</td> <td>± -</td> </tr> <tr> <td>ANGLES</td> <td>± -</td> </tr> </table>		0 PLC	± -	1 PLC	± -	2 PLC	± -	3 PLC	± -	4 PLC	± -	ANGLES	± -	APPLICATION SPEC	RESTRICTED TO		
0 PLC	± -																
1 PLC	± -																
2 PLC	± -																
3 PLC	± -																
4 PLC	± -																
ANGLES	± -																
MATERIAL	FINISH	WEIGHT	SIZE A3	CAGE CODE 00779	DRAWING NO C=1419126-5												
CUSTOMER DRAWING			SCALE 4:1	SHEET 2 OF 2	REV E												

X-ON Electronics

Largest Supplier of Electrical and Electronic Components

Click to view similar products for [General Purpose Relays](#) category:

Click to view products by [TE Connectivity](#) manufacturer:

Other Similar products are found below :

[PCN-105D3MH,000](#) [59641F200](#) [5JO-1000CD-SIL](#) [LY1SAC110120](#) [5X827E](#) [5X837F](#) [5X840F](#) [5X842F](#) [5X848E](#) [LY2N-AC120](#) [LY2S-AC220/240](#) [LY2-US-AC120](#) [LY3-US-AC120](#) [LY4F-UA-DC12](#) [LY4F-UA-DC24](#) [LY4F-US-AC120](#) [LY4F-US-AC240](#) [LY4F-US-DC24](#) [LY4F-VD-AC110](#) [LYQ20DC12](#) [M115C60](#) [M115N010](#) [M115N0150](#) [6031007G](#) [603-12D](#) [61211T0B4](#) [61212T400](#) [61222Q400](#) [61243B600](#) [61243C500](#) [61243Q400](#) [61311BOA2](#) [61311BOA6](#) [61311BOA8](#) [61311C0A2](#) [61311COA1](#) [61311COA6](#) [61311F0A2](#) [61311QOA1](#) [61311QOA4](#) [61311T0D6](#) [61311TOA6](#) [61311TOA7](#) [61311TOB3](#) [61311TOB4](#) [61311U0A6](#) [61312Q600](#) [61312T400](#) [61312T600](#) [61313U200](#)