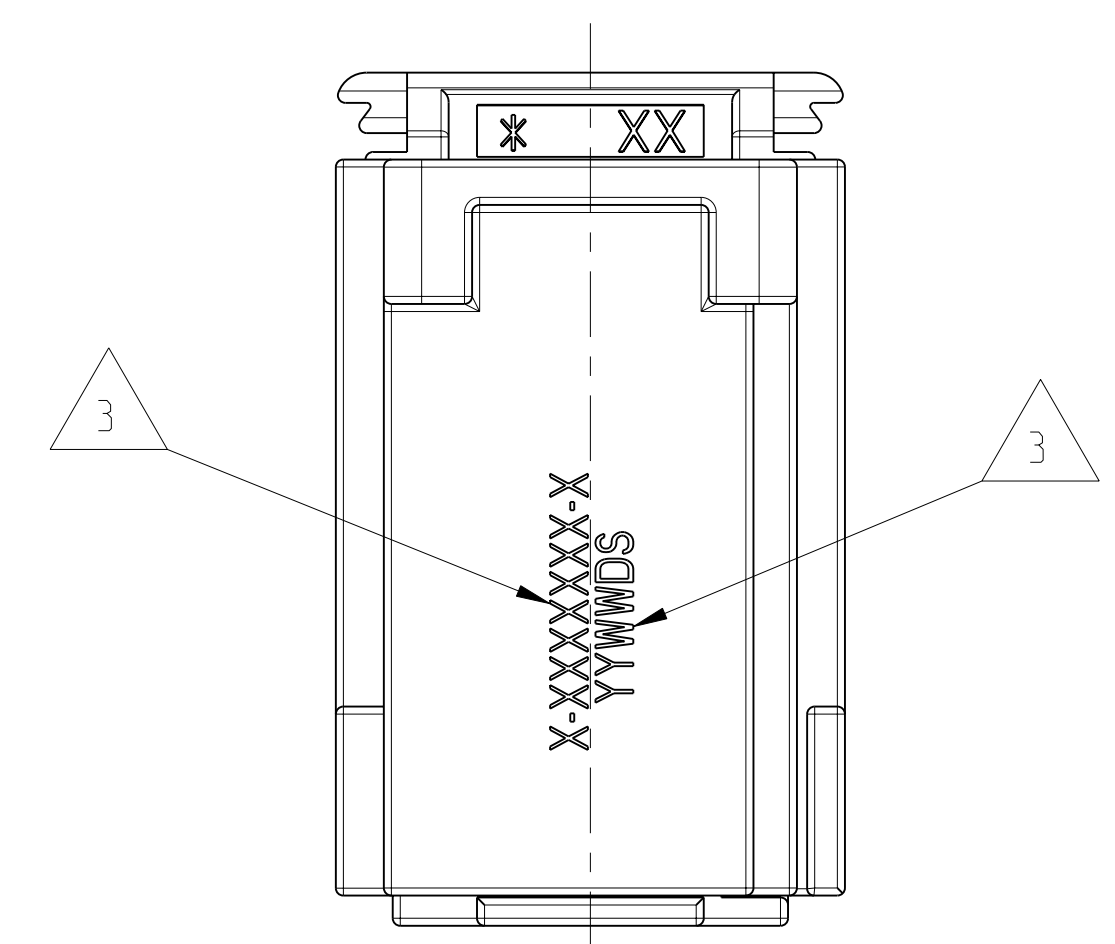
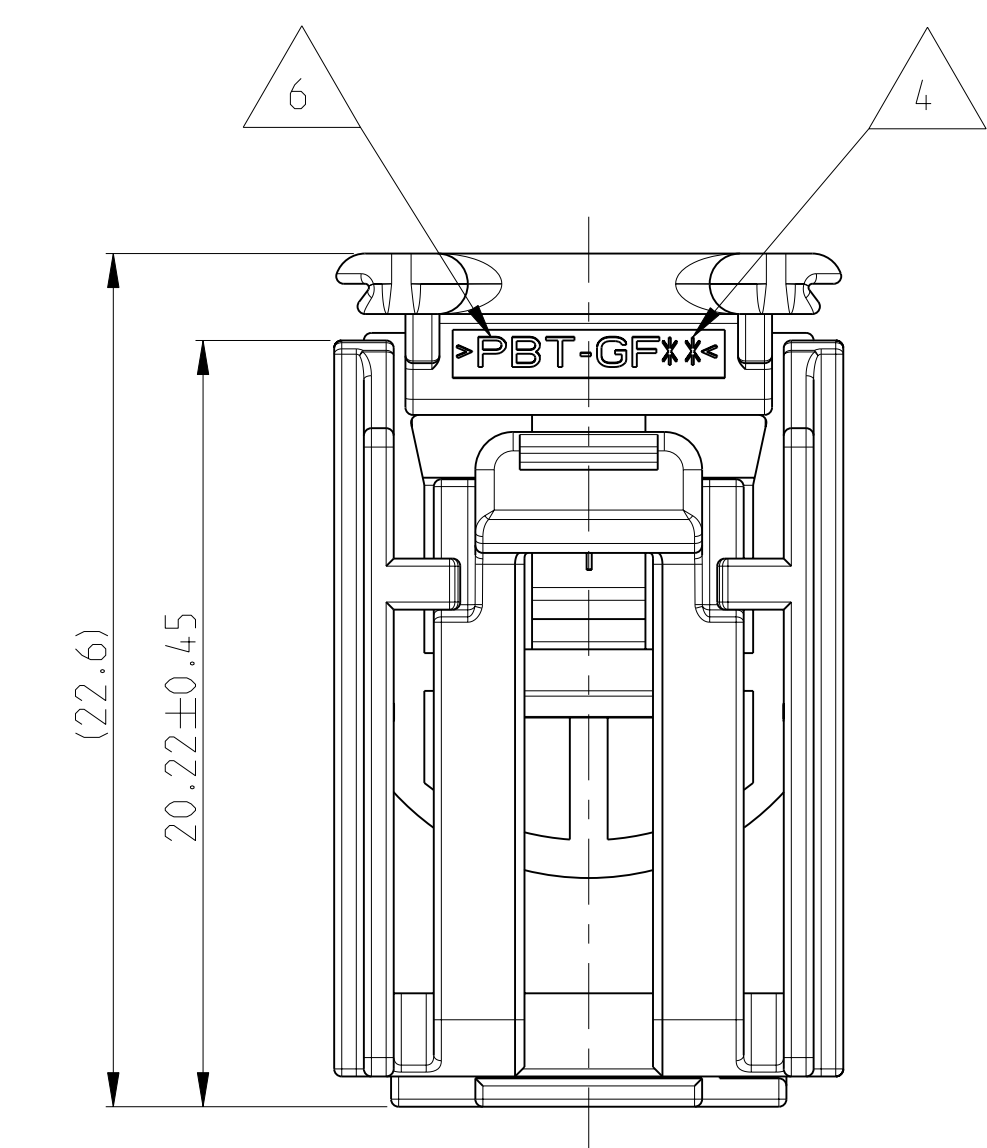
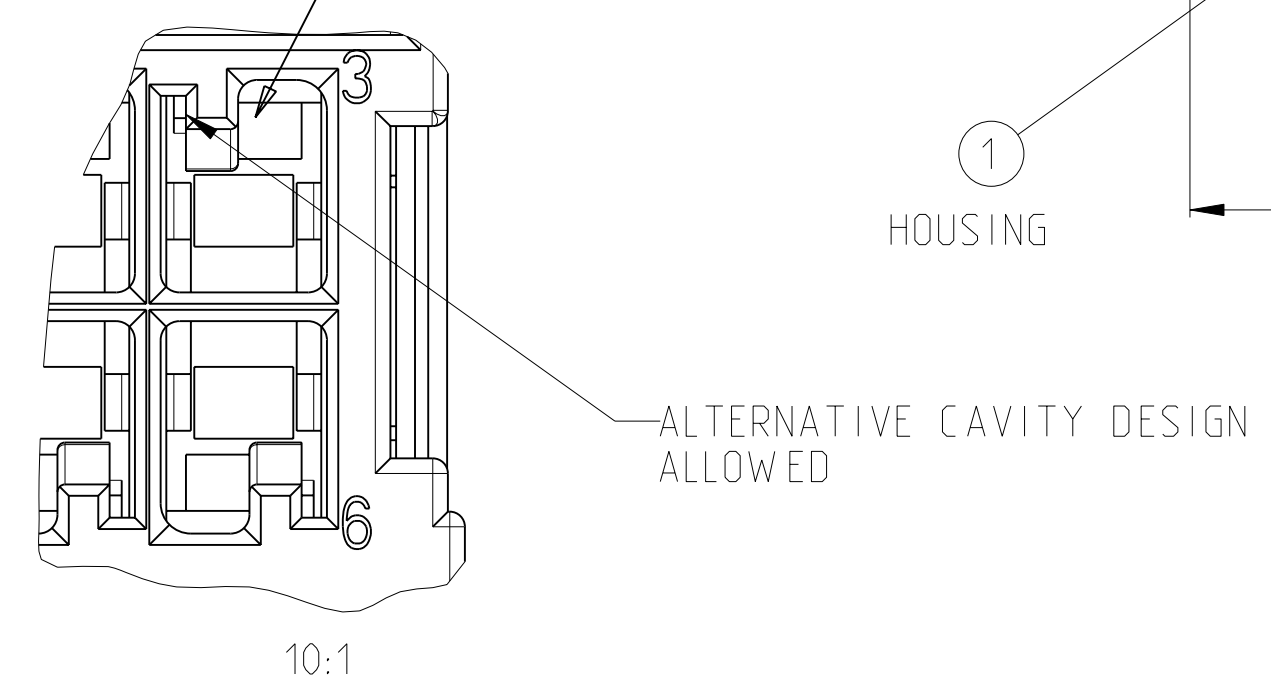
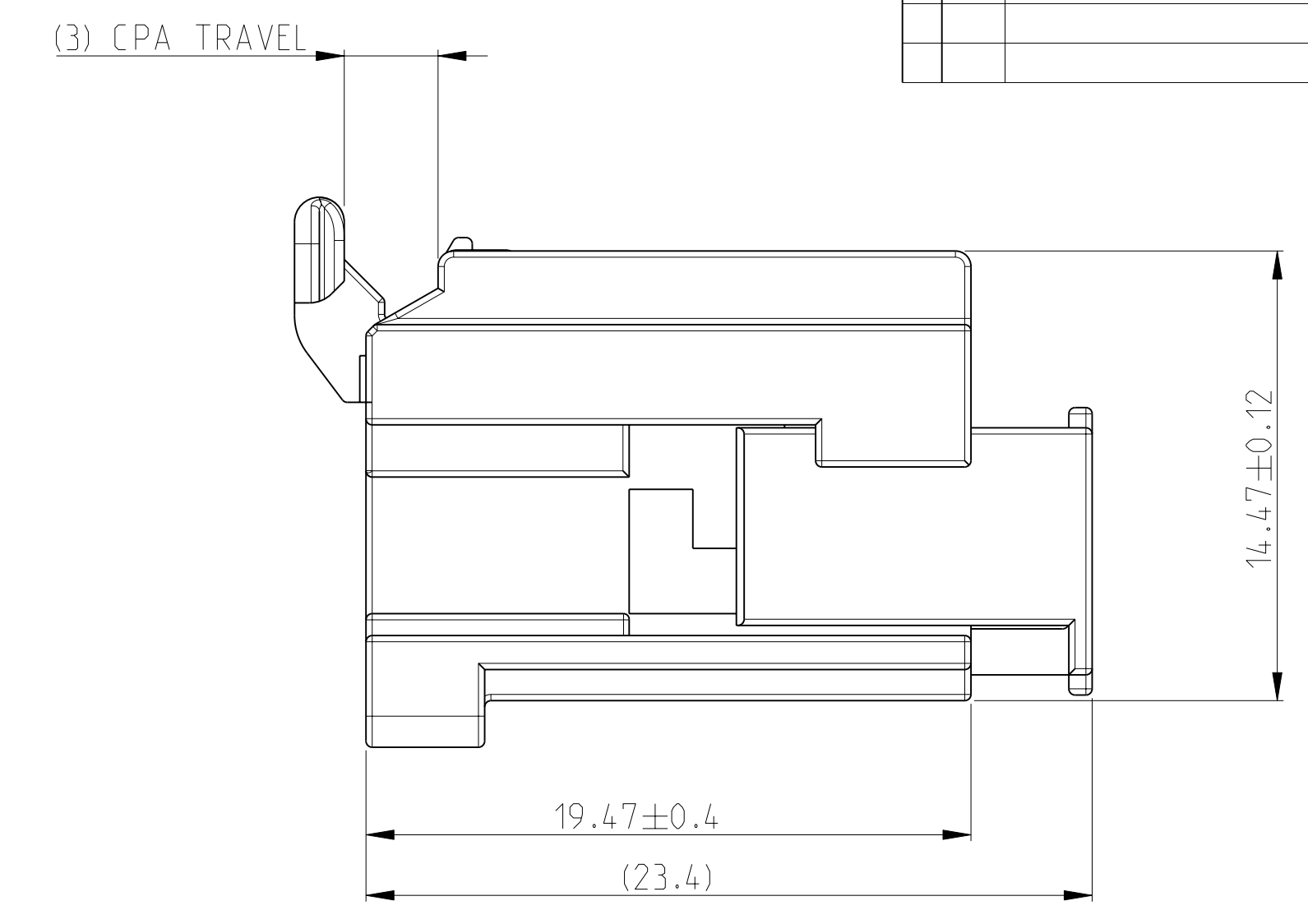
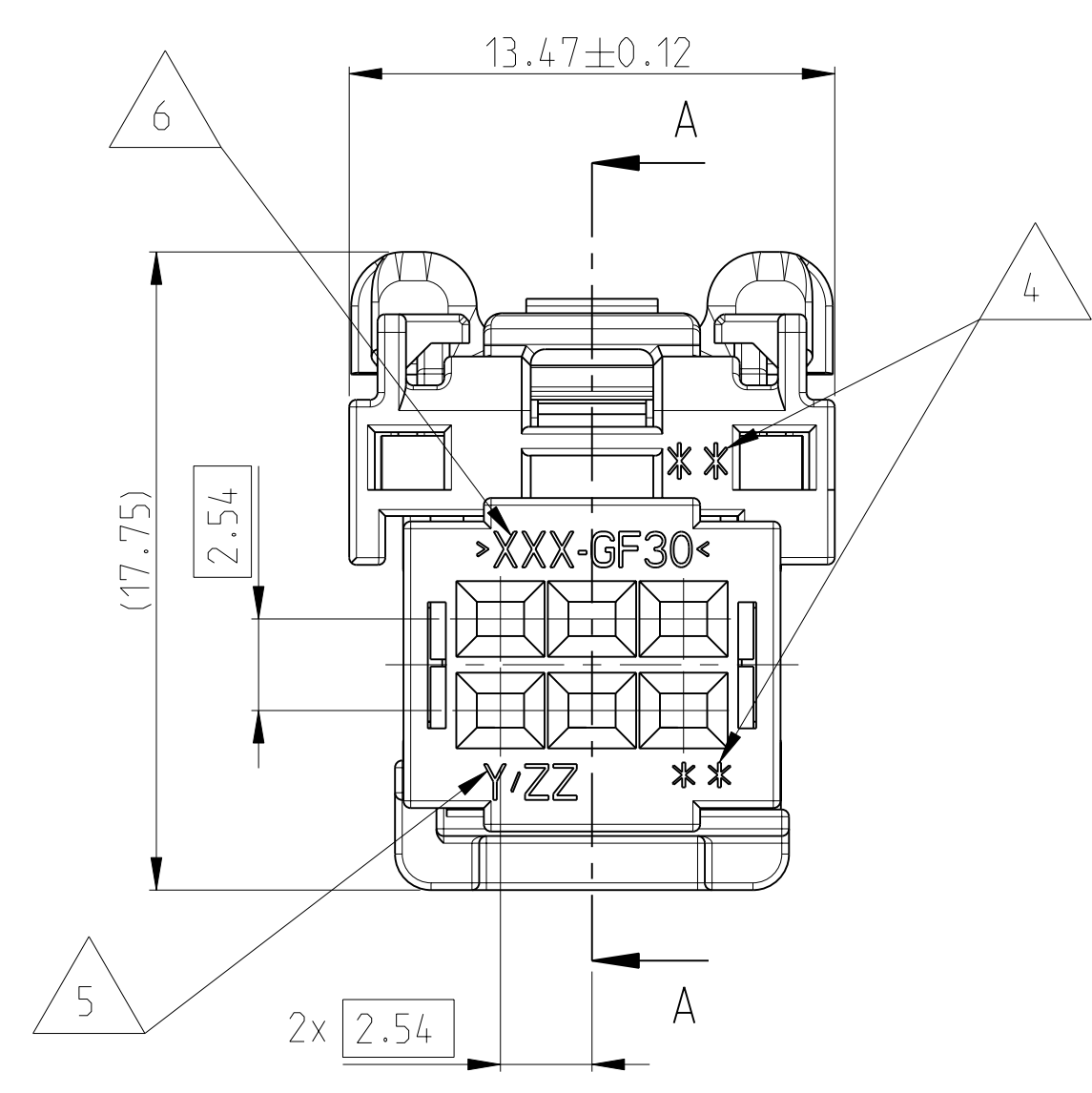
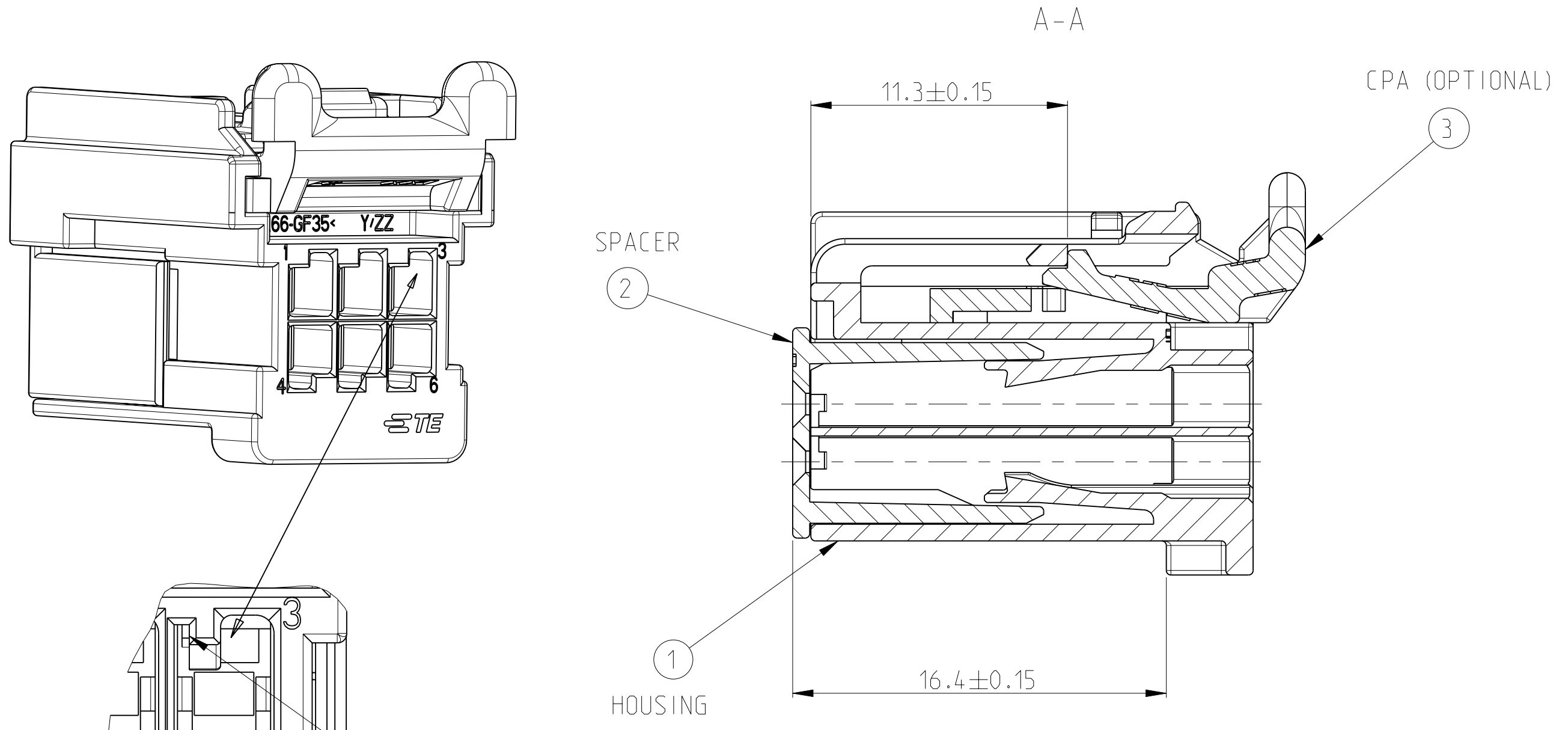
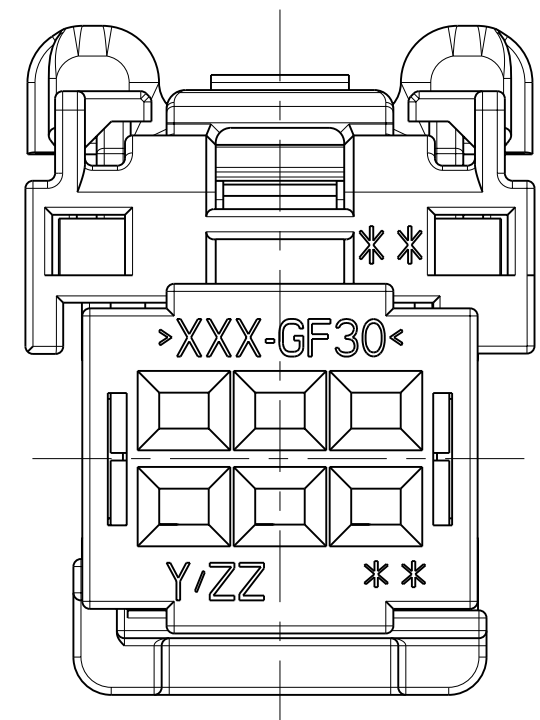


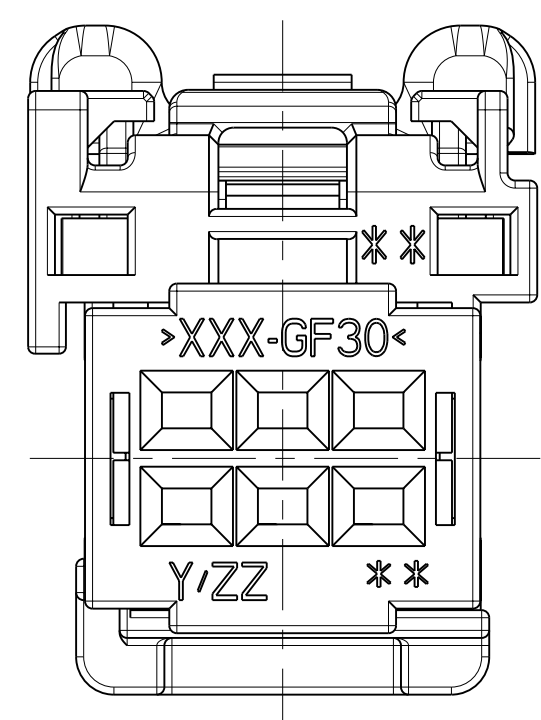
LOC	DIST	REV	DATE	BY	CHK	APPD
A1	-	D1	15MAY2011	RK	HMR	
		D2	18JULY2011	PT	HMR	



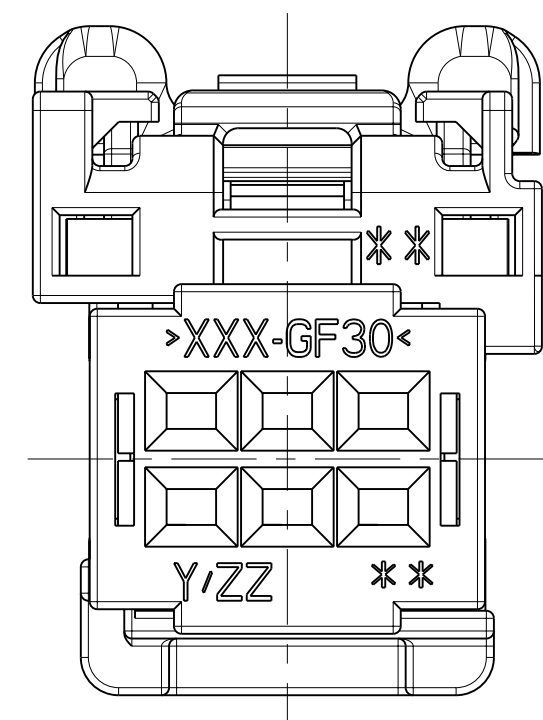
- NOTES:
- MOLD TERMINAL POSITION NUMBERS LOCATED AS SHOWN
 - DELIVERY CONDITION: SPACER AND CPA (OPTIONAL) IN PRE ASSEMBLED POSITION
 - PART NUMBER AND DATE CODE
 - PRODUCT REVISION LEVEL OPTIONAL
 - TOOL NUMBER AND CAVITY NUMBER OPTIONAL
 - MATERIAL IDENTIFICATION
 - TE- LOGO (OPTIONAL) ALTERNATIVE SUPPLIER LOGO POSSIBLE
 - INTERFACE SPEC.: 114-18546
 - KEYING OPTION A SHOWN WITH CPA
 - PACKING: CONNECTOR ASSEMBLIES PACKED ON TRAY TRAYS PACKED IN CARD BOARD BOX



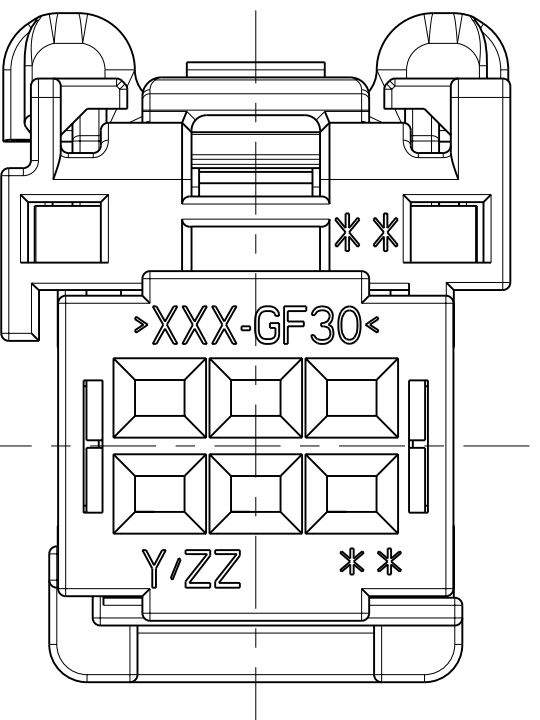
KEYING OPTION A



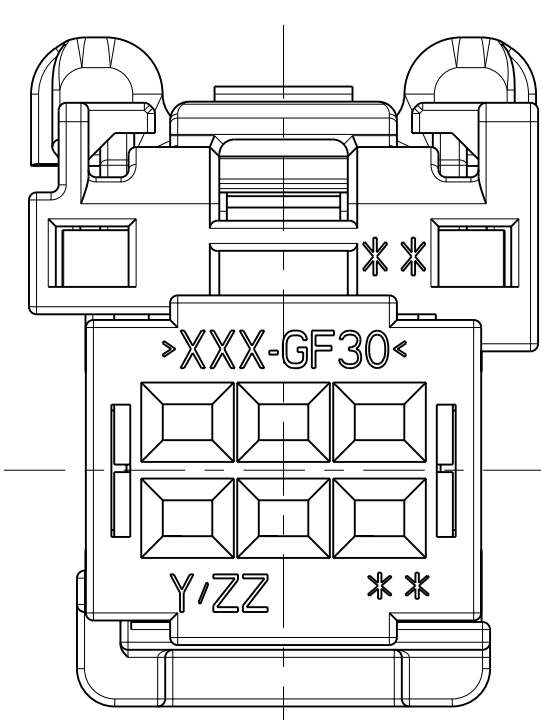
KEYING OPTION B



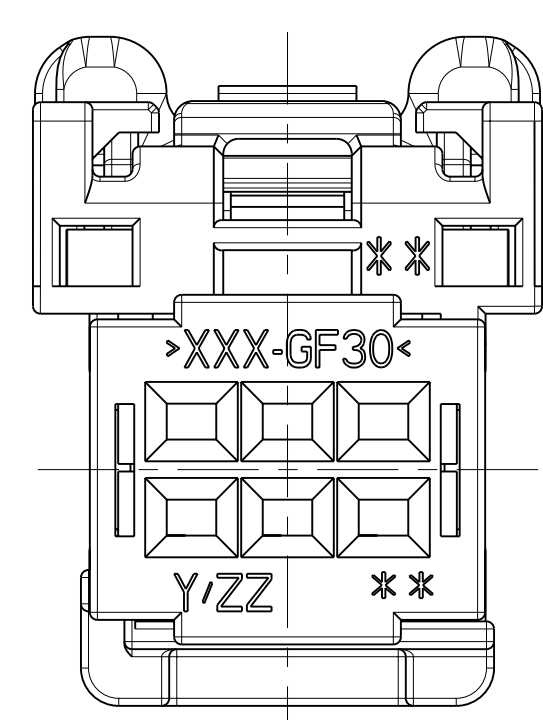
KEYING OPTION C



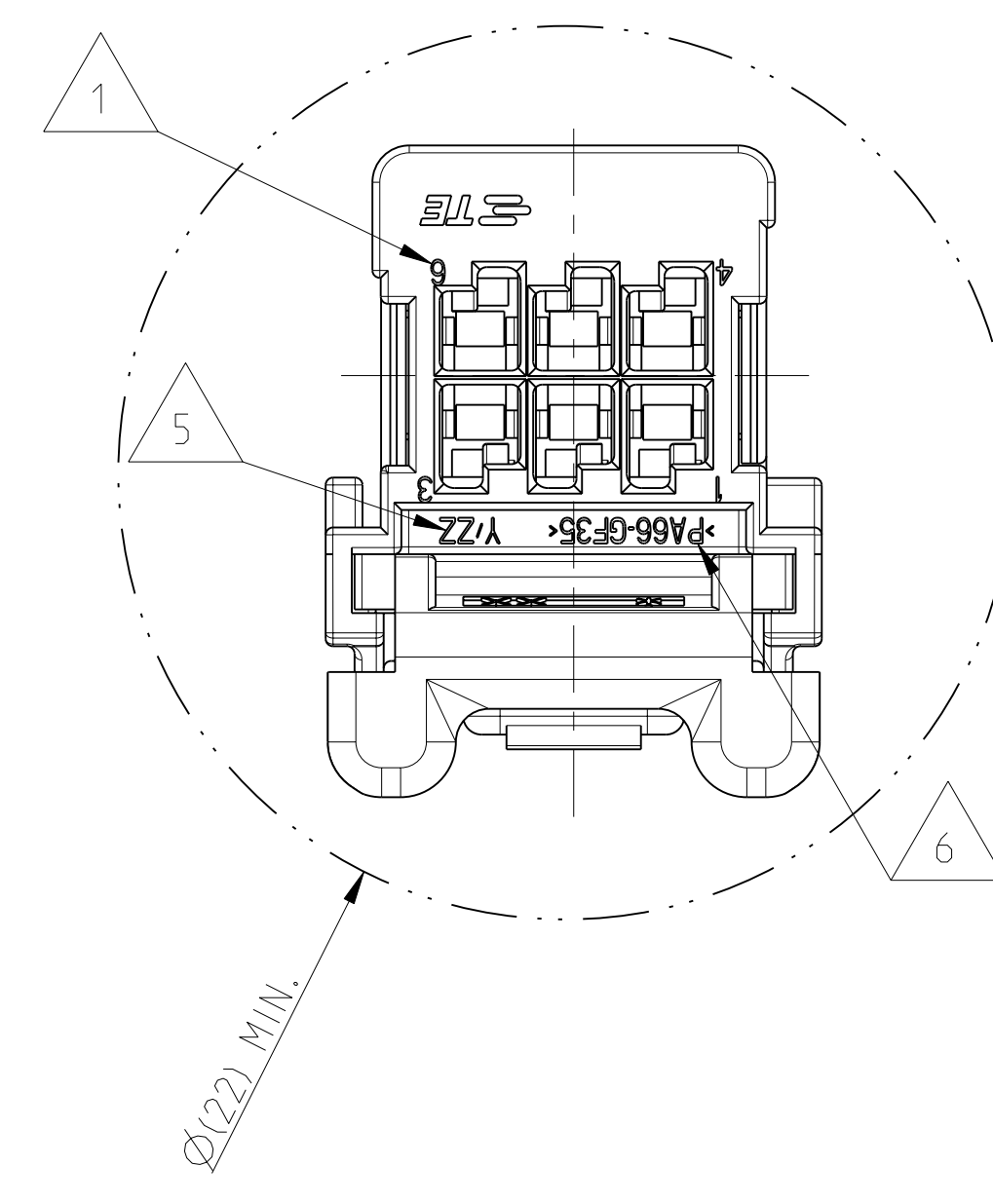
KEYING OPTION D



KEYING OPTION E



KEYING OPTION F



TE-ORDER-NUMBER	KEYING OPTIONS										CPA	RED	PBT-GF20	3					
	F	E	D	C	B	A													
TBD	9-1411325-6	TBD	9-1411325-5	1411325-4	1-1411325-4	9-1411325-4	1411325-3	1-1411325-3	9-1411325-3	1419158-6	1-1411325-2	9-1411325-2	1419158-5	1-1411325-1	9-1411325-1				
1	1	1	1	1	1	1	1	1	1	1	1	1	1	1	1	CPA	RED	PBT-GF20	3
1	1	1	1	1	1	1	1	1	1	1	1	1	1	1	1	SPACER	RED	PBT-GF30	2
													1	1		HOUSING COD. A	BLACK	PA66-GF35	1
										1	1					HOUSING COD. A	GREEN	PA66-GF35	1
													1			HOUSING COD. B	BLACK	PA66-GF35	1
										1						HOUSING COD. B	GREY	PA66-GF35	1
								1	1							HOUSING COD. C	BLACK	PA66-GF35	1
										1						HOUSING COD. C	BROWN	PA66-GF35	1
				1	1											HOUSING COD. D	BLACK	PA66-GF35	1
						1										HOUSING COD. D	BLUE	PA66-GF35	1
1	1															HOUSING COD. E	BLACK	PA66-GF35	1
																HOUSING COD. F	BLACK	PA66-GF35	1

THIS DRAWING IS A CONTROLLED DOCUMENT. DIMENSIONS: mm. TOLERANCES UNLESS OTHERWISE SPECIFIED: 1-PLC ±, 2-PLC ±, 3-PLC ±, 4-PLC ±, 5-PLC ±, 6-PLC ±, 7-PLC ±, 8-PLC ±, 9-PLC ±, 10-PLC ±. MATERIAL: -. FINISH: -. WEIGHT: -. CUSTOMER DRAWING: -. DATE: 15 JUL 1998. DWG: B. Depuytere. CHK: G.W. Illems. APPD: B. Van Schoeck. PRODUCT SPEC: -. APPLICATION SPEC: -. SCALE: 5:1. SHEET: 1 OF 1. REV: 02.

STE TE Connectivity
 2X3 POS. GET FEMALE CONNECTOR ASSEMBLY
 SIZE: A1 00779 CAGE CODE: 1411325-3

X-ON Electronics

Largest Supplier of Electrical and Electronic Components

Click to view similar products for [Automotive Connectors](#) category:

Click to view products by [TE Connectivity](#) manufacturer:

Other Similar products are found below :

[003-018-000](#) [60403001](#) [60993906-B](#) [M902-2131](#) [M902-2161](#) [72.330.1035.1](#) [73.353.4028.0](#) [F119300-B](#) [F166900](#) [F258300-B](#) [F358300-B](#)
[F407400](#) [F444110](#) [F487000](#) [F509500B-B](#) [827153-1](#) [8N1515-32-24P](#) [9-1326729-8](#) [925474-1](#) [928905-1](#) [964562-4](#) [968782-1](#) [GT17SA-8DS-](#)
[HU](#) [98891-1012](#) [98947-1016](#) [12004147](#) [12004475-L](#) [12010290](#) [12010309-B](#) [12015454](#) [12020219-B](#) [12020308](#) [12041318-B](#) [12052225-L](#)
[12052466](#) [12059125](#) [12064869](#) [12004327-B](#) [12010503-B](#) [12015308](#) [12015384](#) [12015909](#) [1-21030-1](#) [12041254](#) [12041318](#) [12047946-B](#)
[12047957](#) [12047957-L](#) [12059473](#) [12066261](#)