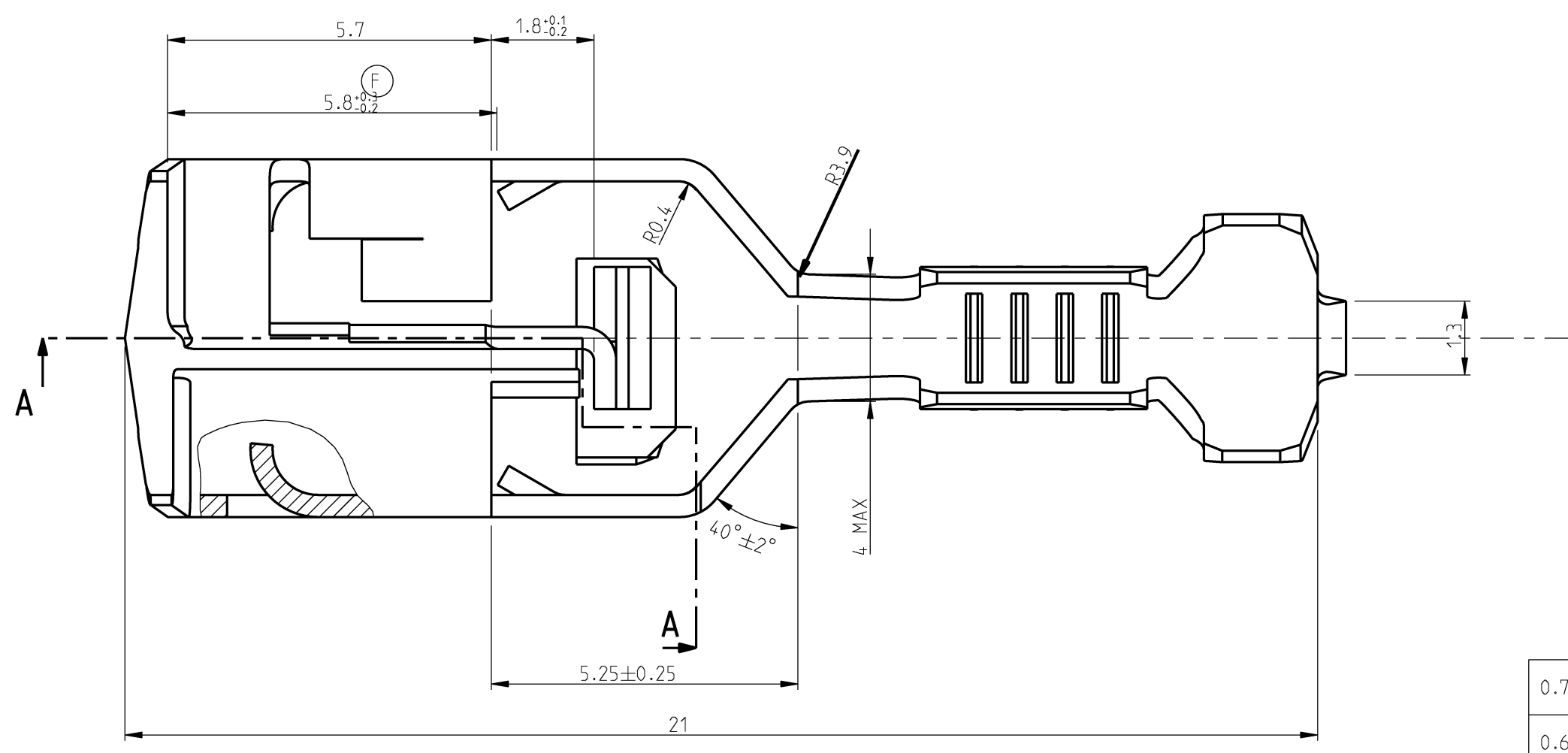
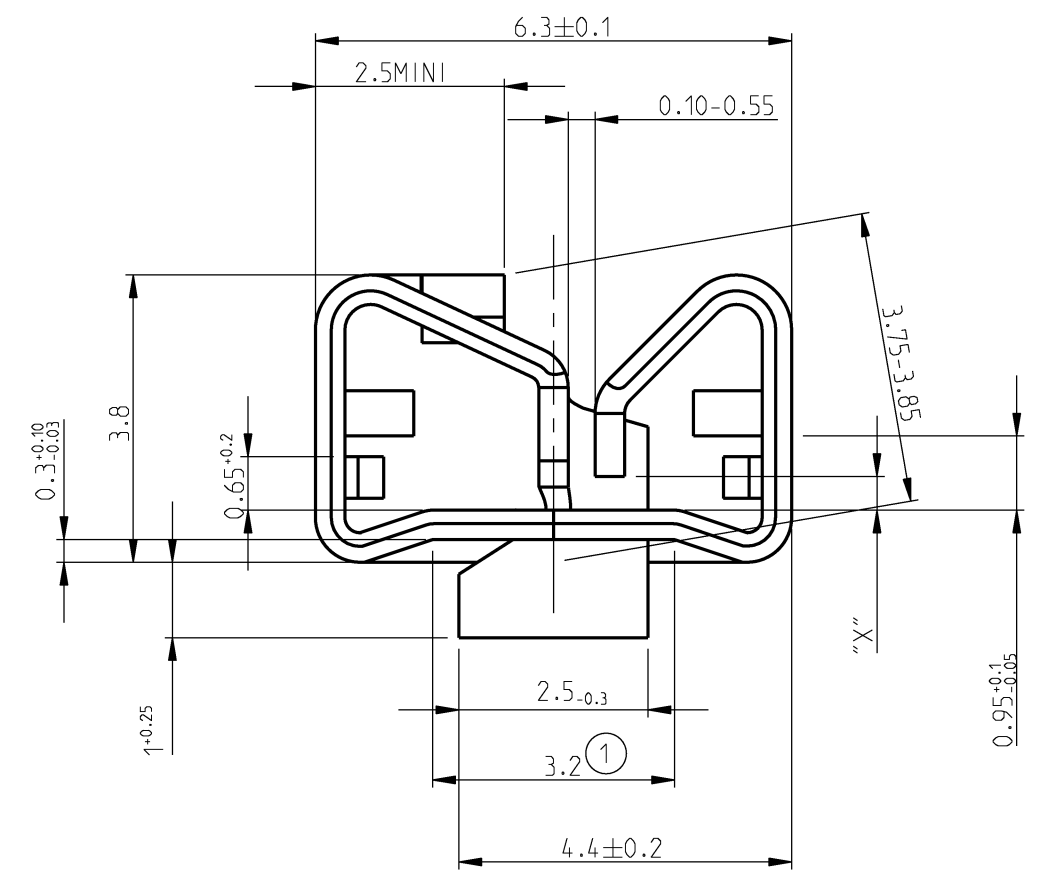
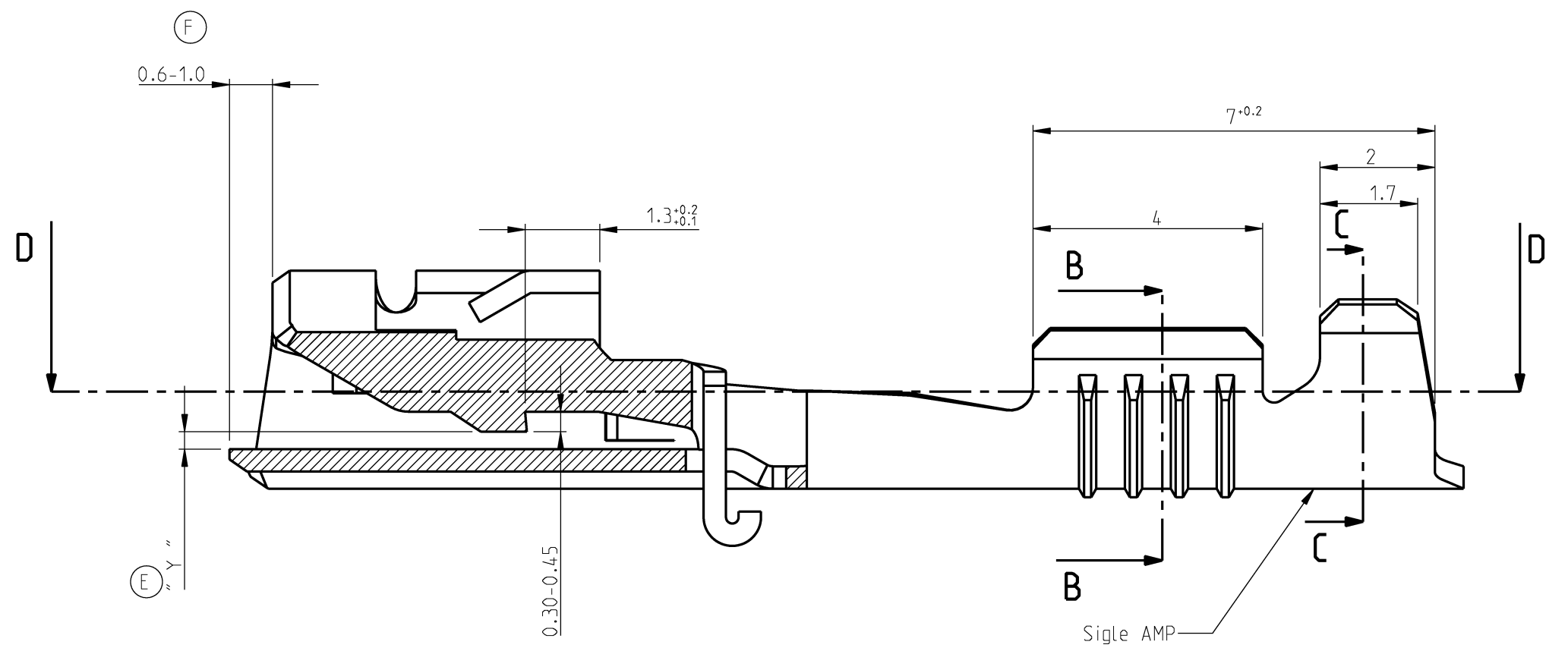
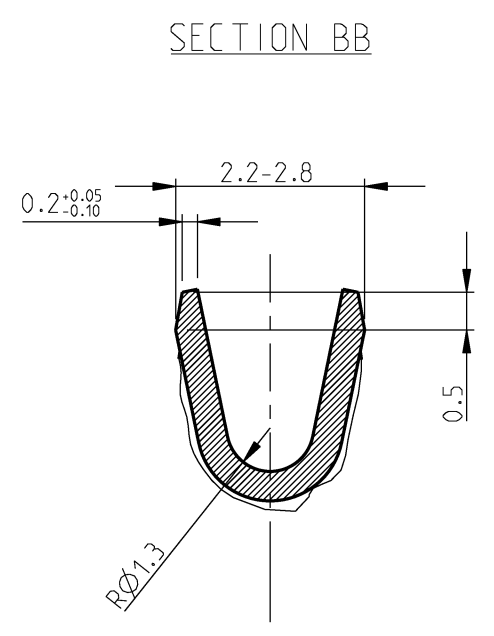
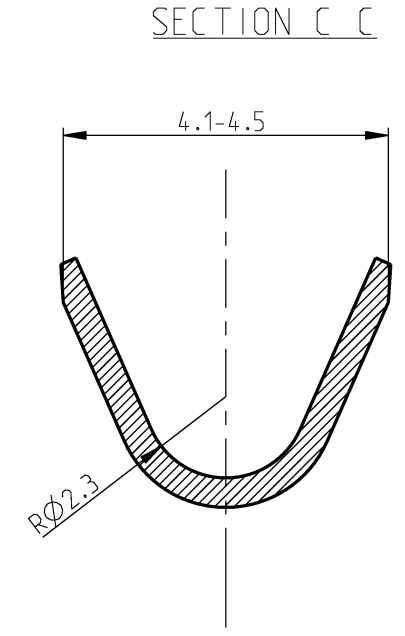


THIS DRAWING IS UNPUBLISHED. RELEASED FOR PUBLICATION
 © COPYRIGHT copyright_date BY TYCO ELECTRONICS CORPORATION. ALL RIGHTS RESERVED.

LOC	DIST	REVISIONS			
P	LTR	DESCRIPTION	DATE	DWN	APVD
J		REVISED	05JUL2007	RP	JPP
J1		DRAWING CLARIFICATION	08OCT2009	GM	CG



SECTION D-D
SCALE 10:1

0.72	0.45	1-141991-2	LAITON/BRASS UZ 15	POST-ETAME / POST-TIN Thickness = 3 µm max
0.60	0.30	1-141991-1	LAITON/BRASS UZ 15	BRUT / PLAIN
0.63	0.30	141991-3	LAITON/BRASS UZ 15	PRE-ETAME / PRE-TIN Thickness = 3 µm max
0.63	0.30	141991-2	LAITON/BRASS UZ 15	POST-ETAME / POST-TIN Thickness = 3 µm max
0.63	0.30	141991-1	LAITON/BRASS UZ 15	BRUT / PLAIN
X±0.1	Y±0.2	REFERENCE DE LA PIECE/ TE PN	MATIERE/MATERIAL	FINITION / FINISH

THIS DRAWING IS A CONTROLLED DOCUMENT FOR TYCO ELECTRONICS CORPORATION IT IS SUBJECT TO CHANGE AND THE CONTROLLING ENGINEERING ORGANIZATION SHOULD BE CONTACTED FOR THE LATEST REVISION.		DWN R PATIN 21/03/06 CHK JP PICAUD 21/03/06 APVD J DAHER 21/03/06	Tyco Electronics TYCO ELECTRONICS France SAS BP 39, 95301 CERGY PONTOISE Cedex
DIMENSIONS: mm	TOLERANCES UNLESS OTHERWISE SPECIFIED: 0 PLC ± 1 PLC ±0.1 2 PLC ±0.10 3 PLC ±0.001 4 PLC ±0.0001 ANGLES ±5° FINISH	PRODUCT SPEC APPLICATION SPEC WEIGHT	NAME POSITIVE LOCK 5mm SERIES
MATERIAL VOIR TABLEAU	FINISH VOIR TABLEAU	CUSTOMER DRAWING	SIZE A2 CAGE CODE 00779 DRAWING NO C-141991 RESTRICTED TO
SCALE 10:1		SHEET 1 OF 1	REV J1

X-ON Electronics

Largest Supplier of Electrical and Electronic Components

Click to view similar products for [Terminals](#) category:

Click to view products by [TE Connectivity](#) manufacturer:

Other Similar products are found below :

[00-054007-01074-6](#) [00-054007-70206-1](#) [00-054007-70210-8](#) [00-054007-70217-7](#) [00-054007-70226-9](#) [00-054007-70228-3](#) [00-054007-70248-1](#) [00-054007-70256-6](#) [00-054007-70301-3](#) [00-054007-70316-7](#) [0-0320562-0](#) [00-054007-49560-4](#) [00-054007-70209-2](#) [00-054007-70225-2](#) [00-054007-70227-6](#) [00-054007-70231-3](#) [00-054007-70241-2](#) [00-054007-70242-9](#) [00-054007-70244-3](#) [00-054007-70246-7](#) [00-054007-70263-4](#) [00-054007-70288-7](#) [00-054007-70290-0](#) [00-054007-70300-6](#) [00-054007-70304-4](#) [01-2065-1-0216](#) [01-2900-1-04412](#) [00581P0075](#) [600TS-10](#) [60205-1](#) [604200-1](#) [605601-1](#) [60598-1-CUT-TAPE](#) [61314-6-C](#) [61810-3](#) [61-S](#) [61-SN](#) [626-0194](#) [62-NBM-A](#) [62-SN](#) [62-SP](#) [63-S](#) [640179-1](#) [M55155/059I03](#) [M55155/079C01](#) [M55155/099H02](#) [M55155/109H01](#) [M55155/109H02](#) [M55155/12XH05](#) [M55155/16XH02](#)