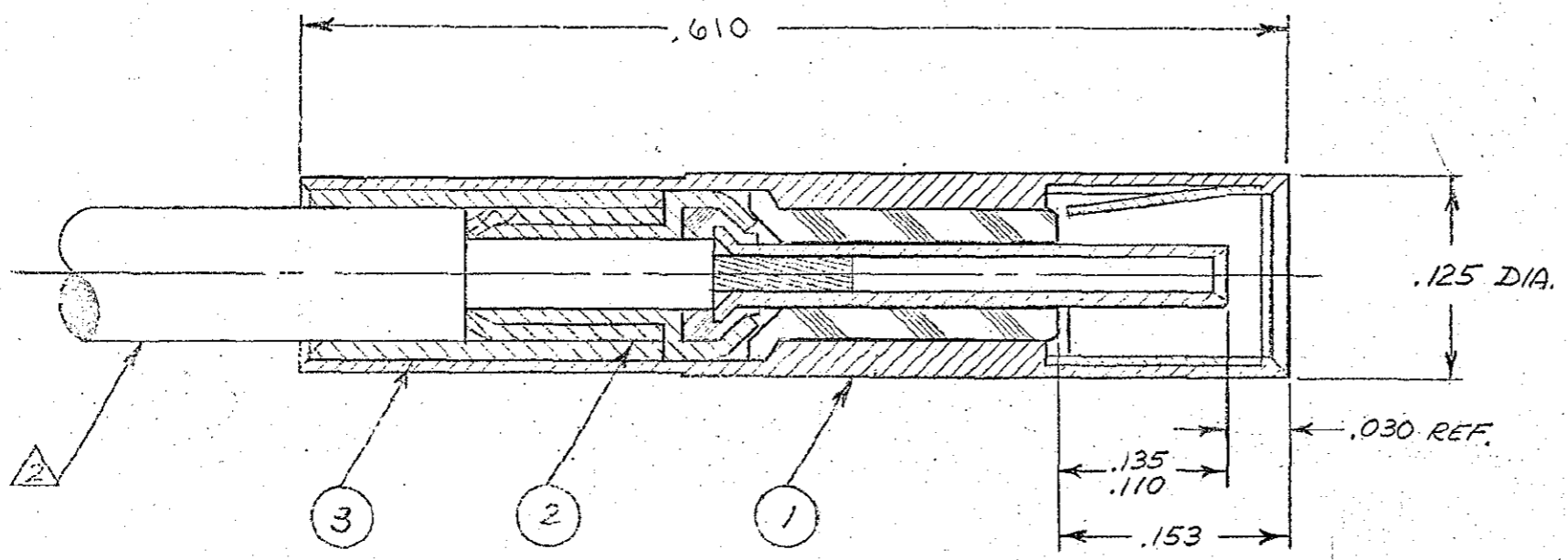


These drawings and specifications are the property of Microdot Inc. and shall not be divulged, reproduced or copied, or used as the basis for the manufacture or sale of any article without written permission of Microdot Inc.



QTY	PART NO.	NOMENCLATURE	MAT'L & SPEC	ITEM
1	014-0004-0002	CRIMP SLEEVE	COPPER ALLOY	③
1	014-1219-0001	CRIMP SLEEVE SUB ASSY.		②
1	014-1196-0001	HOUSING SUB-ASSY		①

- 5. USE MICRODOT TOOL # 010-0150-0000 TO CRIMP CENTER COND. & MALCO TOOL 010-0132-0000 TO CRIMP REAR OF HOUSING.
- 4. SEE RF-ASMB-15 FOR CABLE ASSEMBLY INSTRUCTIONS.
- 3. MATES WITH ALL LEPRA/CON 141- SLIDE-ON SERIES JACKS & RECEPTACLES.
- ② CABLE ACCEPTANCE DIMENSIONS - CENTER COND. .012 NOM; DIELECTRIC .040 MAX; JACKET .081 MAX.
- 1. ALL METALLIC PARTS ARE GOLD PLATED PER MIL-G-45204, TYPE II, GRADE C, CLASS I.

NOTES: UNLESS OTHERWISE SPECIFIED

C	20634	REDESIGNED & REDRAWN	REV	5/16	1966	STANDARD TOLERANCES UNLESS OTHERWISE SPECIFIED DEC. = .010 FRAC. = 1/64" ANGLES = 1/64" ECCENTRICITY MAX. DIA. HOLE DIA. FE SURF. AC. ROUGHNESS MICRO INCHES TOLERANCES TO ALL DIMENSIONS COMMERCIAL TOLERANCES APPLY TO STOCK DIMENSIONS	<b>MALCO</b> A MICRODOT COMPANY, INC. 306 PASADENA AVE., SO. PASADENA, CALIF.	SURFACE TREATMENT NOTED	MATERIAL NOTED	APP	DATE
	D	21458	ITEM 2 WAS 014-1009-0001; DIM CHANGES & ADDITIONS; NOTES 1 & 2 UPDATED; ADDED NOTE 5.	REV	1/12					1966	NOTED
E	21703	1610 WAS .604	REV	1/17	1966						
F	23271	CRIMP TOOL WAS 010-0150-0000	REV	1/19	1966						
G	31921	NOTES 10 & 11 #010-0161-0000	REV	1/19	1966						
H	35397	UPDATE REV LETTER	REV	3/18	1966						
J	40075	REV. UPDATE	REV	3/28	1966						
K	40075	REV. UPDATE	REV	3/28	1966						
L	40446	UPDATE REV LETTER	REV	4/24	1966						

PLUG, SLIDE-ON  
LEPRA/CON

PROB. CODE	946	ISSUE NUMBER	142-1000-0001 L
CODE	CDM	SCALE	10/1
		DATE	6/30/66

## X-ON Electronics

Largest Supplier of Electrical and Electronic Components

*Click to view similar products for [RF Connectors / Coaxial Connectors](#) category:*

*Click to view products by [TE Connectivity](#) manufacturer:*

Other Similar products are found below :

[8915-1511-000](#) [89674-0827](#) [6001-7071-019](#) [6002-7051-003](#) [6002-7551-202](#) [6059674-1](#) [619550-1](#) [630059-000](#) [M39030/3-01N](#) [6500-7071-046](#) [6769](#) [CX050L2AQ](#) [7002-1541-010](#) [7002-1542-011](#) [7004-1512-000](#) [7009-1511-004](#) [7010-1511-000](#) [7029-1511-060](#) [7101-1541-010](#) [7101-1571-002](#) [7105-1521-002](#) [7145-1521-002](#) [7203-1571-003](#) [7209-1511-011](#) [7210-1511-015](#) [7210-1511-019](#) [73137-5015](#) [73216-2241](#) [73404-2300](#) [7405-1521-005](#) [7405-1521-802](#) [8527](#) [8547](#) [FS11V](#) [877931](#) [9049-9513-000](#) [9074-9513-000](#) [9101-9573-002](#) [910A205F](#) [9130-9573-002](#) [PL11SC-026](#) [PL375-33](#) [PL40-5](#) [PL74C-221](#) [PL75MC-217](#) [PL803-7](#) [1200690078](#) [1-201144-1](#) [R107003010W](#) [R110A172100](#)