

THIS DRAWING IS UNPUBLISHED.

RELEASED FOR PUBLICATION

© COPYRIGHT - TE Connectivity Ltd.

ALL RIGHTS RESERVED.

REVISIONS

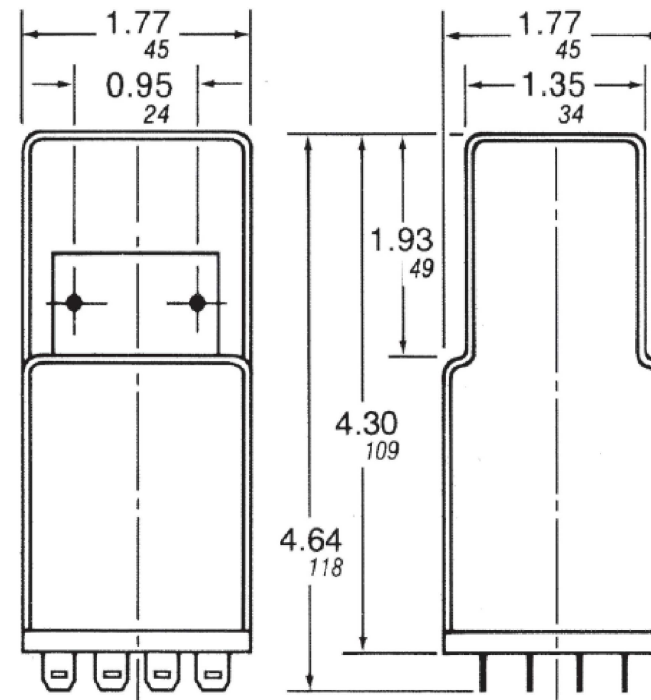
P	LTR	DESCRIPTION	DATE	DWN	APVD
A		INITIAL DRAWN	06AUG2019	RV	DH

GP** *

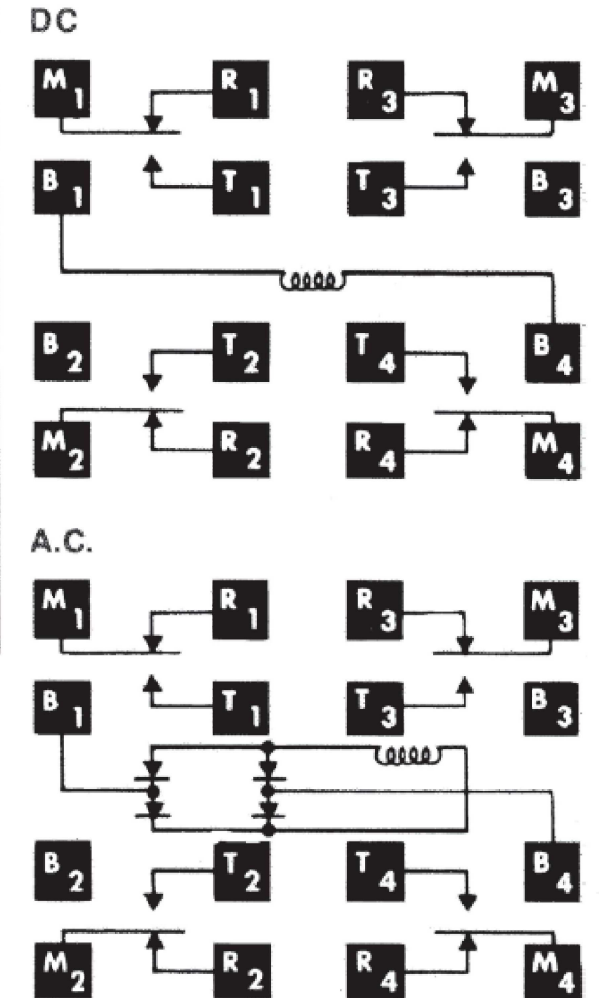
BASIC ASSEMBLY		
CODE	VOLTAGE	PART NO.
GPA	12 VDC	34002-01
GPAN	12 VDC W/BLOWOUT DEVICE	34002-07
GPB	24 VDC	34002-02
GPBN	24 VDC W/BLOWOUT DEVICE	34002-08
GPC	48 VDC	34002-03
GPCN	48 VDC W/BLOWOUT DEVICE	34002-09
GPD	125 VDC	34002-04
GPDN	125 VDC W/BLOWOUT DEVICE	34002-10
GPF	250 VDC	34002-05
GPFN	250 VDC W/BLOWOUT DEVICE	34002-11
GPK	140 VDC	34002-06
GPKN	140 VDC W/BLOWOUT DEVICE	34002-12
GPV	36 VDC	34002-13
GPVN	36 VDC W/BLOWOUT DEVICE	34002-14
GPE	110 VDC	34002-15
GPEN	110 VDC W/BLOWOUT DEVICE	34002-16
GPAA	12 VDC LOW LEVEL LOADS	51871-08
GPBA	24 VDC LOW LEVEL LOADS	51871-09
GPCA	48 VDC LOW LEVEL LOADS	51871-10
GPDA	110 VDC LOW LEVEL LOADS	51871-11
GPYA	6 VDC LOW LEVEL LOADS	51871-07

OPTIONS		
CODE R	CODE Q	CODE QR
COIL SUPPR ASS'Y P/N	IND.LIGHT ASS'Y P/N	COMBINATION ASS'Y P/N
34114-01	N/A	N/A
34114-01	N/A	N/A
34114-01	34113-05	34115-05
34114-01	34113-05	34115-05
34114-01	N/A	N/A
34114-01	N/A	N/A
34114-01	34113-01	34115-01
34114-01	34113-01	34115-01
34114-02	34113-02	34115-02
34114-02	34113-02	34115-02
34114-01	34113-01	34115-01
34114-01	34113-01	34115-01
34114-01	N/A	N/A
34114-01	N/A	N/A
34114-01	N/A	N/A
34114-01	N/A	N/A

ACCESSORIES		
CATALOG CODE	DESCRIPTION	PART NO.
CR0064	REAR CONNECTED SOCKET WITH O.C. TERMINAL	34140-01
CR0191	REAR CONNECTED SOCKET WITH SCREW TERMINAL	34140-02
CR0179	EXTRACTING HANDLE	34141-01
	MULTIPLE SOCKET	34058-01
	HARDWARE FOR MULTIPLE SOCKET	34065-01
CR0066	FRONT TERMINAL SOCKET WITH O.C. TERMINAL	34142-01
CR0067	FRONT TERMINAL SOCKET WITH SCREW TERMINAL	34142-02
	SURFACE MOUNTING SOCKET, PACKAGED	34071-01
CR0189	LOCKING SPRING KIT	34143-01
	LOCKING SPRING	34069-01
CR0070	LOCKING SPRING KIT	34144-01
	KEY PLUG	34072-01
CR0090	LOCKING SPRING KIT	34145-01
CR0091	DUAL REAR CONNECTED SOCKET, SOLDER TERMINAL	34146-01
CR0092	INTERLOCKING PINS, BAGGED (100)	34092-01
CR0095	SURFACE MOUNTING SOCKET, MODIFIED, PACKAGED	34095-01
CR0190	MAGNETIC BLOW OUT KIT	34093-01
CR0001	RELAY SOCKET KIT	34122-01
CR0002	RELAY SOCKET KIT	34121-01
CR0111	RETAINING SPRING KIT	34123-01
CR0188	ORIENTING PIN (SQUARE)	34007-01
CR0133	LOCKING SPRING KIT	34147-01
CR0155	LOCKING SPRING KIT	34148-01
CR0156	LOCKING SPRING KIT, HD	34217-01



Outline Dimensions



Wiring Diagrams (Bottom Views)

Ordering Information

Typical Part No. **GP** **I** **N**

1. Basic Series:
GP = Non-latching Control Relay ML = Magnetic Latching Control Relay

2. Coil Voltage:
A = 12VDC G = 24VAC, 60 Hz.
B = 24VDC I = 120VAC, 60 Hz.
C = 48VDC J = 220VAC, 60 Hz.
D = 125VDC
F = 250VDC

3. Options:
N = Magnetic Blow-out Device
Q = Light to indicate coil energization (GP only. 120VAC, 125VDC, 220VAC and 250VDC voltages only.)
R = Internal diode to suppress coil de-energization transient. (GP only. When used on DC unit, relay release time increases to same value as AC unit).

NOTES:

- OPTION "Q" AND OPTION COMBINATION "QR" ONLY AVAILABLE ON RELAYS WITH OPERATING VOLTAGES OF 24V & 120V OR GREATER.
- OUTLINE AND DIM. DWG. : SS-651.
- TEST PER TP-GPR-01.
- FOR DIELECTRIC TEST OF COILS SEE TP-GR-02.

ALL DIMENSIONS ARE IN INCHES[MM].

THIS DRAWING IS A CONTROLLED DOCUMENT.		DWN	RV	06AUG2019	 TE Connectivity	NAME	GP SERIES, 10AMPS CONTROL RELAY					
DIMENSIONS: INCHES		CHK	RV	06AUG2019			PRODUCT SPEC	APPLICATION SPEC	SIZE	CAGE CODE	DRAWING NO	RESTRICTED TO
		APVD	DH	06AUG2019					—	—	—	—
MATERIAL		TOLERANCES UNLESS OTHERWISE SPECIFIED:		FINISH		WEIGHT	A3	—	©=GP-SERIES	—	—	
—		0 PLC ± — 1 PLC ± — 2 PLC ± — 3 PLC ± — 4 PLC ± — ANGLES ± —		—		CUSTOMER DRAWING	SCALE	NTS	SHEET	1 of 3	REV	A

THIS DRAWING IS UNPUBLISHED.

RELEASED FOR PUBLICATION

REVISIONS

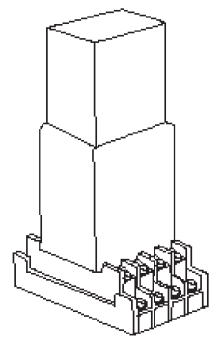
© COPYRIGHT - TE Connectivity Ltd.

ALL RIGHTS RESERVED.

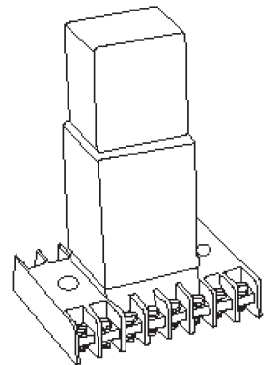
P	LTR	DESCRIPTION	DATE	DWN	APVD
-	-	SEE SHEET 1	-	-	-

Accessories for GP/ML/TR Series Control Relays

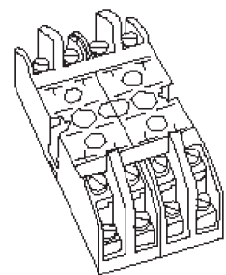
Front Connected Sockets



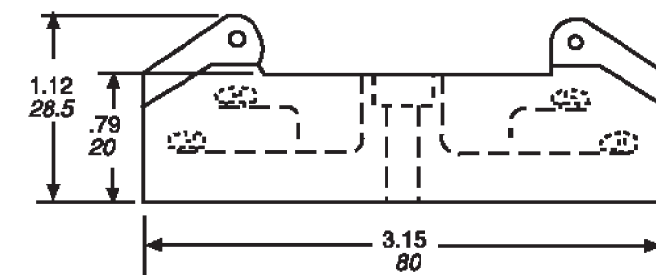
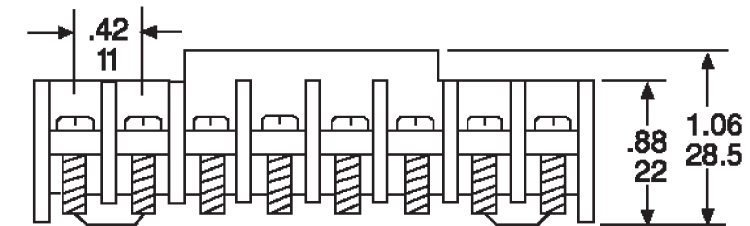
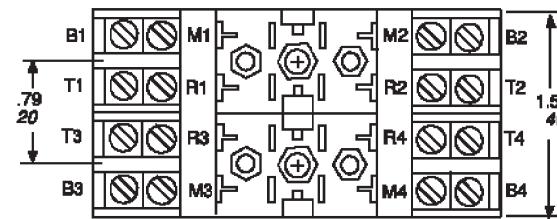
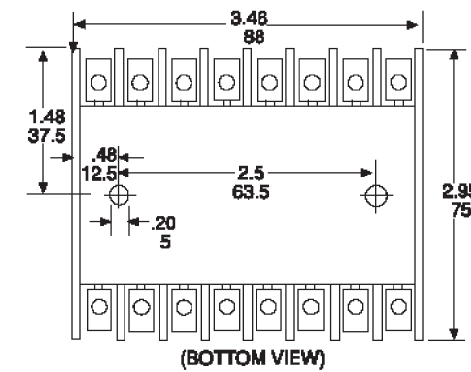
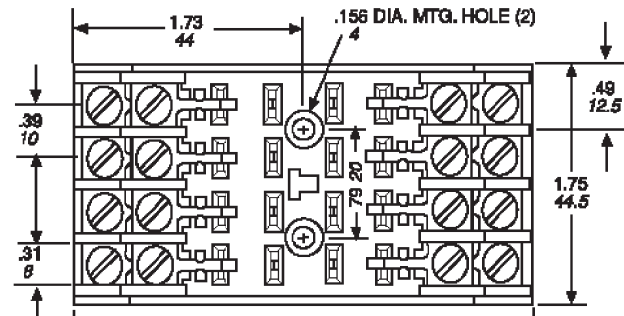
Cat. No. CR0001
With captive clamp terminals



Cat. No. CR0095
With (#6) screw terminals



Cat. No. CR0067
With (#6) screw terminals



ALL DIMENSIONS ARE IN INCHES[MM].

THIS DRAWING IS A CONTROLLED DOCUMENT.		DWN	RV	06AUG2019	 TE Connectivity	NAME					
DIMENSIONS: INCHES		CHK	RV	06AUG2019		GP SERIES, 10AMPS CONTROL RELAY					
		APVD	DH	06AUG2019		-					
TOLERANCES UNLESS OTHERWISE SPECIFIED:		PRODUCT SPEC			-			SIZE	CAGE CODE	DRAWING NO	RESTRICTED TO
0 PLC ± -		APPLICATION SPEC			-			A3	-	GP-SERIES	-
1 PLC ± -		WEIGHT			-			SCALE		SHEET	REV
2 PLC ± -		CUSTOMER DRAWING			-			NTS		2 of 3	A
3 PLC ± -											
4 PLC ± -											
ANGLES ± -											
FINISH											
-											

THIS DRAWING IS UNPUBLISHED.

RELEASED FOR PUBLICATION

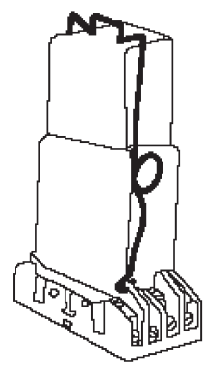
REVISIONS

© COPYRIGHT - TE Connectivity Ltd.

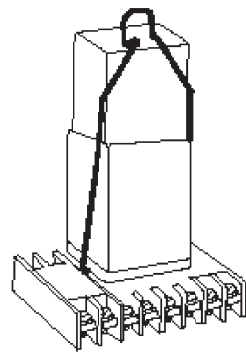
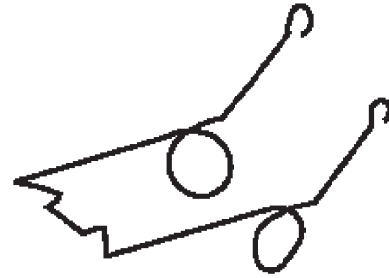
ALL RIGHTS RESERVED.

P	LTR	DESCRIPTION	DATE	DWN	APVD
-	-	SEE SHEET 1	-	-	-

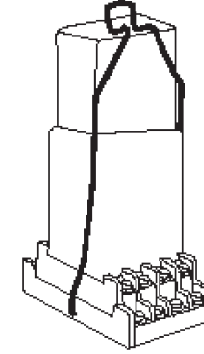
Hold Down (Locking) Springs



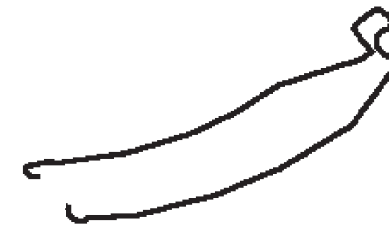
Cat. No. CR0069
For socket: CR0067



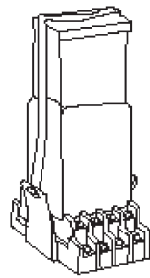
Cat. No. CR0070
For socket: CR0095



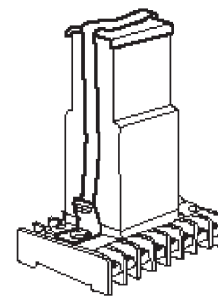
Cat. No. CR0111
For sockets: CR0001 & CR0002



Heavy-duty Hold Down (Locking) Straps



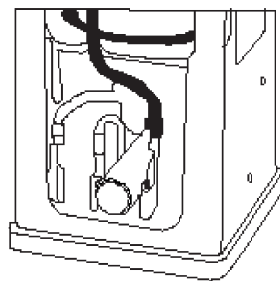
***Cat. No. CR0133**
For socket: CR0001 & CR0002



***Cat. No. CR0155**
For socket: CR0095

* Catalog number includes strap, strap plate and necessary brackets.

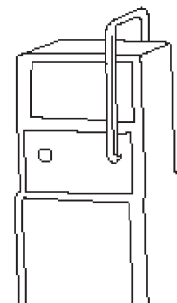
Magnetic Blowout Device



Cat. No. CR0190


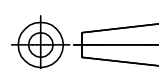
Reduces arcing on the relay contacts when they make or break contact, either upon energizing or de-energizing, resulting in less contact degradation. Extends the life of the contact.

Extracting Handle



Cat. No. CR0179

Used to remove GP, ML and TR units from mounting bases.

THIS DRAWING IS A CONTROLLED DOCUMENT.		DWN	RV	06AUG2019	 TE Connectivity
		CHK	RV	06AUG2019	
		APVD	DH	06AUG2019	
DIMENSIONS: INCHES	TOLERANCES UNLESS OTHERWISE SPECIFIED:	PRODUCT SPEC		NAME	
	0 PLC ± -	-		GP SERIES, 10AMPS CONTROL RELAY	
	1 PLC ± -	-		-	
	2 PLC ± -	APPLICATION SPEC		-	
	3 PLC ± -	-		SIZE	A3
	4 PLC ± -	-		CAGE CODE	-
	ANGLES ± -	-		DRAWING NO	GP-SERIES
	FINISH -	-		RESTRICTED TO	-
MATERIAL	-	WEIGHT		-	
-		CUSTOMER DRAWING		SCALE	NTS
				SHEET	3 of 3
				REV	A

X-ON Electronics

Largest Supplier of Electrical and Electronic Components

Click to view similar products for [General Purpose Relays](#) category:

Click to view products by [TE Connectivity](#) manufacturer:

Other Similar products are found below :

[PCN-105D3MH,000](#) [59641F200](#) [LY1SAC110120](#) [5X827E](#) [5X837F](#) [5X840F](#) [5X842F](#) [5X848E](#) [LY2N-AC120](#) [LY2S-AC220/240](#) [LY2-US-AC120](#) [LY3-US-AC120](#) [LY4F-UA-DC12](#) [LY4F-UA-DC24](#) [LY4F-US-AC120](#) [LY4F-US-AC240](#) [LY4F-US-DC24](#) [LY4F-VD-AC110](#) [LYQ20DC12](#) [M115C60](#) [M115N010](#) [M115N0150](#) [6031007G](#) [603-12D](#) [61211T0B4](#) [61212T400](#) [61222Q400](#) [61243B600](#) [61243C500](#) [61243Q400](#) [61311BOA2](#) [61311BOA6](#) [61311BOA8](#) [61311C0A2](#) [61311COA1](#) [61311COA6](#) [61311F0A2](#) [61311QOA1](#) [61311QOA4](#) [61311T0D6](#) [61311TOA6](#) [61311TOA7](#) [61311TOB3](#) [61311TOB4](#) [61311U0A6](#) [61312Q600](#) [61312T400](#) [61312T600](#) [61313U200](#) [61313U400](#)