

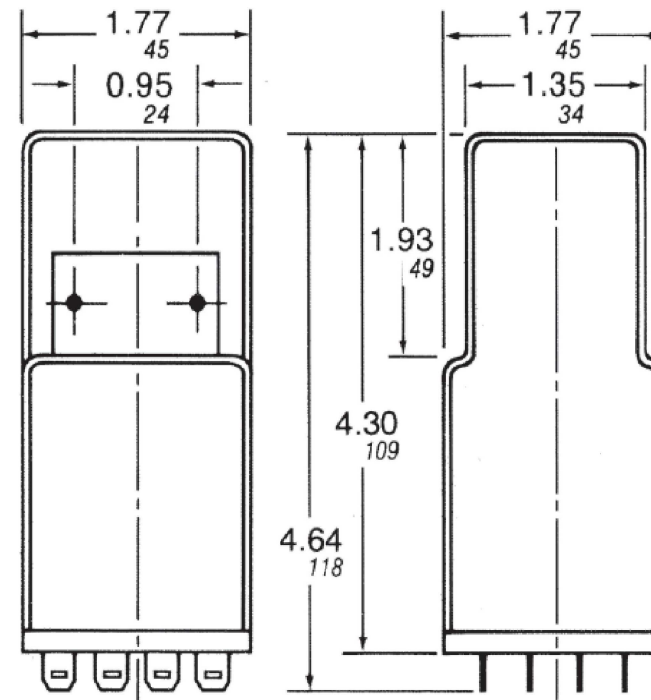
P	LTR	DESCRIPTION	DATE	DWN	APVD
A		INITIAL DRAWN	06AUG2019	RV	DH

GP** *

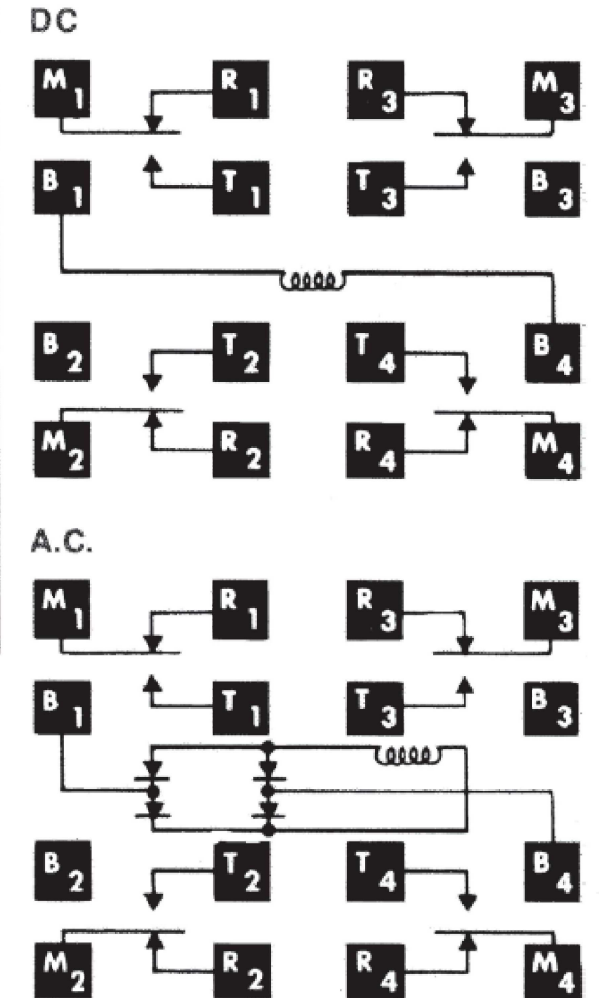
BASIC ASSEMBLY		
CODE	VOLTAGE	PART NO.
GPA	12 VDC	34002-01
GPAN	12 VDC W/BLOWOUT DEVICE	34002-07
GPB	24 VDC	34002-02
GPBN	24 VDC W/BLOWOUT DEVICE	34002-08
GPC	48 VDC	34002-03
GPCN	48 VDC W/BLOWOUT DEVICE	34002-09
GPD	125 VDC	34002-04
GPDN	125 VDC W/BLOWOUT DEVICE	34002-10
GPF	250 VDC	34002-05
GPFN	250 VDC W/BLOWOUT DEVICE	34002-11
GPK	140 VDC	34002-06
GPKN	140 VDC W/BLOWOUT DEVICE	34002-12
GPV	36 VDC	34002-13
GPVN	36 VDC W/BLOWOUT DEVICE	34002-14
GPE	110 VDC	34002-15
GPEN	110 VDC W/BLOWOUT DEVICE	34002-16
GPAA	12 VDC LOW LEVEL LOADS	51871-08
GPBA	24 VDC LOW LEVEL LOADS	51871-09
GPCA	48 VDC LOW LEVEL LOADS	51871-10
GPDA	110 VDC LOW LEVEL LOADS	51871-11
GPYA	6 VDC LOW LEVEL LOADS	51871-07

OPTIONS		
CODE R	CODE Q	CODE QR
COIL SUPPR ASS'Y P/N	IND. LIGHT ASS'Y P/N	COMBINATION ASS'Y P/N
34114-01	N/A	N/A
34114-01	N/A	N/A
34114-01	34113-05	34115-05
34114-01	34113-05	34115-05
34114-01	N/A	N/A
34114-01	N/A	N/A
34114-01	34113-01	34115-01
34114-01	34113-01	34115-01
34114-02	34113-02	34115-02
34114-02	34113-02	34115-02
34114-01	34113-01	34115-01
34114-01	34113-01	34115-01
34114-01	N/A	N/A
34114-01	N/A	N/A
34114-01	N/A	N/A
34114-01	N/A	N/A

ACCESSORIES		
CATALOG CODE	DESCRIPTION	PART NO.
CR0064	REAR CONNECTED SOCKET WITH O.C. TERMINAL	34140-01
CR0191	REAR CONNECTED SOCKET WITH SCREW TERMINAL	34140-02
CR0179	EXTRACTING HANDLE	34141-01
	MULTIPLE SOCKET	34058-01
	HARDWARE FOR MULTIPLE SOCKET	34065-01
CR0066	FRONT TERMINAL SOCKET WITH O.C. TERMINAL	34142-01
CR0067	FRONT TERMINAL SOCKET WITH SCREW TERMINAL	34142-02
	SURFACE MOUNTING SOCKET, PACKAGED	34071-01
CR0189	LOCKING SPRING KIT	34143-01
	LOCKING SPRING	34069-01
CR0070	LOCKING SPRING KIT	34144-01
	KEY PLUG	34072-01
CR0090	LOCKING SPRING KIT	34145-01
CR0091	DUAL REAR CONNECTED SOCKET, SOLDER TERMINAL	34146-01
CR0092	INTERLOCKING PINS, BAGGED (100)	34092-01
CR0095	SURFACE MOUNTING SOCKET, MODIFIED, PACKAGED	34095-01
CR0190	MAGNETIC BLOW OUT KIT	34093-01
CR0001	RELAY SOCKET KIT	34122-01
CR0002	RELAY SOCKET KIT	34121-01
CR0111	RETAINING SPRING KIT	34123-01
CR0188	ORIENTING PIN (SQUARE)	34007-01
CR0133	LOCKING SPRING KIT	34147-01
CR0155	LOCKING SPRING KIT	34148-01
CR0156	LOCKING SPRING KIT, HD	34217-01



Outline Dimensions



Wiring Diagrams (Bottom Views)

Ordering Information

Typical Part No. **GP** **I** **N**

1. Basic Series:
GP = Non-latching Control Relay ML = Magnetic Latching Control Relay

2. Coil Voltage:
A = 12VDC G = 24VAC, 60 Hz.
B = 24VDC I = 120VAC, 60 Hz.
C = 48VDC J = 220VAC, 60 Hz.
D = 125VDC
F = 250VDC

3. Options:
N = Magnetic Blow-out Device
Q = Light to indicate coil energization (GP only. 120VAC, 125VDC, 220VAC and 250VDC voltages only.)
R = Internal diode to suppress coil de-energization transient. (GP only. When used on DC unit, relay release time increases to same value as AC unit).

NOTES:

- OPTION "Q" AND OPTION COMBINATION "QR" ONLY AVAILABLE ON RELAYS WITH OPERATING VOLTAGES OF 24V & 120V OR GREATER.
- OUTLINE AND DIM. DWG. : SS-651.
- TEST PER TP-GPR-01.
- FOR DIELECTRIC TEST OF COILS SEE TP-GR-02.

ALL DIMENSIONS ARE IN INCHES[MM].

THIS DRAWING IS A CONTROLLED DOCUMENT.		DWN	RV	06AUG2019	 TE Connectivity	NAME	GP SERIES, 10AMPS CONTROL RELAY						
DIMENSIONS: INCHES		CHK	RV	06AUG2019			PRODUCT SPEC	APPLICATION SPEC	SIZE	CAGE CODE	DRAWING NO	RESTRICTED TO	
		APVD	DH	06AUG2019					—	—	—	—	—
TOLERANCES UNLESS OTHERWISE SPECIFIED:					0 PLC ± - 1 PLC ± - 2 PLC ± - 3 PLC ± - 4 PLC ± - ANGLES ± -			WEIGHT	A3 - C=GP-SERIES		—		
MATERIAL		FINISH			CUSTOMER DRAWING			SCALE	NTS	SHEET	1 of 3	REV	A

THIS DRAWING IS UNPUBLISHED.

RELEASED FOR PUBLICATION

© COPYRIGHT - TE Connectivity Ltd.

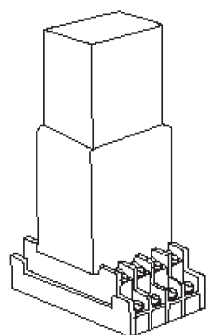
ALL RIGHTS RESERVED.

REVISIONS

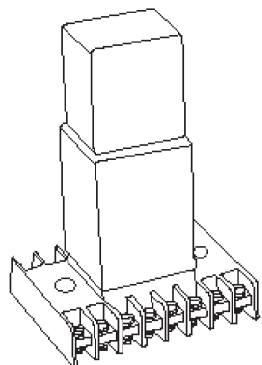
P	LTR	DESCRIPTION	DATE	DWN	APVD
-	-	SEE SHEET 1	-	-	-

Accessories for GP/ML/TR Series Control Relays

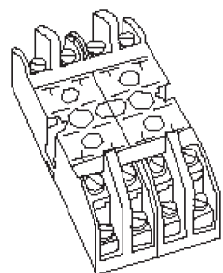
Front Connected Sockets



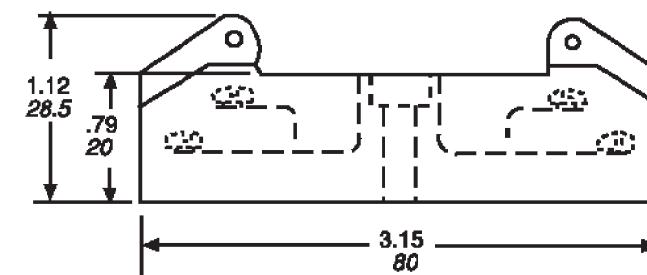
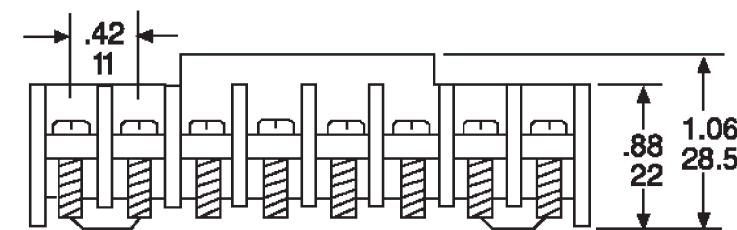
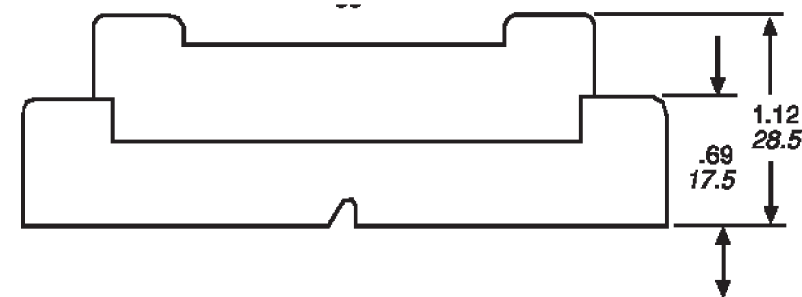
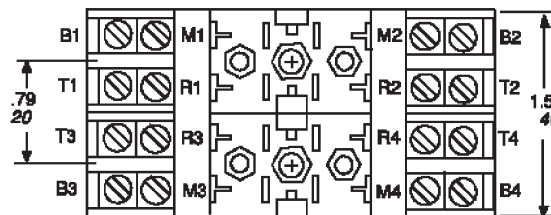
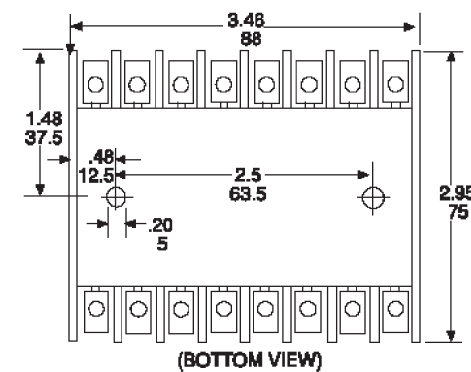
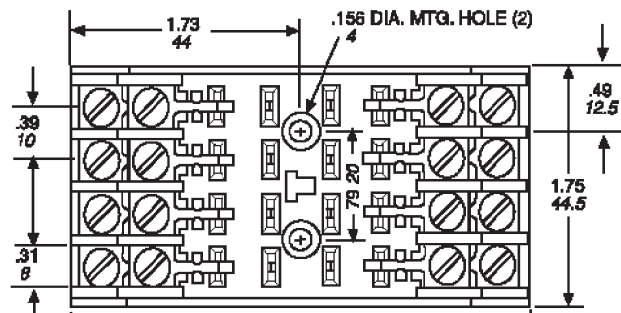
Cat. No. CR0001
With captive clamp terminals



Cat. No. CR0095
With (#6) screw terminals



Cat. No. CR0067
With (#6) screw terminals



ALL DIMENSIONS ARE IN INCHES[MM].

THIS DRAWING IS A CONTROLLED DOCUMENT.		DWN	RV	06AUG2019	 TE Connectivity	NAME		GP SERIES, 10AMPS CONTROL RELAY													
DIMENSIONS: INCHES		CHK	RV	06AUG2019		PRODUCT SPEC		-													
TOLERANCES UNLESS OTHERWISE SPECIFIED:		APVD	DH	06AUG2019		APPLICATION SPEC		-													
<table border="0"> <tr><td>0 PLC</td><td>± -</td></tr> <tr><td>1 PLC</td><td>± -</td></tr> <tr><td>2 PLC</td><td>± -</td></tr> <tr><td>3 PLC</td><td>± -</td></tr> <tr><td>4 PLC</td><td>± -</td></tr> <tr><td>ANGLES</td><td>± -</td></tr> </table>		0 PLC	± -	1 PLC		± -	2 PLC	± -	3 PLC	± -	4 PLC	± -	ANGLES	± -	WEIGHT		-		SIZE	A3	CAGE CODE
0 PLC	± -																				
1 PLC	± -																				
2 PLC	± -																				
3 PLC	± -																				
4 PLC	± -																				
ANGLES	± -																				
MATERIAL		FINISH		-		DRAWING NO		C=GP-SERIES													
-		-		-		RESTRICTED TO		-													
-		-		-		CUSTOMER DRAWING		SCALE	NTS												
-		-		-		SHEET		2 of 3													
-		-		-		REV		A													

X-ON Electronics

Largest Supplier of Electrical and Electronic Components

Click to view similar products for [Time Delay & Timing Relays](#) category:

Click to view products by [TE Connectivity](#) manufacturer:

Other Similar products are found below :

[5NO30](#) [614-11B-0A2](#) [614-11B-0A3](#) [614-11B-0A4](#) [614-11B-0A6](#) [614-11B-0A8](#) [614-11C-0A1](#) [614-11C-0A2](#) [614-11C-0A5](#) [614-11Q-0A3](#) [614-11Q-0A6](#) [614-11T-0A3](#) [614-11T-0A6](#) [614-11T-0A7](#) [614-12B-4A1](#) [614-12C-400](#) [614-12Q-400](#) [614-12T-600](#) [614-22T-4A1](#) [614-43B-400](#) [614-43C-100](#) [614-43F-200](#) [614-43Q-0A2](#) [614-43Q-100](#) [614-43Q-600](#) [614-43T-0A9](#) [614-43T-600](#) [614-43U-400](#) [614-43U-4A1](#) [614-43U-6A2](#) [615-21T-200](#) [655-11T-100](#) [655-11U-500](#) [655-12T-300](#) [655-22T-400](#) [655-22T-600](#) [CUA-41-30001](#) [CUA-41-30030](#) [CUA-41-70180](#) [CUA-41-71038](#) [CUA-42-30005](#) [CUA-42-30010](#) [CUA-42-30120](#) [CUA-42-70120](#) [CUA-99-72502](#) [CUC-41-30030](#) [CUF-42-30010](#) [CUH-41-31006](#) [7012AFX](#) [7012GD](#)