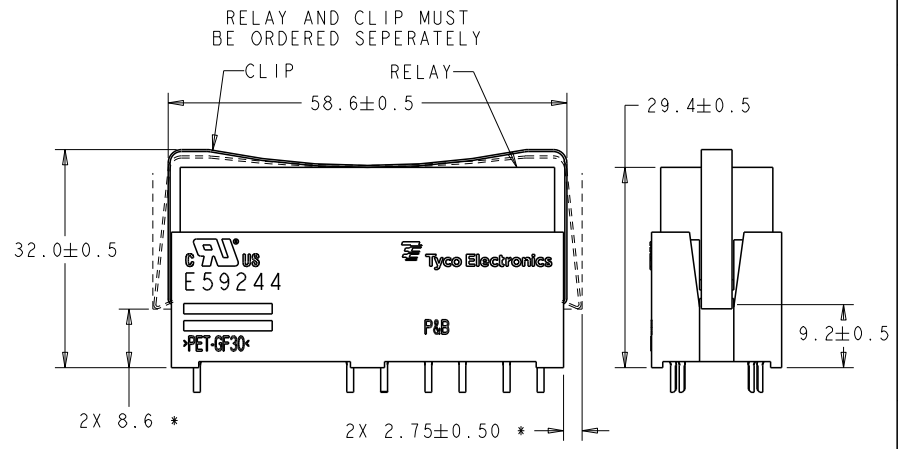
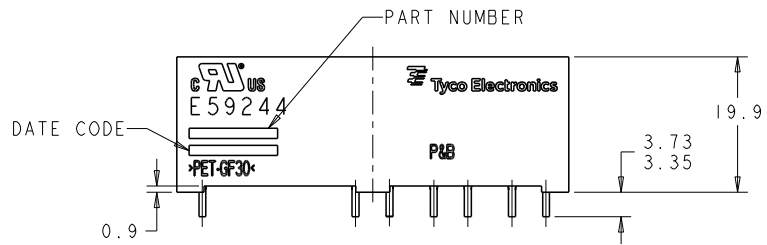
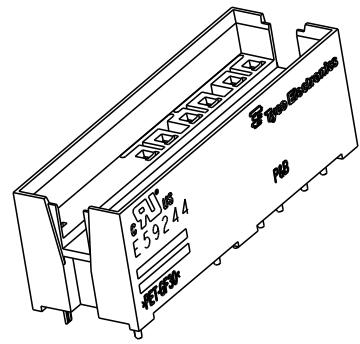
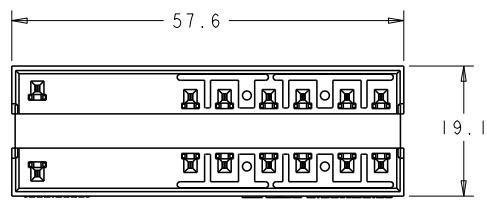


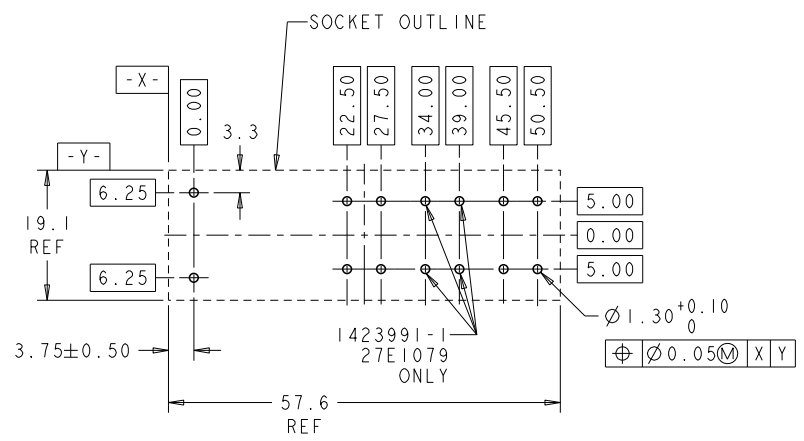
THIS DRAWING IS UNPUBLISHED. RELEASED FOR PUBLICATION 20  
 © COPYRIGHT 20 BY TYCO ELECTRONICS CORPORATION. ALL RIGHTS RESERVED.

LOC	DIST	REVISIONS			
P	LTR	DESCRIPTION	DATE	DRN	APVD
0		RELEASED PER GPRO4-062	23JUL2004	TCS	HL
A		ECR-05-000005	5JAN2005	TCS	HL
B		ECR-10-023228	02DEC2010	JS	WW
-	-	-	-	-	-



RELAY AND CLIP MUST BE ORDERED SEPARATELY

CLIP CLEARANCE INFORMATION ONLY  
 \* = CLEARANCE NEEDED TO INSTALL/REMOVE CLIP



SUGGESTED PCB LAYOUT (BOTTOM VIEW)

- NOTES:  
 1. MATERIAL: CONTACTS - COPPER ALLOY HOUSING - FR-PET, 30% GLASS, COLOR - BLACK  
 2. PLATING: CONTACTS - HALT-TIN DIPPED

27E1080	1423991-2	10
27E1079	1423991-1	14
P&B PART NUMBER	TYCO ELECTRONICS PART NUMBER	NUMBER OF POSITIONS

DIMENSIONS:		TOLERANCES UNLESS OTHERWISE SPECIFIED:		DRN	DATE	Tyco Electronics	
mm		0 PLC	±0.5	J. C. YOSLER	26 JAN 2004	Tyco Electronics Harrisburg, PA 17105-3608	
		1 PLC	±0.5	W. J. RUDY	28 JAN 2004		
		2 PLC	±0.13				
		3 PLC	±0.013				
		4 PLC	±0.0081				
MATERIAL	FINISH	ANGLES	±0.0081	PRODUCT SPEC			
				APPLICATION SPEC			
				SIZE	CAGE CODE	DRAWING NO	RESTRICTED TO
				A2	00779	C-1423991	
				CUSTOMER DRAWING	SCALE	SHEET	OF
					2:1	1	1
							REV
							B

## X-ON Electronics

Largest Supplier of Electrical and Electronic Components

*Click to view similar products for [Relay Sockets & Hardware](#) category:*

*Click to view products by [TE Connectivity](#) manufacturer:*

Other Similar products are found below :

[00111976502](#) [7-1393143-3](#) [7-1616347-8](#) [7-1616350-5](#) [8-1616360-6](#) [9-1616339-5](#) [9-1616358-1](#) [9-1616359-7](#) [9-1616360-2](#) [PLC-10](#) [PT08QN](#)  
[PT 1/8 D = 3.2](#) [12082001](#) [R99-11 FOR MY\(NAMEPLATE\)](#) [RES100K](#) [13909001](#) [1393824-3](#) [13900001](#) [1415526-1](#) [1419106-5](#) [1423683-1](#)  
[1415037-1](#) [14486001](#) [1423685-1](#) [MS-24H](#) [16-1328](#) [MT78N60](#) [17540001](#) [20584002](#) [20C419](#) [2-1393102-4](#) [2-1419106-9](#) [2-1608090-1](#)  
[P70A AC100/110](#) [PB-4H](#) [21B212](#) [RSE120027](#) [9-1616337-0](#) [9-1616337-6](#) [9-1616358-3](#) [27E1038](#) [27E448](#) [S82Y-RN](#) [2944533](#) [LMC-1](#) [16-](#)  
[1340](#) [16154040](#) [1618065-7](#) [9P40X1](#) [17891020](#)