

REVISIONS					
P	LTR	DESCRIPTION	DATE	DWN	APVD
	AM	ECO-20-004897	24AUG2020	SB	JB

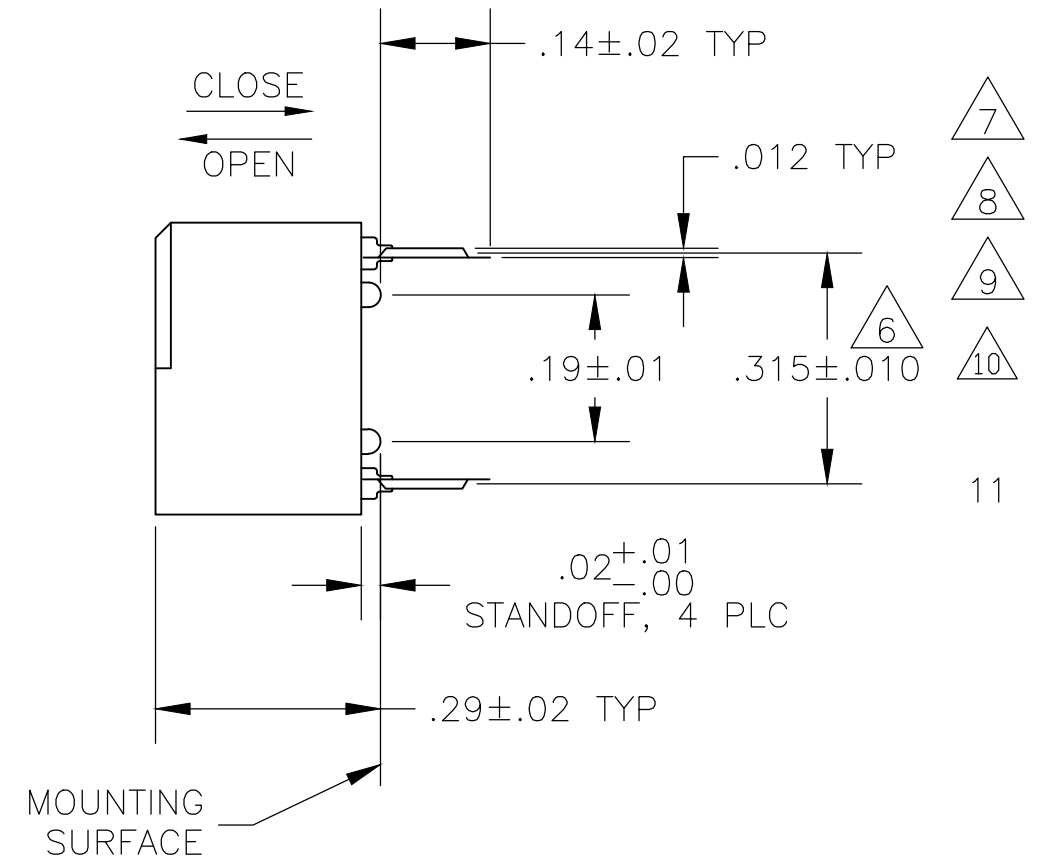
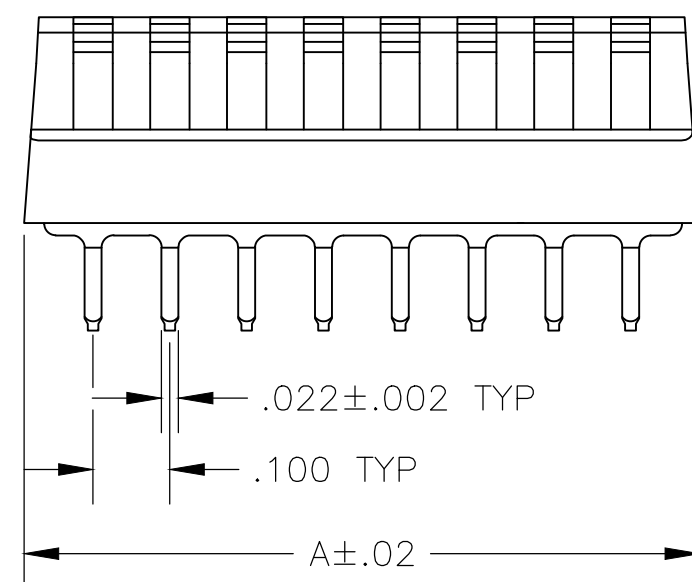
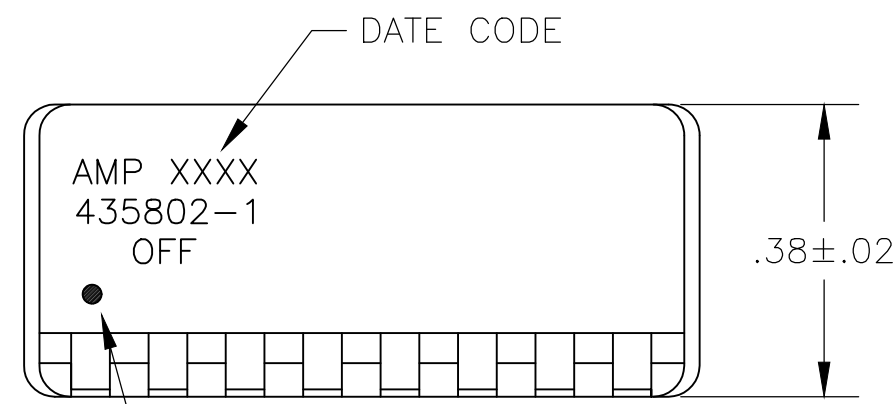
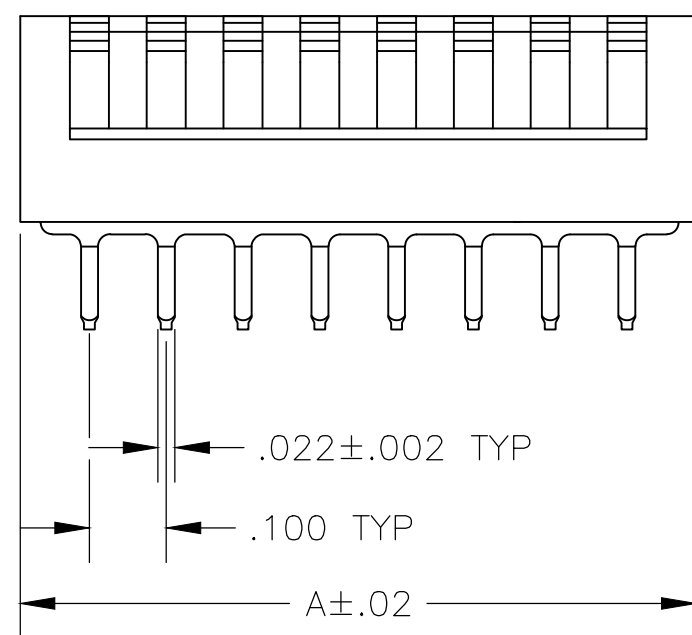
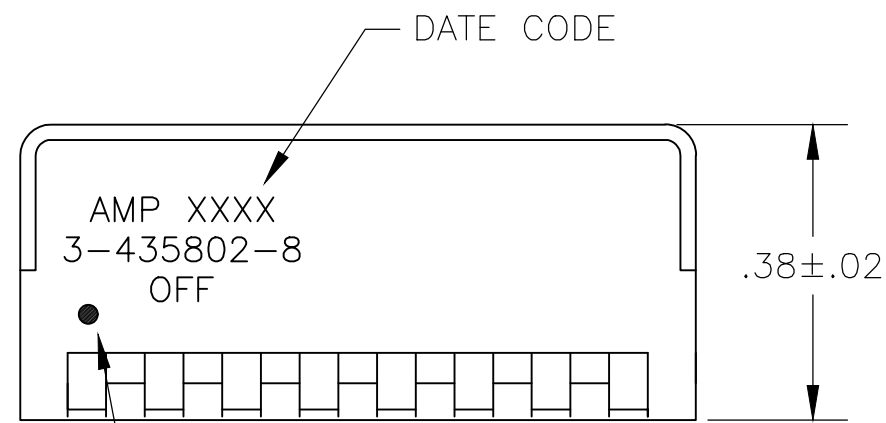
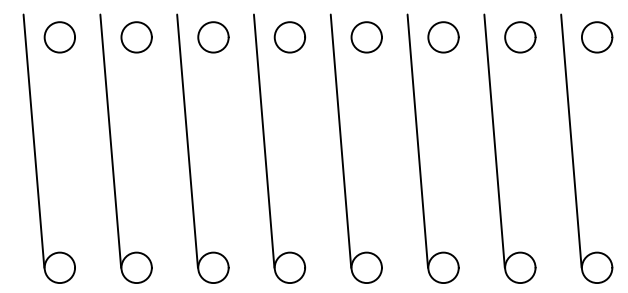


FIG 1



CONTACT ARRANGEMENT

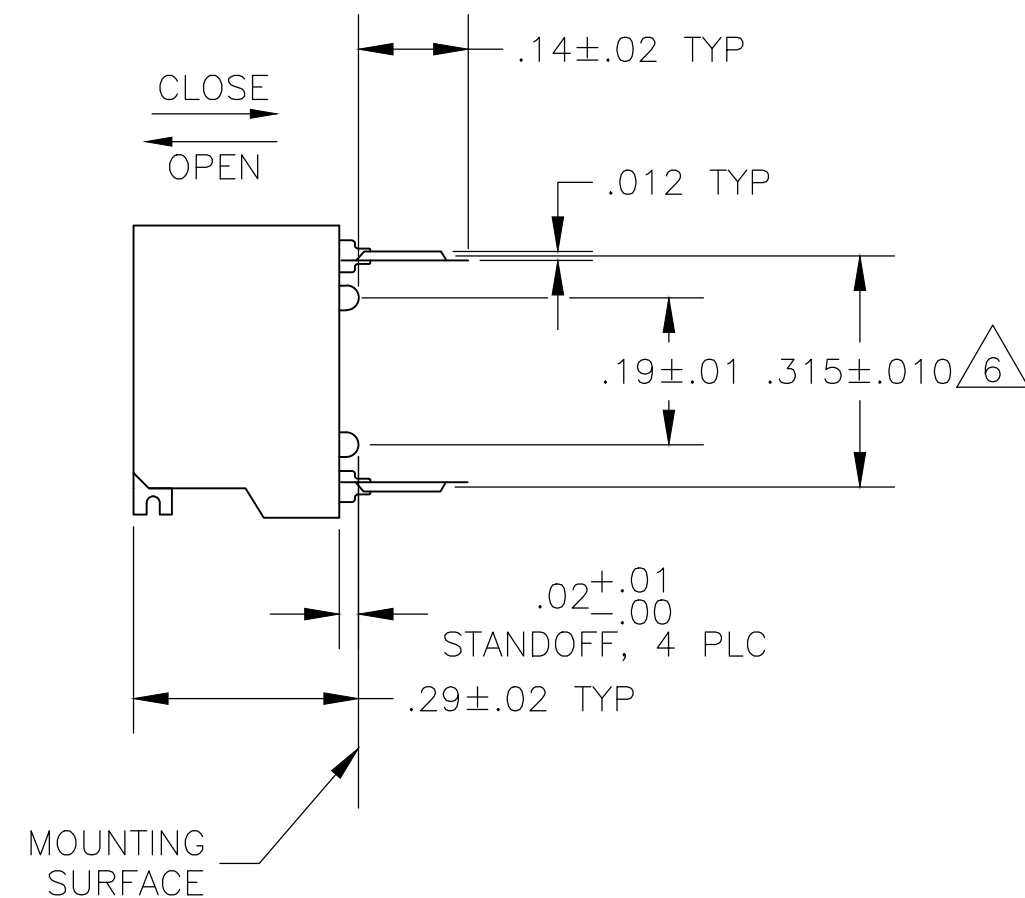


FIG 2

- 7 NO POSITION MARKING.
- 8 NO PART NO. MARKING.
- 9 STRIPPABLE TAPE SEAL, SEE FIGURE 8.
- 10 OBSOLETE PARTS: OBSOLETE CIS STREAMLINING PER D.RENAUD/D.SINISI
- 11 MARKS WILL BE ADDED BY LASER MARK PROCESS.

- 1 FOR ADDITIONAL SPECIFICATIONS SEE AMP PRODUCT SPEC 108-7519.
- 2 SWITCH SHOWN IN OPEN POSITION.
- 3 ALL CHARACTERS AND ROCKERS ARE WHITE, HOUSING IS BLACK.
- 4 LASER MARKING WILL VARY ON 2 AND 3 POSITION TOPS DUE TO SPACE RESTRICTIONS.
- 5 STRIPPABLE TRANSPARENT SEAL, SEE FIG 6.
- 6 .315 DIMENSION APPLIES AT TERMINAL TIPS. TERMINALS ARE .300+010/-000 AT MOUNTING SURFACE.

FIG	FIG 3A& 7					
FIG 2	FIG 3A& 7	-	1.08	10	6-435802-3	
FIG 1	FIG 3B	9	.88	8	3-435802-8	
SUPSD BY 1-435802-6	FIG 2	7 8	.58	5	3-435802-1	
10 OBSOLETE	FIG 2	7 8	.88	8	3-435802-0	
SUPSD BY 2-5435802-9	FIG 2	7 8	.48	4	2-435802-9	
SUPSD BY 1-435802-0	FIG 1	7	.28	2	2-435802-8	
OBSOLETE	FIG 1	7	.28	2	2-435802-7	
OBSOLETE	FIG 2	7	1.08	10	2-435802-6	
OBSOLETE	FIG 2	FIG 4	.88	8	2-435802-5	
OBSOLETE	FIG 2	7	.88	8	2-435802-4	
OBSOLETE	FIG 2	FIG 3A& 5	.48	4	2-435802-3	
FIG 2			1.28	12	2-435802-2	
FIG 2			1.18	11	2-435802-1	
FIG 2			1.08	10	2-435802-0	
FIG 2	FIG 3A	5	.98	9	1-435802-9	
FIG 2			.78	7	1-435802-8	
FIG 2			.68	6	1-435802-7	
FIG 2			.58	5	1-435802-6	
FIG 2			.48	4	1-435802-5	
SUPSD BY 435802-2	FIG 2		.38	3	1-435802-4	
SUPSD BY 3-1437590-2	FIG 1	FIG 3B	.28	2	1-435802-3	
10 OBSOLETE	FIG 2		1.28	12	1-435802-2	
FIG 1	FIG 3B		.28	2	1-435802-0	
FIG 2		5	.88	8	435802-9	
FIG 2			1.08	10	435802-8	
10 SUPSD BY 5435802-7	FIG 2	FIG 3A	.98	9	435802-7	
FIG 2			.78	7	435802-6	
FIG 2			.68	6	435802-5	
FIG 2			.58	5	435802-4	
FIG 2			.48	4	435802-3	
FIG 2	FIG 3A		.38	3	435802-2	
FIG 2	FIG 3A		.88	8	435802-1	
HOUSING	MARKING	PROTECTIVE SEAL	A	NO OF POSN	PART NO.	

435802-1 SHOWN

THIS DRAWING IS A CONTROLLED DOCUMENT.

DIMENSIONS: INCHES	TOLERANCES UNLESS OTHERWISE SPECIFIED:	DWN R. TALLEY 9-19-89	TE Connectivity Ltd.
		CHK R. MILLER 9-19-89	
		APVD H. LEITER 9-19-89	
		PRODUCT SPEC	NAME
		APPLICATION SPEC	SWITCH ASSY, DIP, TYPE C, 7000 SERIES, SPST, SIDE ACTUATED
MATERIAL HOUSING & ROCKERS: POLYESTER CONTACTS: BERYLLIUM COPPER	FINISH CONTACTS: PLATED .000030 MIN GOLD IN CONTACT AREA OVER .000050 MIN NICKEL	WEIGHT -	SIZE A2 CAGE CODE 00779 DRAWING NO C=435802 RESTRICTED TO -
CUSTOMER DRAWING		SCALE 4:1	SHEET 1 OF 2 REV AM

REVISIONS					
P	LTR	DESCRIPTION	DATE	DWN	APVD
-	-	SEE SHEET 1	-	-	-

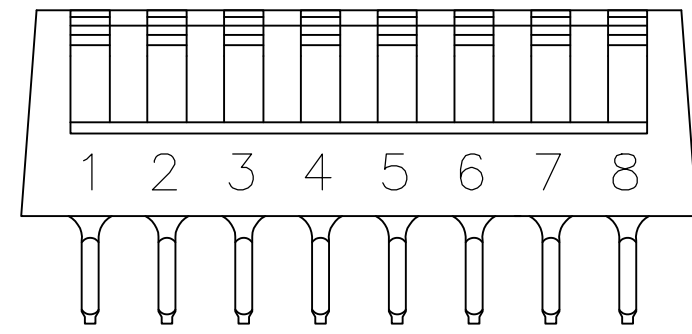


FIG 3A

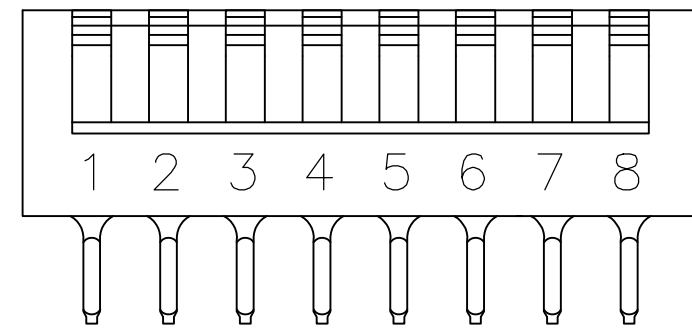


FIG 3B

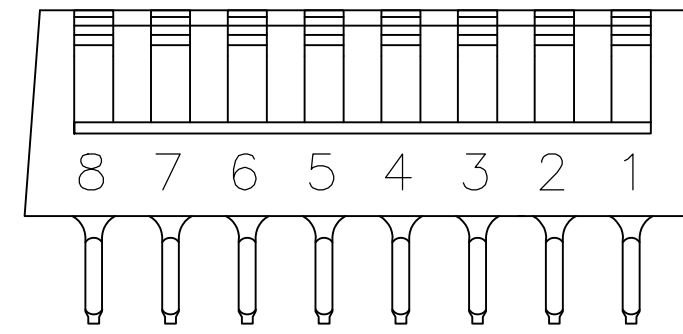


FIG 4

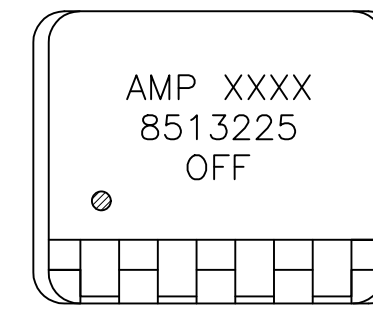
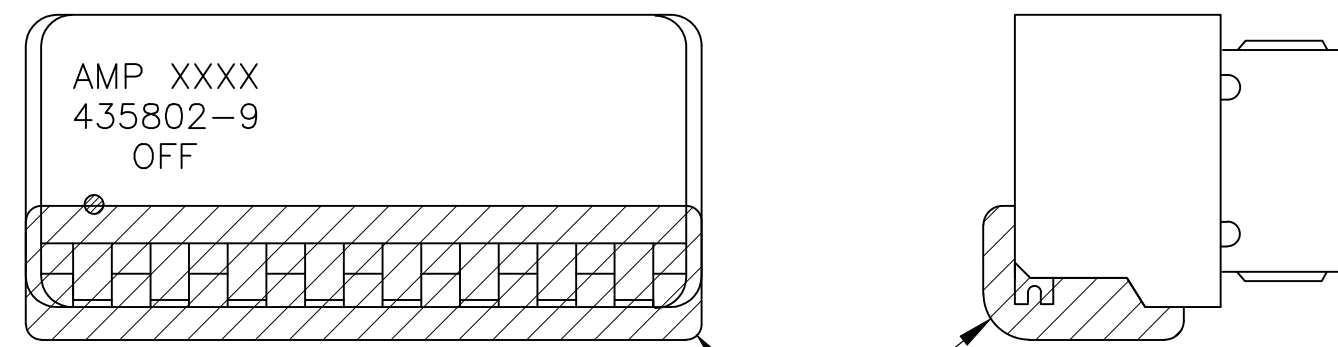
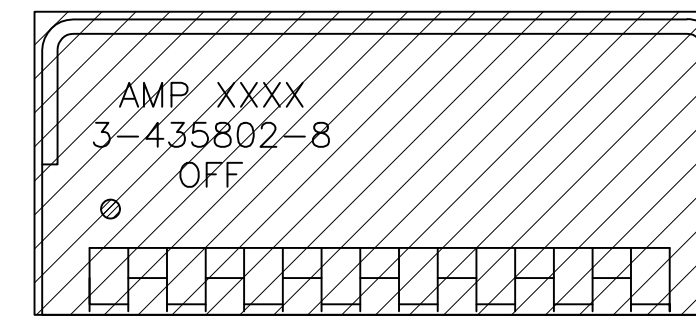


FIG 5



PROTECTIVE SEAL
FIG 6



PROTECTIVE SEAL

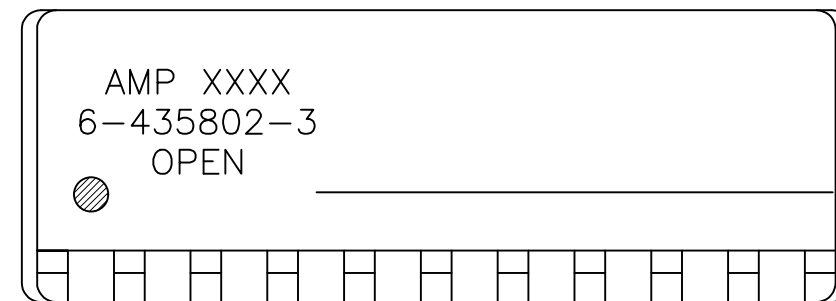


FIG 7

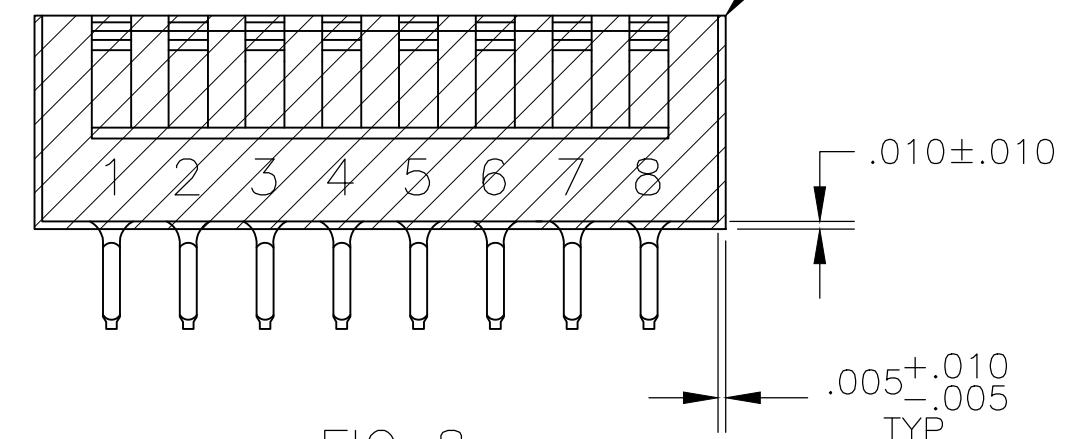


FIG 8

THIS DRAWING IS A CONTROLLED DOCUMENT.		DWN R. TALLEY 9-19-89	TE Connectivity Ltd.	
DIMENSIONS: INCHES		CHK R. MILLER 9-19-89		
TOLERANCES UNLESS OTHERWISE SPECIFIED:		APVD H. LEITER 9-19-89	NAME SWITCH ASSY, DIP, TYPE C, 7000 SERIES, SPST, SIDE ACTUATED	
		PRODUCT SPEC	SIZE A2	CAGE CODE 00779
MATERIAL SEE SHEET 1		APPLICATION SPEC	DRAWING NO C=435802	RESTRICTED TO -
FINISH SEE SHEET 1		WEIGHT -	SCALE 4:1	SHEET 2 OF 2
CUSTOMER DRAWING			REV AM	

X-ON Electronics

Largest Supplier of Electrical and Electronic Components

Click to view similar products for [DIP Switches/SIP Switches](#) category:

Click to view products by [TE Connectivity](#) manufacturer:

Other Similar products are found below :

[78M03S](#) [79B10T](#) [8136-475G4T](#) [G7G-1A2-CB-DC12](#) [H7CZL8AC100240](#) [A7SS-M](#) [A8CA-201](#) [DRR60016](#) [DRS4016](#) [1825008-1](#) [1825444-1](#) [25.350.0653.0](#) [SDA10H1BDA](#) [97R06ST](#) [A2C-2A5](#) [1825444-7](#) [ADE08SA04](#) [ADE12S04](#) [192960010](#) [2-1825058-8](#) [25.330.0653.1](#) [25.352.0353.0](#) [CXDRIVEV2X](#) [IKN0600000](#) [IKN0800000](#) [LA2-002-DC24](#) [DBS1003](#) [438872000](#) [DRD10CRAE04](#) [DSR02T](#) [DSS 208 N](#) [E2FMX2D1M1TGJ03M](#) [NDI10H](#) [219-9MSTP](#) [204-6ES](#) [EPM02FV](#) [701521596](#) [NDS08V](#) [76SB05](#) [79A10](#) [TD06H0SK1](#) [Z7.255.9027.0](#) [1-1825058-3](#) [1825428-4](#) [219-10LPSTF](#) [E3ZG6111D03M](#) [G4D212PUSTV2DC5](#) [195-7MSTN](#) [NDI05H](#) [EPG301BT06](#)