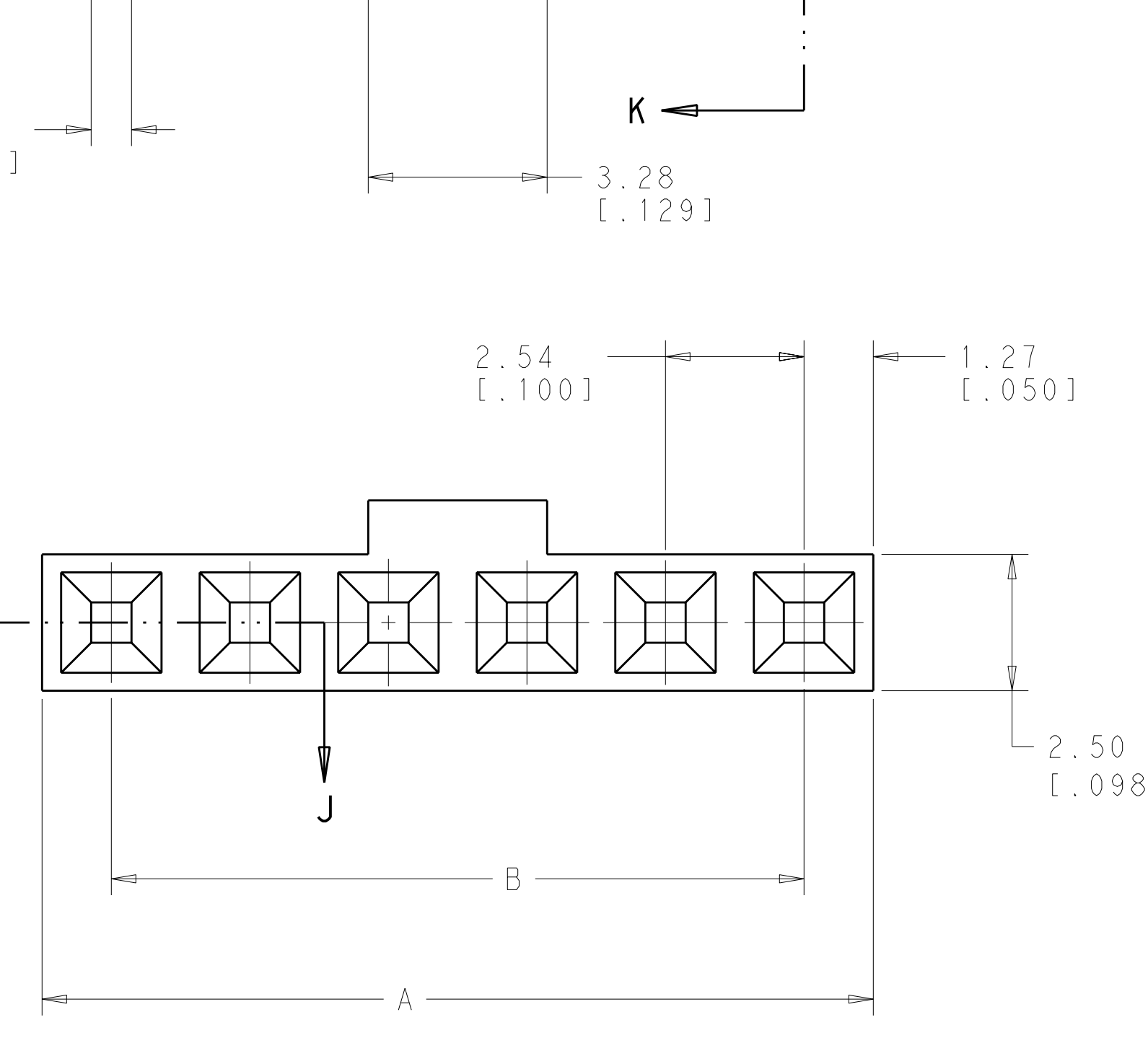
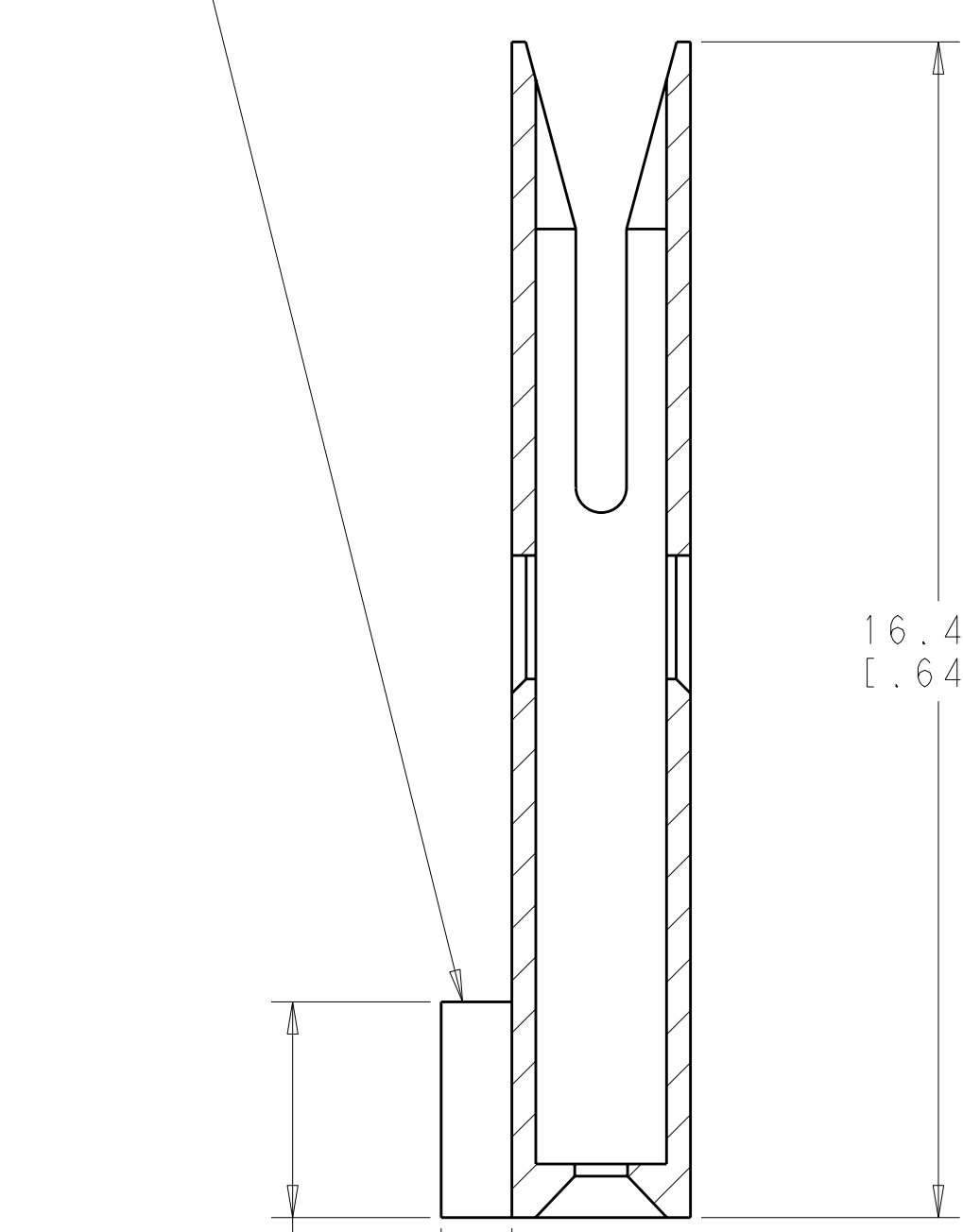
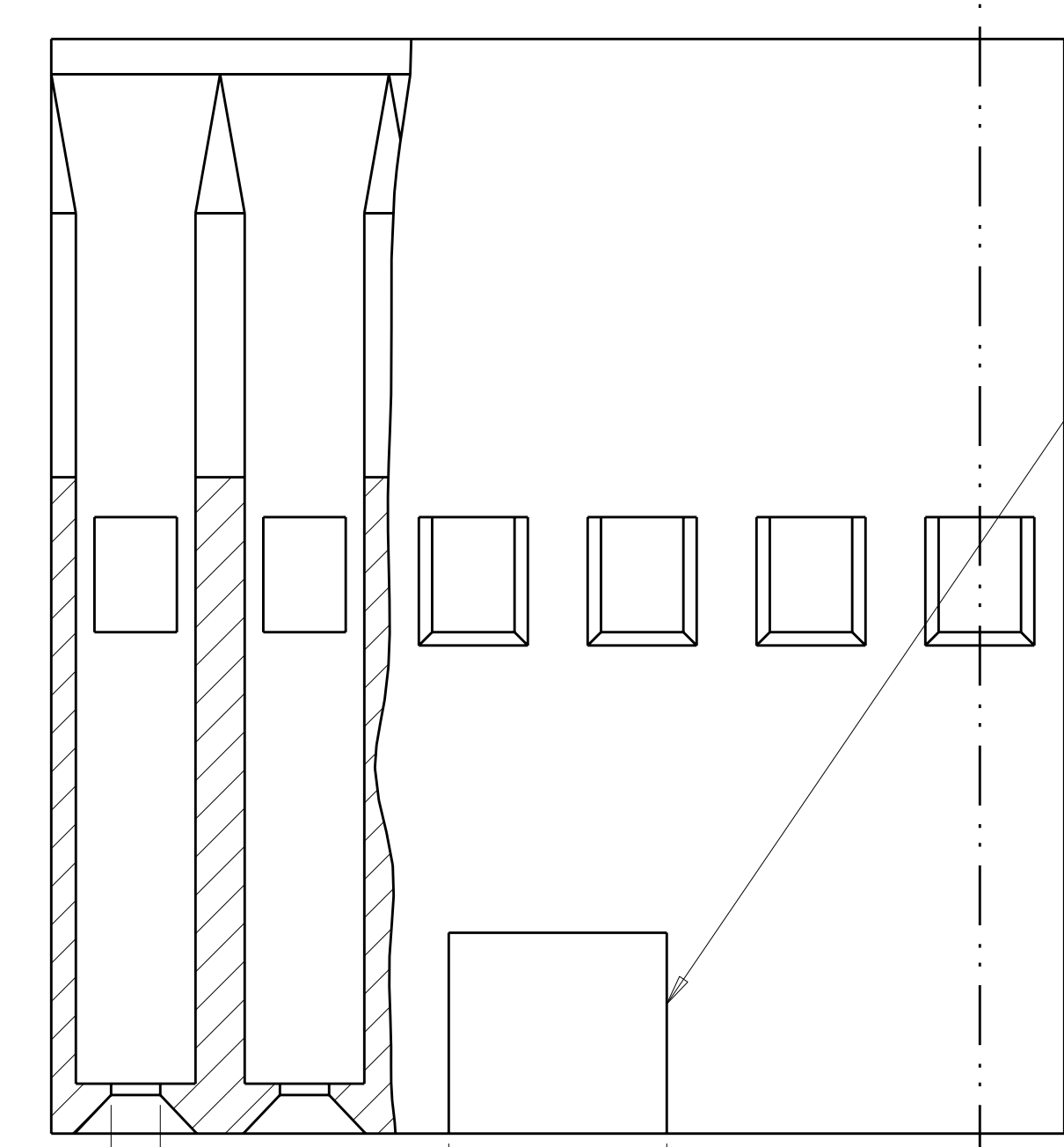


LOC	DIST	REVISIONS					
GP	00	P	LTB	DESCRIPTION	DATE	DWN	APVD
		F		REDRAWN PER ECO-10-006839	01APR2010	CJV	CWR
		G		REVISED PER ECO-10-011726	16JUN2010	CJV	CWR

SECTION J-J



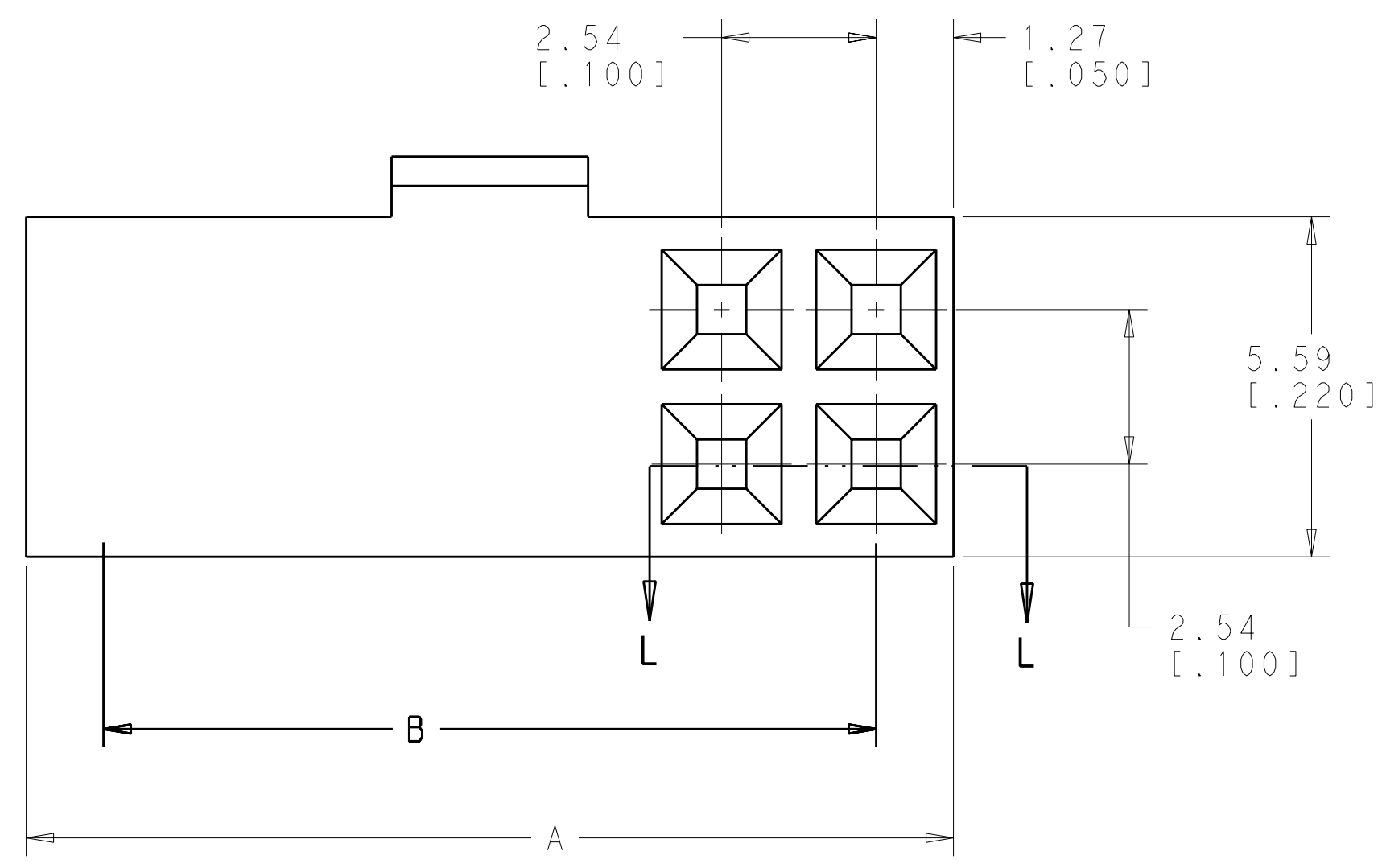
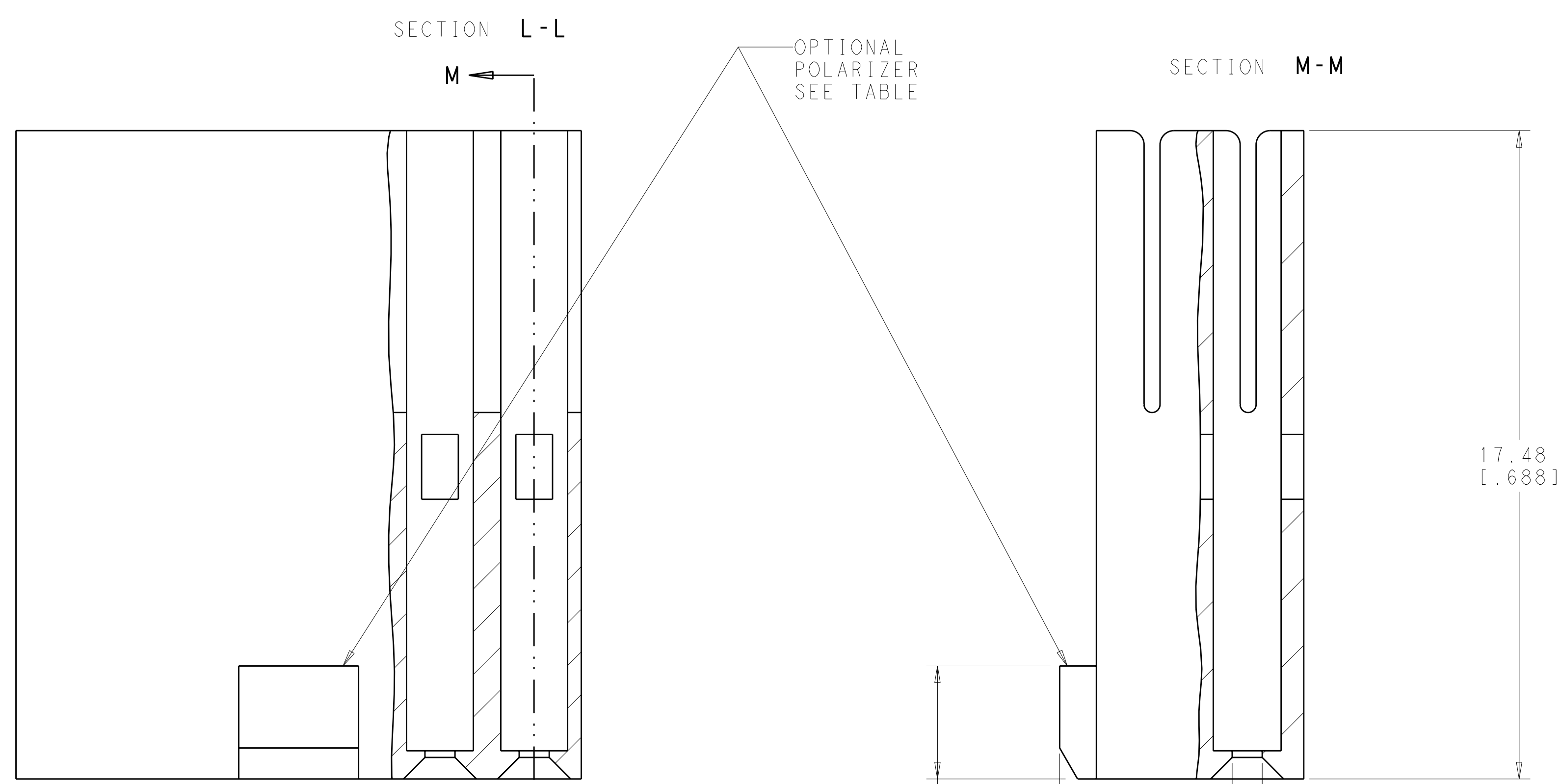
△ POLYAMIDE, UL94-V0, BLUE.
 △ OBSOLETE PARTS: OBSOLETE CIS STREAMLINING PER D. RENAUD/D. SINISI.

	66.04[2.600]	68.58[2.700]	YES	27	FP-2700SP	5-1437251-9
	66.04[2.600]	68.58[2.700]	NO	27	FP-2700S	5-1437251-8
	63.50[2.500]	66.04[2.600]	YES	26	FP-2600SP	5-1437251-4
OBSOLETE	63.50[2.500]	66.04[2.600]	NO	26	FP-2600S	5-1437251-3
	60.96[2.400]	63.50[2.500]	YES	25	FP-2500SP	4-1437251-6
OBSOLETE	60.96[2.400]	63.50[2.500]	NO	25	FP-2500S	4-1437251-5
	58.42[2.300]	60.96[2.400]	YES	24	FP-2400SP	4-1437251-1
	58.42[2.300]	60.96[2.400]	NO	24	FP-2400S	4-1437251-0
	55.88[2.200]	58.42[2.300]	YES	23	FP-2300SP	3-1437251-3
	55.88[2.200]	58.42[2.300]	NO	23	FP-2300S	3-1437251-2
	53.34[2.100]	55.88[2.200]	YES	22	FP-2200SP	2-1437251-7
OBSOLETE	53.34[2.100]	55.88[2.200]	NO	22	FP-2200S	2-1437251-6
	50.80[2.000]	53.34[2.100]	YES	21	FP-2100SP	2-1437251-1
OBSOLETE	50.80[2.000]	53.34[2.100]	NO	21	FP-2100S	2-1437251-0
	48.26[1.900]	50.80[2.000]	YES	20	FP-2000SP	1-1437251-6
	48.26[1.900]	50.80[2.000]	NO	20	FP-2000S	1-1437251-5
	45.72[1.800]	48.26[1.900]	YES	19	FP-1900SP	1437251-9
	45.72[1.800]	48.26[1.900]	NO	19	FP-1900S	1437251-8
OBSOLETE	43.18[1.700]	45.72[1.800]	YES	18	FP-1800SP	1437251-4
	43.18[1.700]	45.72[1.800]	NO	18	FP-1800S	1437251-3
	40.64[1.600]	43.18[1.700]	YES	17	FP-1700SP	9-1437250-5
OBSOLETE	40.64[1.600]	43.18[1.700]	NO	17	FP-1700S	9-1437250-4
	38.10[1.500]	40.64[1.600]	YES	16	FP-1600SP	9-1437250-0
OBSOLETE	38.10[1.500]	40.64[1.600]	NO	16	FP-1600S	8-1437250-9
	35.56[1.400]	38.10[1.500]	YES	15	FP-1500SP	8-1437250-2
OBSOLETE	35.56[1.400]	38.10[1.500]	NO	15	FP-1500S	8-1437250-1
	33.02[1.300]	35.56[1.400]	YES	14	FP-1400SP	7-1437250-7
	33.02[1.300]	35.56[1.400]	NO	14	FP-1400S	7-1437250-6
	30.48[1.200]	33.02[1.300]	YES	13	FP-1300SP	6-1437250-9
OBSOLETE	30.48[1.200]	33.02[1.300]	NO	13	FP-1300S	6-1437250-8
	27.94[1.100]	30.48[1.200]	YES	12	FP-1200SP	6-1437250-4
	27.94[1.100]	30.48[1.200]	NO	12	FP-1200S	6-1437250-3
	25.40[1.000]	27.94[1.100]	YES	11	FP-1100SP	5-1437250-6
OBSOLETE	25.40[1.000]	27.94[1.100]	NO	11	FP-1100S	5-1437250-5
OBSOLETE	22.86[0.900]	25.40[1.000]	YES	10	FP-1000SP	5-1437250-1
	22.86[0.900]	25.40[1.000]	NO	10	FP-1000S	5-1437250-0
	20.32[0.800]	22.86[0.900]	YES	9	FP-0900SP	4-1437250-4
OBSOLETE	20.32[0.800]	22.86[0.900]	NO	9	FP-0900S	4-1437250-3
	17.78[0.700]	20.32[0.800]	YES	8	FP-0800SP	3-1437250-9
OBSOLETE	17.78[0.700]	20.32[0.800]	NO	8	FP-0800S	3-1437250-8
	15.24[0.600]	17.78[0.700]	YES	7	FP-0700SP	3-1437250-1
OBSOLETE	15.24[0.600]	17.78[0.700]	NO	7	FP-0700S	3-1437250-0
	12.70[0.500]	15.24[0.600]	YES	6	FP-0600SP	2-1437250-6
OBSOLETE	12.70[0.500]	15.24[0.600]	NO	6	FP-0600S	2-1437250-5
OBSOLETE	10.16[0.400]	12.70[0.500]	YES	5	FP-0500SP	1-1437250-9
OBSOLETE	10.16[0.400]	12.70[0.500]	NO	5	FP-0500S	1-1437250-8
	7.62[0.300]	10.16[0.400]	YES	4	FP-0400SP	1-1437250-4
OBSOLETE	7.62[0.300]	10.16[0.400]	NO	4	FP-0400S	1-1437250-3
	5.08[0.200]	7.62[0.300]	YES	3	FP-0300SP	1437250-7
OBSOLETE	5.08[0.200]	7.62[0.300]	NO	3	FP-0300S	1437250-6
	2.54[0.100]	5.08[0.200]	YES	2	FP-0200SP	1437250-3
	2.54[0.100]	5.08[0.200]	NO	2	FP-0200S	1437250-2

	78.74[3.100]	81.28[3.200]	YES	32	FP-3200SP	8-1437251-8
OBSOLETE	78.74[3.100]	81.28[3.200]	NO	32	FP-3200S	8-1437251-7
	76.20[3.000]	78.74[3.100]	YES	31	FP-3100SP	8-1437251-1
	76.20[3.000]	78.74[3.100]	NO	31	FP-3100S	8-1437251-0
	73.66[2.900]	76.20[3.000]	YES	30	FP-3000SP	7-1437251-7
	73.66[2.900]	76.20[3.000]	NO	30	FP-3000S	7-1437251-6
	71.12[2.800]	73.66[2.900]	YES	29	FP-2900SP	7-1437251-1
	71.12[2.800]	73.66[2.900]	NO	29	FP-2900S	7-1437251-0
	68.58[2.700]	71.12[2.800]	YES	28	FP-2800SP	6-1437251-7
	68.58[2.700]	71.12[2.800]	NO	28	FP-2800S	6-1437251-6
	B	A	POLARIZED	NO. OF POSITIONS	T&B CATALOG NO. (REF)	PART NUMBER

DIMENSIONS: mm [INCH]		TOLERANCES UNLESS OTHERWISE SPECIFIED:		DWN: C. VALENTINE 01APR2010		Tyco Electronics Harrisburg, PA 17105-3608	
9 PLC ±		0.131(.005)		CHK: C. ROHDE 01APR2010		NAME: FLEXPAC SYSTEM SOCKET HOUSING	
5 PLC ±				APVD: C. ROHDE 01APR2010		PRODUCT SPEC: -	
4 PLC ±						APPLICATION SPEC: -	
ANGLES ±						SIZE: CAGE CODE: DRAWING NO: -	
FINISH: -						RESTRICTED TO: -	
MATERIAL: △				WEIGHT: -		SCALE: 10:1 SHEET 1 OF 2 REV G	
				CUSTOMER DRAWING		A100779C=1437250-2	

LOC	DIST	REVISIONS					
GP	00	P	LTB	DESCRIPTION	DATE	DWN	APVD
		-	-	SEE SHEET 1	-	-	-



76.20 (3.000)	78.74 (3.100)	NO	62	FP-6200DM	6-1437252-8
76.20 (3.000)	78.74 (3.100)	YES	62	FP-6200DPM	3-1437252-1
71.12 (2.800)	73.66 (2.900)	YES	58	FP-5800DPM	2-1437252-6
71.12 (2.800)	73.66 (2.900)	NO	58	FP-5800DM	2-1437252-4
68.58 (2.700)	71.12 (2.800)	YES	56	FP-5600DPM	2-1437252-2
66.04 (2.600)	68.58 (2.700)	YES	54	FP-5400DPM	1-1437252-9
63.50 (2.500)	66.04 (2.600)	YES	52	FP-5200DPM	1-1437252-6
55.88 (2.200)	58.42 (2.300)	YES	46	FP-4600DPM	1437252-9
45.72 (1.800)	48.26 (1.900)	YES	38	FP-3800DPM	9-1437251-9
45.72 (1.800)	48.26 (1.900)	NO	38	FP-3800DM	9-1437251-7
43.18 (1.700)	45.72 (1.800)	YES	36	FP-3600DPM	6-1437252-9
43.18 (1.700)	45.72 (1.800)	NO	36	FP-3600DM	6-1437252-7
40.64 (1.600)	43.18 (1.700)	YES	34	FP-3400DPM	9-1437251-3
38.10 (1.500)	40.64 (1.600)	YES	32	FP-3200DPM	8-1437251-6
35.56 (1.400)	38.10 (1.500)	NO	30	FP-3000DM	6-1437252-6
35.56 (1.400)	38.10 (1.500)	YES	30	FP-3000DPM	7-1437251-5
33.02 (1.300)	35.56 (1.400)	YES	28	FP-2800DPM	6-1437251-5
33.02 (1.300)	35.56 (1.400)	NO	28	FP-2800DM	6-1437251-3
30.48 (1.200)	33.02 (1.300)	YES	26	FP-2600DPM	5-1437251-2
27.94 (1.100)	30.48 (1.200)	YES	24	FP-2400DPM	3-1437251-9
22.86 (0.900)	25.40 (1.000)	NO	20	FP-2000DM	1-1437251-3
22.86 (0.900)	25.40 (1.000)	YES	20	FP-2000DPM	1437249-6
20.32 (0.800)	22.86 (0.900)	YES	18	FP-1800DPM	1437251-2
17.78 (0.700)	20.32 (0.800)	YES	16	FP-1600DPM	8-1437250-8
15.24 (0.600)	17.78 (0.700)	NO	14	FP-1400DM	7-1437250-4
12.70 (0.500)	15.24 (0.600)	YES	12	FP-1200DPM	6-1437250-2
10.16 (0.400)	12.70 (0.500)	YES	10	FP-1000DPM	1437249-1
7.62 (0.300)	10.16 (0.400)	NO	8	FP-0800DM	3-1437250-6
2.54 (0.100)	5.08 (0.200)	YES	4	FP-0400DPM	1-1437250-2
B	A	POLARIZED	NO. OF POSITIONS	T&B CATALOG NO. (REF)	PART NUMBER

△ OBSOLETE

THIS DRAWING IS UNPUBLISHED. RELEASED FOR PUBLICATION 20 BY TYCO ELECTRONICS CORPORATION, ALL INTERNATIONAL RIGHTS RESERVED.

DWN C. VALENTINE 01APR2010
 CHK C. ROHDE 01APR2010
 APVD C. ROHDE 01APR2010

Tyco Electronics
 Harrisburg, PA 17105-3608

NAME FLEXPAC SYSTEM SOCKET HOUSING

PRODUCT SPEC -
 APPLICATION SPEC -

SIZE CAGE CODE DRAWING NO RESTRICTED TO
 A100779C=1437250-2

WEIGHT -
 MATERIAL -
 FINISH -

CUSTOMER DRAWING SCALE 10:1 SHEET 2 OF 2 REV G

X-ON Electronics

Largest Supplier of Electrical and Electronic Components

Click to view similar products for [FFC & FPC Connectors](#) category:

Click to view products by [TE Connectivity](#) manufacturer:

Other Similar products are found below :

[FPH-1422G](#) [FPH-1602G](#) [K-FC20](#) [FH29B-80S-0.2SHW\(99\)](#) [FPH-2022G](#) [AYF332735](#) [52610-1075](#) [52610-1275](#) [52610-1934](#) [501864-3091-TR225](#) [086222026001800](#) [52610-0675](#) [62684-36210E9ALF](#) [52746-1671-TR250](#) [10051922-2810EHLF](#) [6-520415-9](#) [SFV6R-1STE9HLF](#) [XF3M-2915-1B-R100](#) [1658549-1](#) [AYF534065TA](#) [AYF351525](#) [086212040340800+](#) [AYF530365TA](#) [67000-014LF](#) [67000-004LF](#) [006207341915000+](#) [DS1020-19RT1D](#) [67000-003LF](#) [67000-011LF](#) [67000-016LF](#) [HFW14R-2STE9LF](#) [SFV32R-2STBE9HLF](#) [SFW12R-5STE9LF](#) [SFW18R-1STAE9LF](#) [SFW4R-5STE9LF](#) [52807-0430](#) [046283021002868+](#) [THD1015-8CL-SN](#) [67000-006LF](#) [502250-8027](#) [104267-9617](#) [66987-011LF](#) [AYF362535](#) [F0501-T-50-20T-R](#) [F1003-ZV-12-25T-R](#) [HFW8S-2STAE1HLF](#) [67000-008LF](#) [67000-012LF](#) [F1002-B-20-20T-R](#) [HFW15S-2STAE1HLF](#)