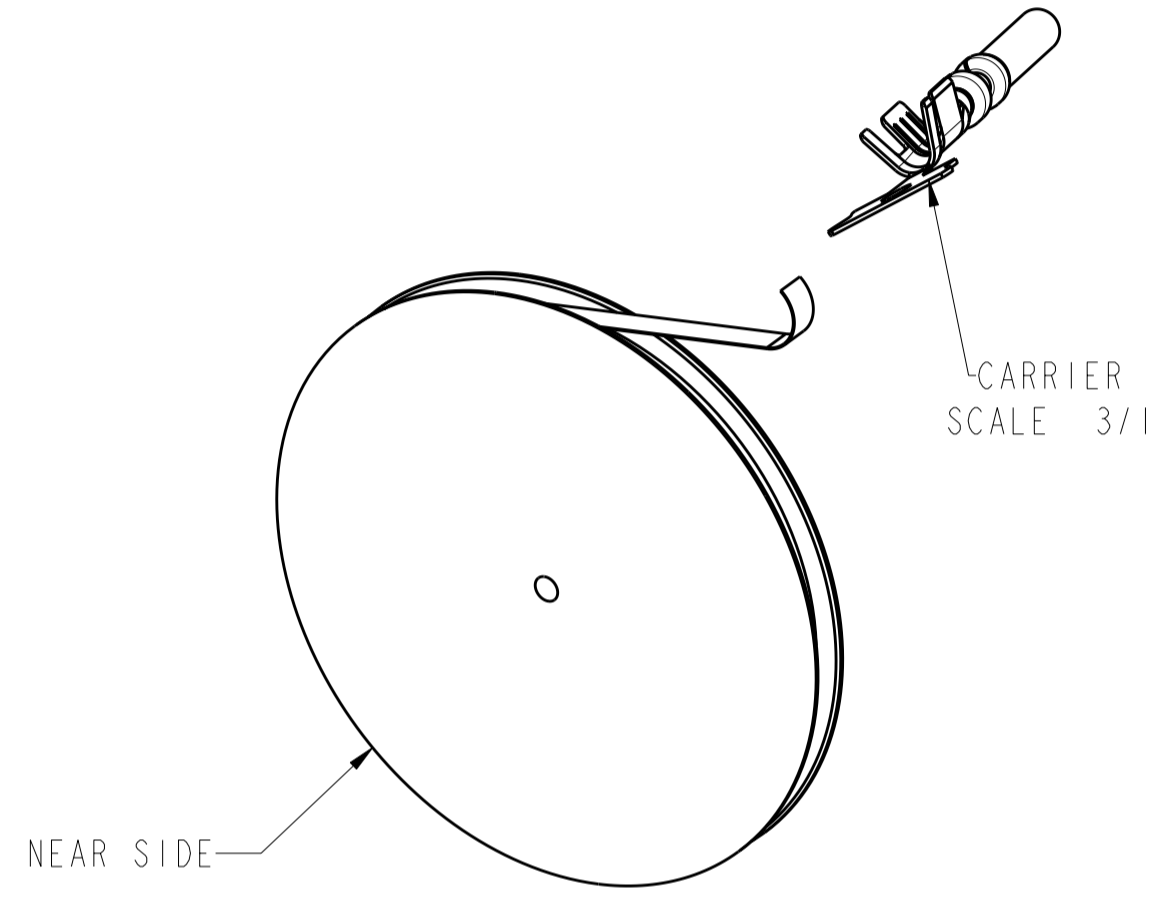
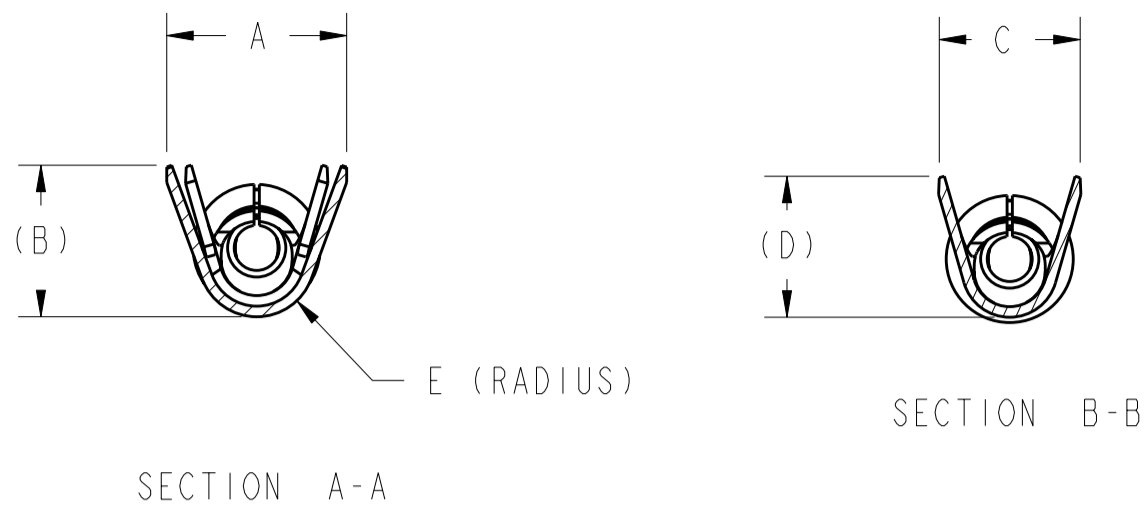
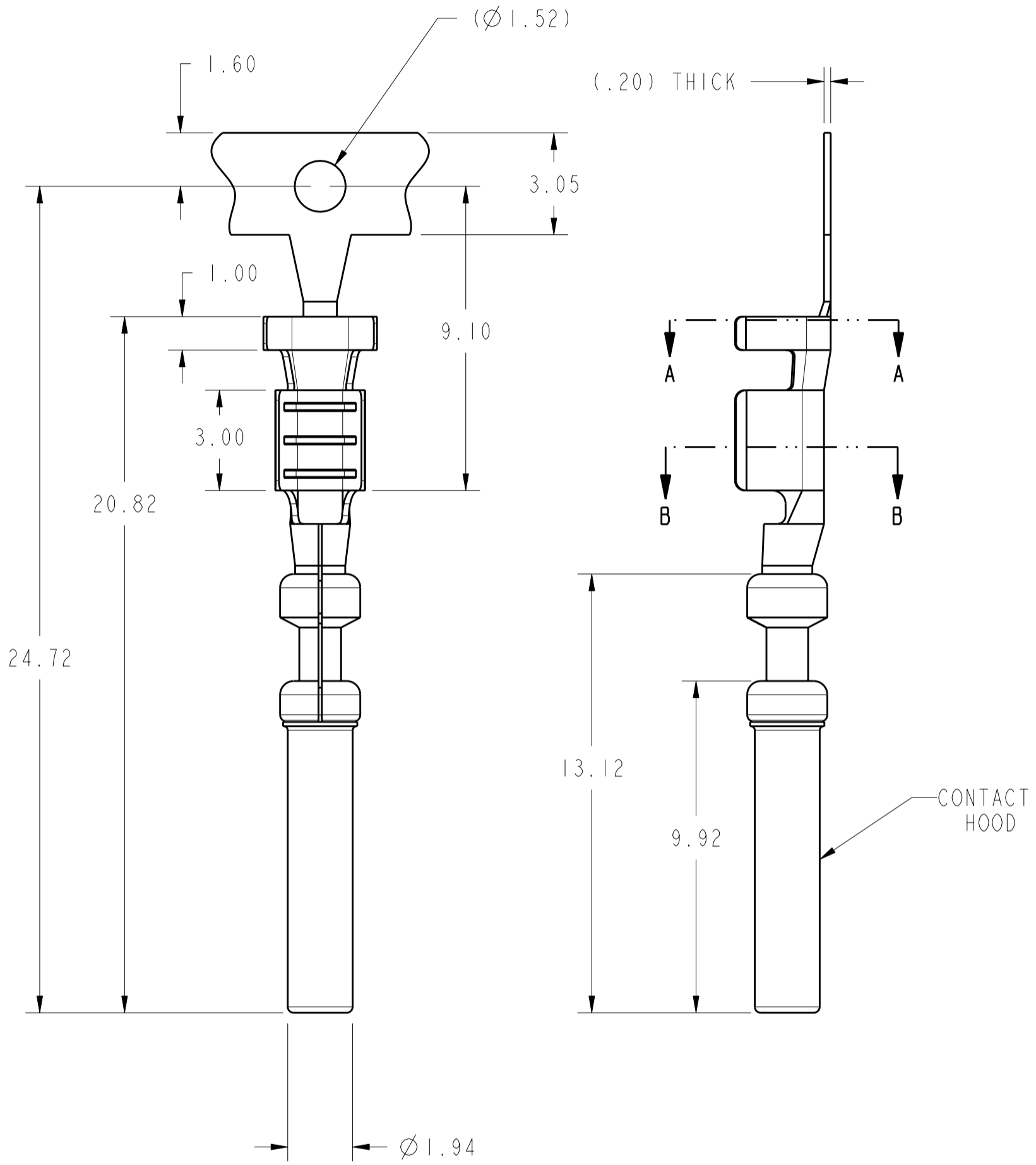


THIS DRAWING IS UNPUBLISHED. RELEASED FOR PUBLICATION 20  
 © COPYRIGHT 20 ALL RIGHTS RESERVED.

LOC		DIST		REVISIONS			
P	LTR	DESCRIPTION	DATE	DWN	APVD		
	CI	REVISED PER ECO-11-005030	30APR2011	RK	HMR		



PARTS ARE REELED WITH SADDLES POINTING OUT AND THE CARRIER ON THE NEAR SIDE. CONTACTS ARE TO HAVE A SULFUR FREE PAPER BETWEEN COILS. THERE ARE 7000 TERMINALS PER REEL. THE TERMINALS ARE ON A 8.0 MM SPACING.



- NOTE(S):
- BASE MATERIALS:  
CONTACT - HIGH CONDUCTIVITY COPPER ALLOY.  
HOOD - STAINLESS STEEL.
  - PLATING:  
CONTACT - NICKEL UNDERPLATE, TIN PLATING IN CRIMP AREA.  
GOLD PLATE IN ELECTRICAL ENGAGEMENT AREA.  
HOOD - PASSIVATED OR GOLD PLATED (SEE TABLE).
  - SEE TABLE FOR RECOMMENDED CRIMP SPECIFICATIONS AND APPLICATION TOOLING.

SUGGESTED CRIMP SPECIFICATIONS AND APPLICATION TOOLING				
AWG WIRE SIZE	20	18	16	14
RECOMMENDED INSULATION DIAMETER RANGE (MIN/MAX)	1.77 / 2.46	1.77 / 2.46	2.18 / 2.92	2.18 / 2.92
RECOMMENDED CONDUCTOR CRIMP HEIGHT	1.00 ±.05	1.09 ±.05	1.18 ±.05	1.45 ±.05
RECOMMENDED CONDUCTOR CRIMP WIDTH	1.77	1.86	1.94	2.20
STRIP LENGTH	4.20 ± 0.25	4.20 ± 0.25	4.20 ± 0.25	4.20 ± 0.25
TE CONNECTIVITY HAND TOOL PART NUMBER	1456088-1	1456088-1	1456088-1 OR 91367-1	91367-1
MINIMUM CRIMP TENSILE STRENGTH (LBS)	19	24	28	35

1.6	3.00	2.78	2.9	4.10	STAINLESS STEEL	16-14	13002630102	1-1437284-0
1.1	2.64	2.47	3.3	3.40	STAINLESS STEEL	20-18	13002630101	0-1437284-9
E	D	C	B	A	HOOD FINISH	AWG	FORMER T&B PART NUMBER	TE CONNECTIVITY PART NUMBER

THIS DRAWING IS A CONTROLLED DOCUMENT.

DWN: J. REMOLL 08-15-01  
 CHK: J. REMOLL 08-15-01  
 APVD: J. REMOLL 08-15-01

**STE** TE Connectivity

NAME: AUTOMOTIVE SOCKET CONTACT  
 20 - 14 AWG WIRE  
 (1mm SYSTEM)

SIZE: A2 CAGE CODE: 00779 DRAWING NO: 1456216 RESTRICTED TO: -

MATERIAL: SEE NOTES

WEIGHT: -

CUSTOMER DRAWING SCALE: 7/11 SHEET: 1 OF 1 REV: CI

## X-ON Electronics

Largest Supplier of Electrical and Electronic Components

*Click to view similar products for [Automotive Connectors](#) category:*

*Click to view products by [TE Connectivity](#) manufacturer:*

Other Similar products are found below :

[003-018-000](#) [60403001](#) [60993906-B](#) [M902-2131](#) [M902-2161](#) [M902-2344](#) [72.330.1035.1](#) [73.353.4028.0](#) [F119300-B](#) [F166900](#) [F258300-B](#)  
[F358300-B](#) [F407400](#) [F444110](#) [F487000](#) [F509500B-B](#) [827153-1](#) [8N1515-32-24P](#) [9-1326729-8](#) [925474-1](#) [928905-1](#) [964562-4](#) [968782-1](#)  
[GT17SA-8DS-HU](#) [98891-1012](#) [98947-1016](#) [12004147](#) [12004475-L](#) [12010290](#) [12015454](#) [12020219-B](#) [12041318-B](#) [12052225-L](#) [12052466](#)  
[12064869](#) [12004327-B](#) [12015308](#) [12015384](#) [12015909](#) [1-21030-1](#) [12041254](#) [12041318](#) [12047946-B](#) [12047957](#) [12047957-L](#) [12059473](#)  
[12066261](#) [12110546](#) [12110546-B](#) [12131792](#)