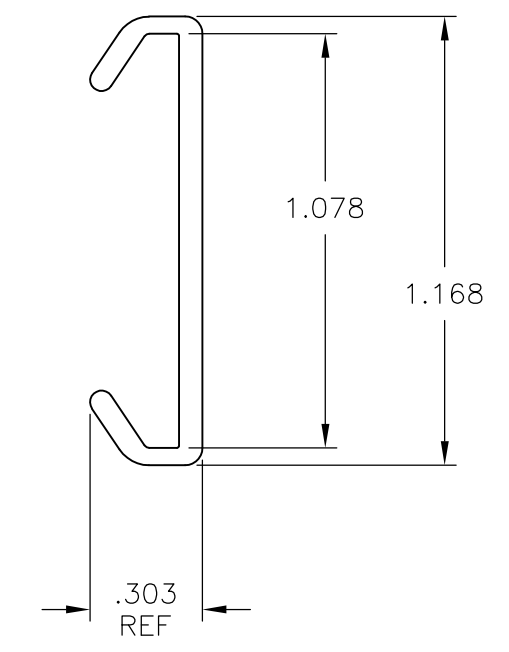
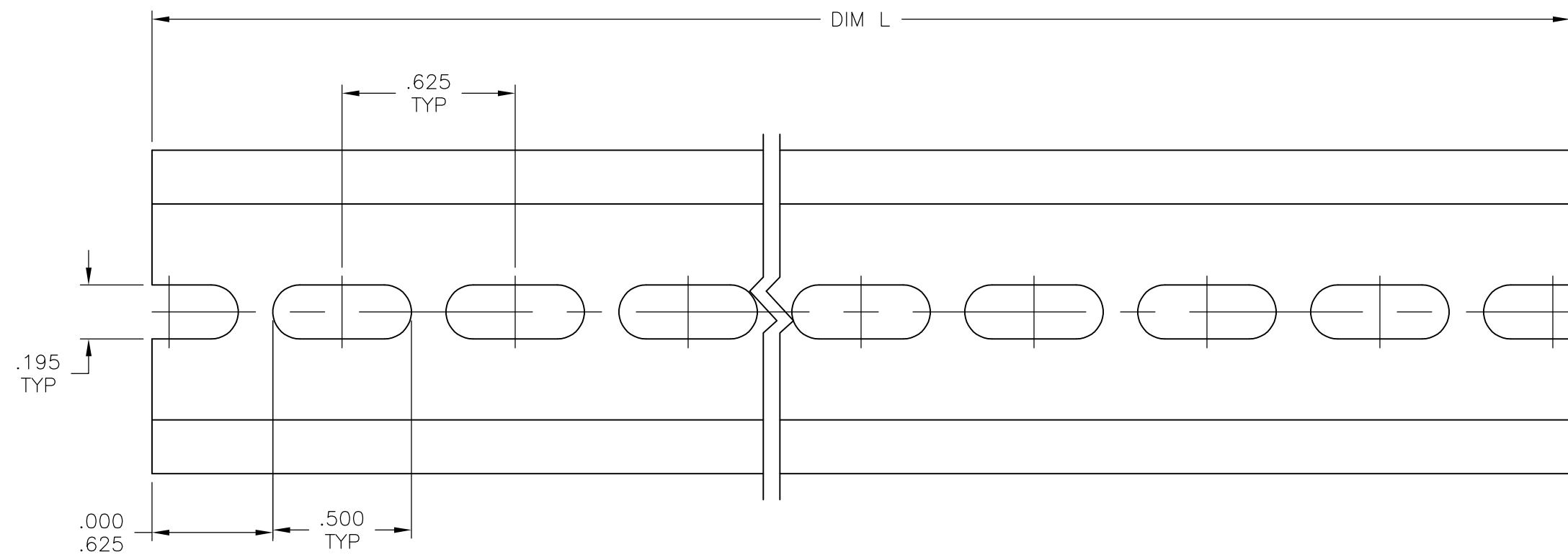


THIS DRAWING IS UNPUBLISHED. RELEASED FOR PUBLICATION  
 © COPYRIGHT - By - ALL RIGHTS RESERVED.

LOC	DIST	REVISIONS					
FT	0	P	LTR	DESCRIPTION	DATE	DWN	APVD
			B	REVISED PER ECO-12-017740	08OCT12	KH	MB

- 1 MATERIAL: ALUMINUM.
- 2 FOR USE WITH DOVETAIL BASE TERMINAL BLOCKS.



36"	PRE-PUNCHED CHANNEL, ALUM, 3FT	67	1437382-2
72"	PRE-PUNCHED CHANNEL, ALUM, 6FT	64	9-1437381-9
DIM L	DESCRIPTION	CATALOG NUMBER	PART NUMBER

THIS DRAWING IS A CONTROLLED DOCUMENT.		DWN	S SCHLEGEL	25JUN03	<b>STE</b> TE Connectivity		
DIMENSIONS: INCHES		CHK	S YODER	6/25/03			
TOLERANCES UNLESS OTHERWISE SPECIFIED:		APVD	S YODER	6/25/03	NAME		
0 PLC ± -		PRODUCT SPEC		CHANNEL EXTRUDED FOR DOVETAIL BLOCKS			
1 PLC ± -		APPLICATION SPEC		-			
2 PLC ± .015		SIZE	A3	CAGE CODE	00779	DRAWING NO	C-9-1437381-9
3 PLC ± .010		WEIGHT		-		RESTRICTED TO	-
4 PLC ± -		CUSTOMER DRAWING					
ANGLES ± -		SCALE	2:1		SHEET	1 OF 1	
FINISH		-		REV	B		
MATERIAL		1					

## X-ON Electronics

Largest Supplier of Electrical and Electronic Components

*Click to view similar products for [Terminal Block Tools & Accessories](#) category:*

*Click to view products by [TE Connectivity](#) manufacturer:*

Other Similar products are found below :

[00171430102](#) [00171420102](#) [600HL](#) [600RJ-07](#) [600RJ-11](#) [600RJ-14](#) [600RJS-10](#) [600RJS-12](#) [600RJS-15](#) [600RJS-21](#) [601RJ-09](#) [602SP](#) [602Z](#)  
[604J](#) [CSTSPC1-2](#) [7B941-7](#) [88943-2100](#) [QC102](#) [1437403-6](#) [1437403-9](#) [1437403-8](#) [1453128-1](#) [147832-1](#) [EC0037-000](#) [MT2/H--](#) [MT6/H-N](#)  
[MT6/V-GRND](#) [BC2-12](#) [BCC-1-8/10](#) [EP2.5/4UN/BG](#) [1707755](#) [1735590](#) [1755480](#) [1789281](#) [1840227](#) [1840230](#) [2-1437402-1](#) [JA2-03](#) [JB1-](#)  
[03/J](#) [JB2-04](#) [JB2-05](#) [JB2-07](#) [JB2-09/J](#) [PARALLELJUMPERLINK](#) [JS601](#) [2204082](#) [2302463](#) [2305949](#) [8PCV-BUSHING](#) [8TK2-24](#)