

THIS DRAWING IS UNPUBLISHED. RELEASED FOR PUBLICATION  
 © COPYRIGHT - TE Connectivity ALL RIGHTS RESERVED.

**SPECIFICATIONS:**

REVISIONS				
P	LTR	DESCRIPTION	DATE	APVD
B1		REVISED PER ECO-17-002272	20JUN2017	SK AS

**MATERIALS:**  
 FRAME: STEEL  
 ACTUATOR: ACETAL  
 INSULATOR: PHENOL, BLUE  
 TERMINAL: COPPER ALLOY, SILVER PLATE  
 SPRING PLATE: COPPER ALLOY  
 COIL SPRING: PIANO WIRE  
 CAM STICK: COPPER ALLOY  
 CLIP: COPPER ALLOY, SILVER CLAD  
 SPRING STOPPER: STEEL  
 CAP: MATERIAL SPECIFICATION PER DRAWING # 11882

**ELECTRICAL:**  
 CONTACT RATING: 1 AMP @ 25 VDC (RESISTIVE LOAD)  
 INITIAL CONTACT RESISTANCE: 100 MILLIOHMS  
 CONTACT RESISTANCE: 300 MILLIOHMS MAX.  
 INSULATION RESISTANCE: 100 MEGOHMS MINIMUM @ 500 VDC  
 DIELECTRIC STRENGTH: 500 VAC FOR 1 MINUTE  
 CONTACT TIMING: NON SHORTING.

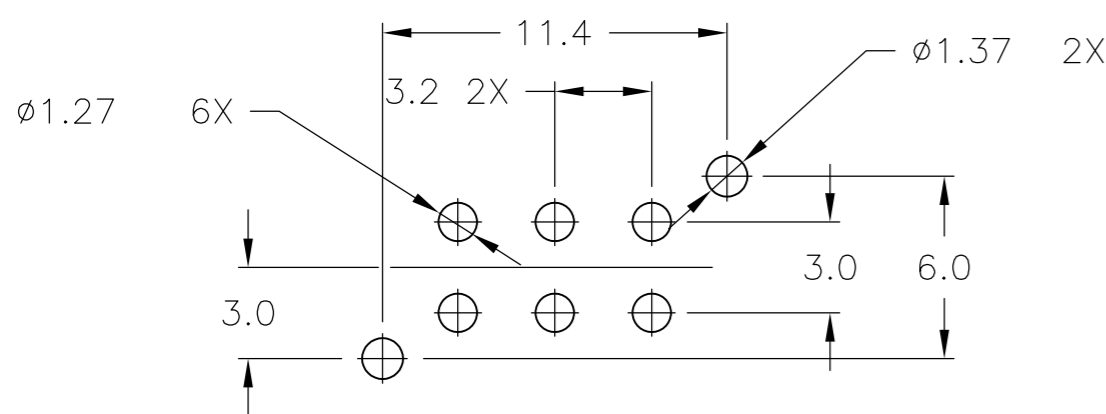
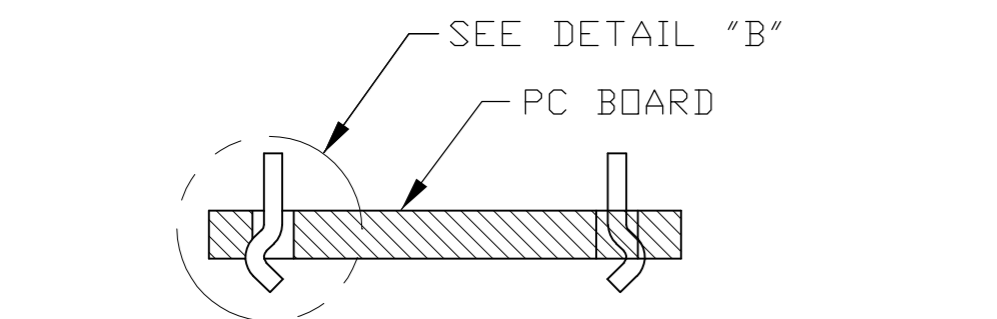
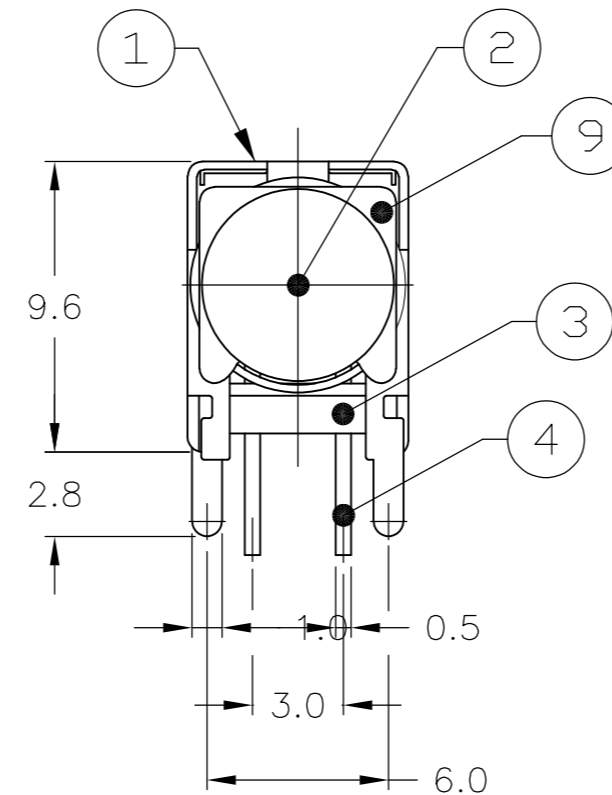
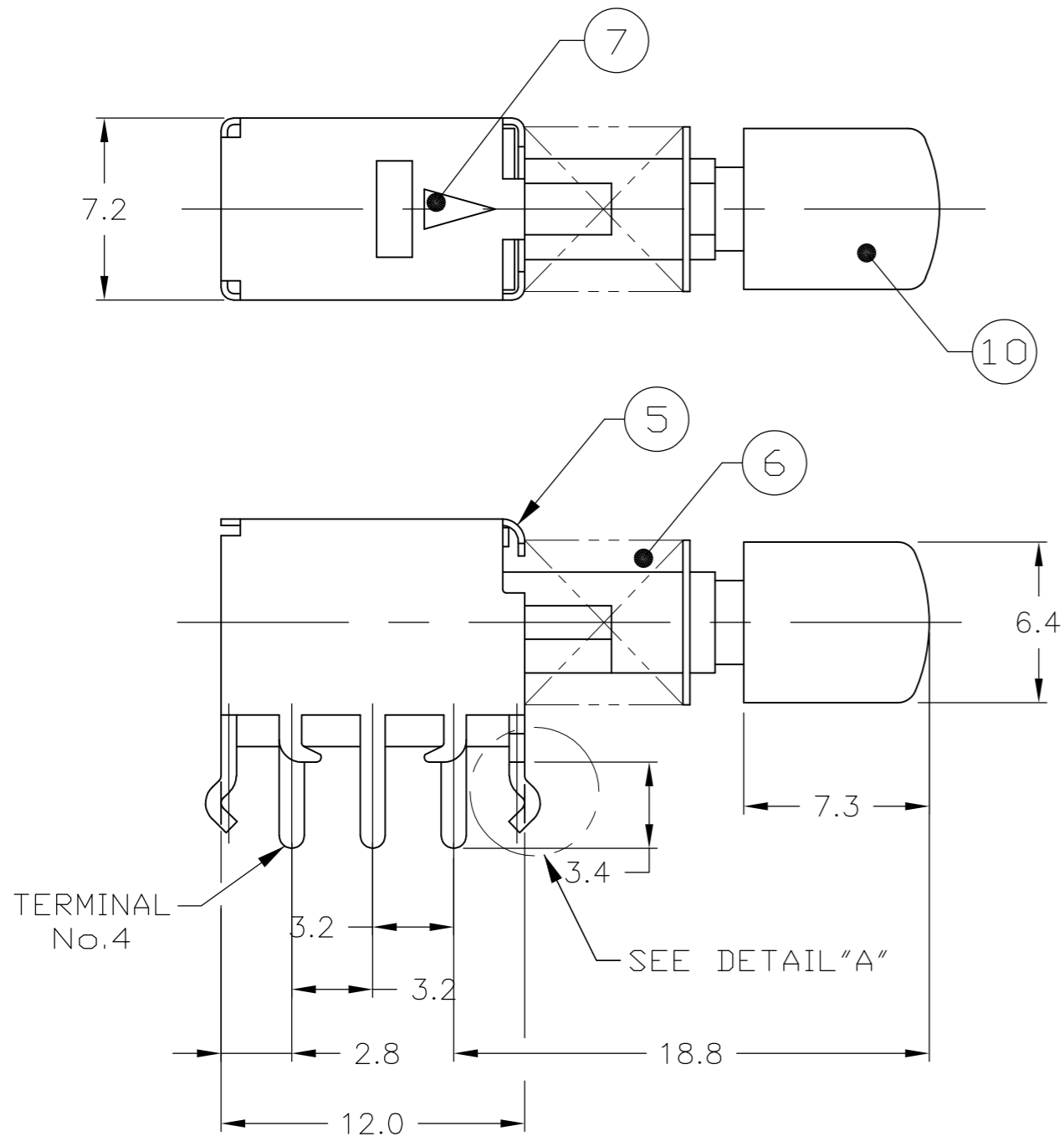
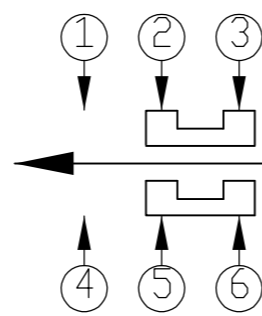
**MECHANICAL:**  
 OPERATING FORCE: 300 ±150 GRAMS  
 ACTUATOR TRAVEL: 2.3 MM (.091")  
 LIFE EXPECTANCY: 10,000 CYCLES

**ENVIRONMENTAL:**  
 OPERATING TEMPERATURE: -30°C TO +85°C (-22°F TO +185°F).

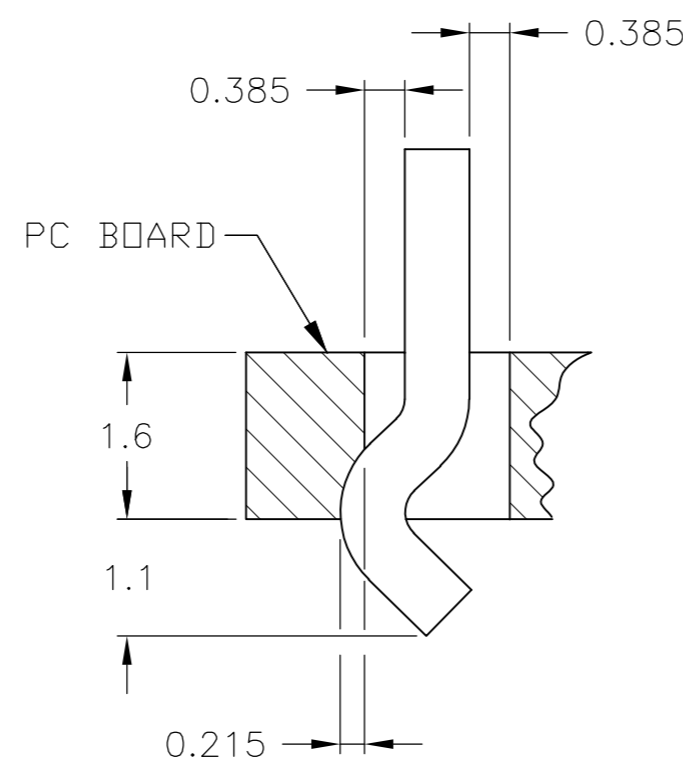
**NOTES: UNLESS OTHERWISE SPECIFIED**

1. INTERPRET DRAWING PER ASME Y14.5M 1994.
2. SEE AIDSHEET 91439F-1 FOR CAP PRESS FIT DETAILS.
3. BAR CODE LABELING: REFER TO AUGAT SPEC.304-09 & 304-10 FOR BAR CODE LABEL REQUIREMENTS.
4. PACKAGING: PLACE 4 BAGS OF 500 SWITCHES EACH IN ONE OUTER BOX. PLACE A CORRUGATED CARDBOARD SHEET IN BETWEEN EACH BAG AND ON TOP AND BOTTOM OF OUTER BOX BEFORE SEALING.
5. CAP SUPPLIED BY THOMAS & BETTS.

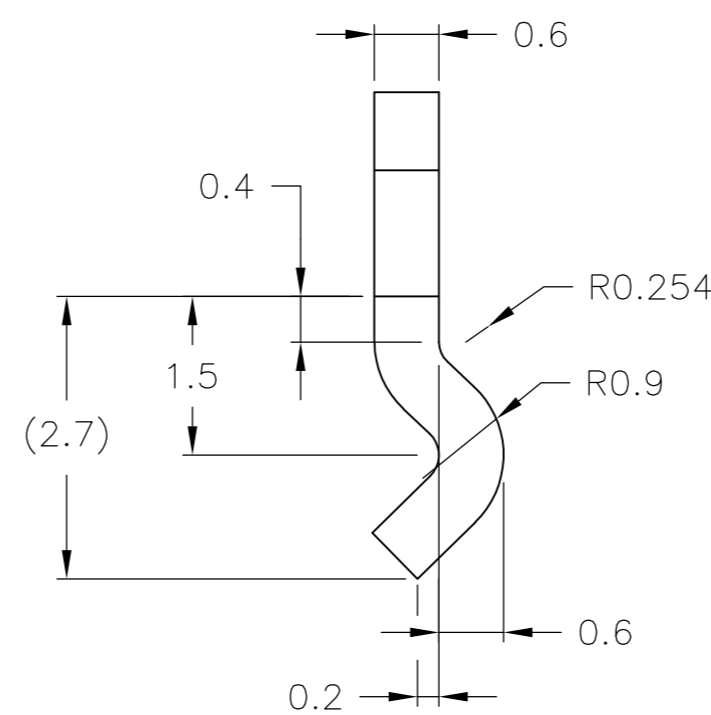
**CIRCUIT DIAGRAM**



**P.C.B. LAYOUT**  
 TOLERANCES ±0,05



**DETAIL B**  
 SCALE 14:1



**DETAIL A**  
 SCALE 14:1  
 TOLERANCE: ±0,08

OBSLOETE

CAP PART NO.	BUTTON COLOR	CUSTOMER PART NO.	AUGAT PART NO.
USR0	BLACK	1.021.163	JLS91439FKBC
USR9	GRAY	1.021.081	JLS91439FK
USR1	WHITE	1.036.0048-00	JLS91439FWC

QTY.	DESCRIPTION	ITEM NO.
10	CAP	10
9	SPRING STOPPER	9
8	CLIP (NOT SHOWN)	8
7	CAM STICK	7
6	COIL SPRING	6
5	SPRING PLATE	5
4	TERMINAL	4
3	INSULATOR	3
2	ACTUATOR	2
1	FRAME	1

THIS DRAWING IS A CONTROLLED DOCUMENT.		DWN M.BINNER 18JAN2006	<b>TE</b> TE Connectivity	
DIMENSIONS: mm		CHK M.ZITTO 18JAN06		
TOLERANCES UNLESS OTHERWISE SPECIFIED:		APVD M.ZITTO 18JAN06	NAME PUSH SWITCH, JLS SERIES	
0 PLC ± -		PRODUCT SPEC	SIZE	
1 PLC ± -		APPLICATION SPEC	CAGE CODE	
2 PLC ± 0.25			DRAWING NO	
3 PLC ± -			RESTRICTED TO	
4 PLC ± -			SCALE	
ANGLES ± .5°			SHEET	
FINISH		WEIGHT 0.000000	REV	
MATERIAL		CUSTOMER DRAWING	B1	

## X-ON Electronics

Largest Supplier of Electrical and Electronic Components

*Click to view similar products for [Pushbutton Switches](#) category:*

*Click to view products by [TE Connectivity](#) manufacturer:*

Other Similar products are found below :

[8940K2012](#) [LW1L-M1C10V-A](#) [LW1L-M1C70-A](#) [LW2L-A1C20M-GD](#) [LW2L-M1C20M-A](#) [60324L](#) [M22-D-R-GB0/K11](#) [M7E-HRN2](#)  
[67021K512](#) [67081K512X](#) [701PB580](#) [7199K101](#) [810K12910](#) [810KSV30B](#) [MML21EA2ADK](#) [MML21KA3ABK](#) [MML23KA3AC05K-001](#)  
[MML23KW3AA01W](#) [8418K2](#) [8442K2](#) [8442K3](#) [8450K1](#) [860K11911T01A](#) [861901](#) [861K11911T01A07](#) [861K13810T00A14](#) [861K13911](#)  
[8646AB6X718UL](#) [8646ABUL](#) [9001KXRK](#) [907AYY100](#) [PMHD155A1](#) [9533CD4+U574+U4922](#) [95-414.000](#) [99-450.837](#) [99-453.837](#)  
[PV3H2B0NN-341](#) [1203MRA](#) [A22NZBGANGA](#) [A22NZBNANGA](#) [A22NZMPATRA](#) [A2PMA1X03EC56](#) [A3A-5123-02](#) [A3A-7140](#) [A3A-7310](#) [A3A-7340](#) [A3U-TMW-A2C-5M](#) [A595](#) [12037A2ULCSA](#) [ABD122N-B](#)