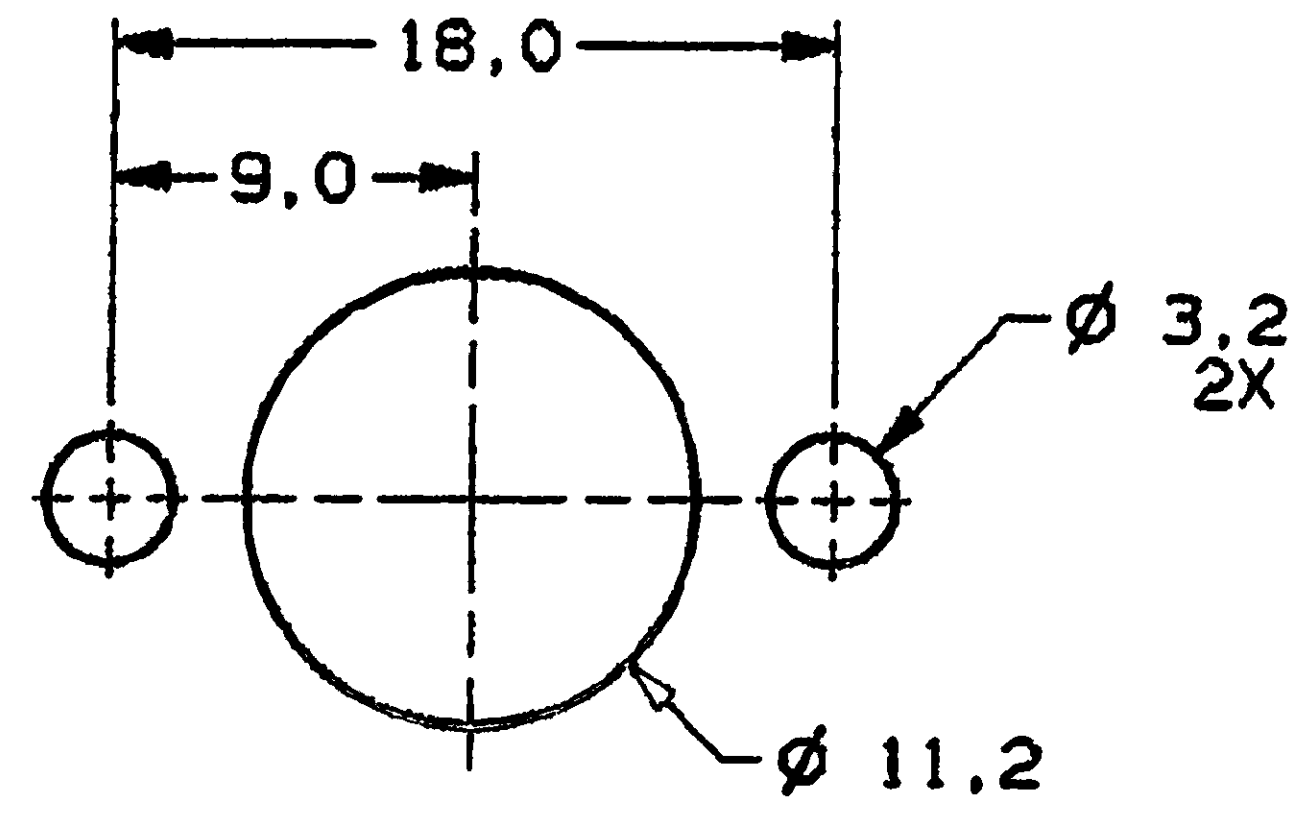
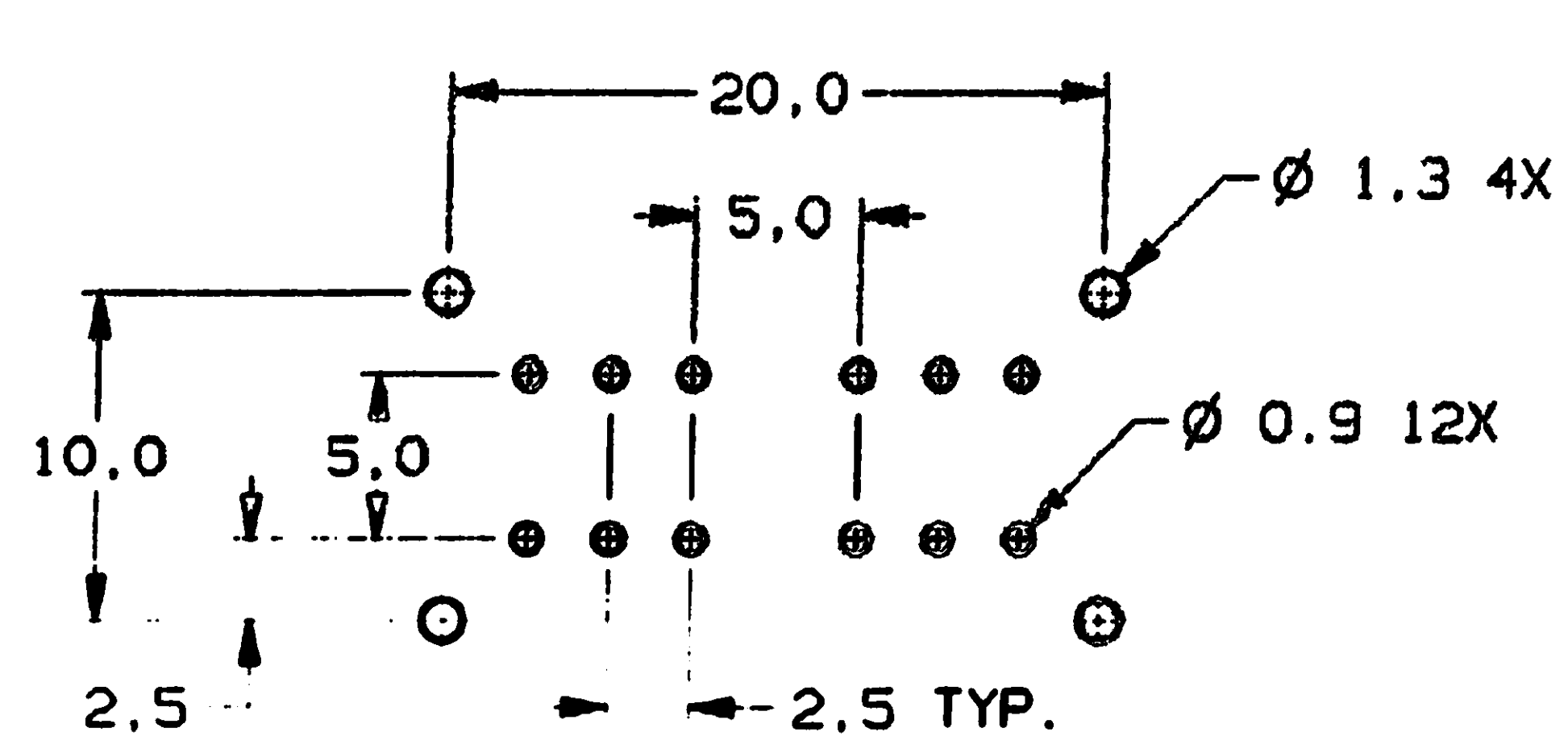
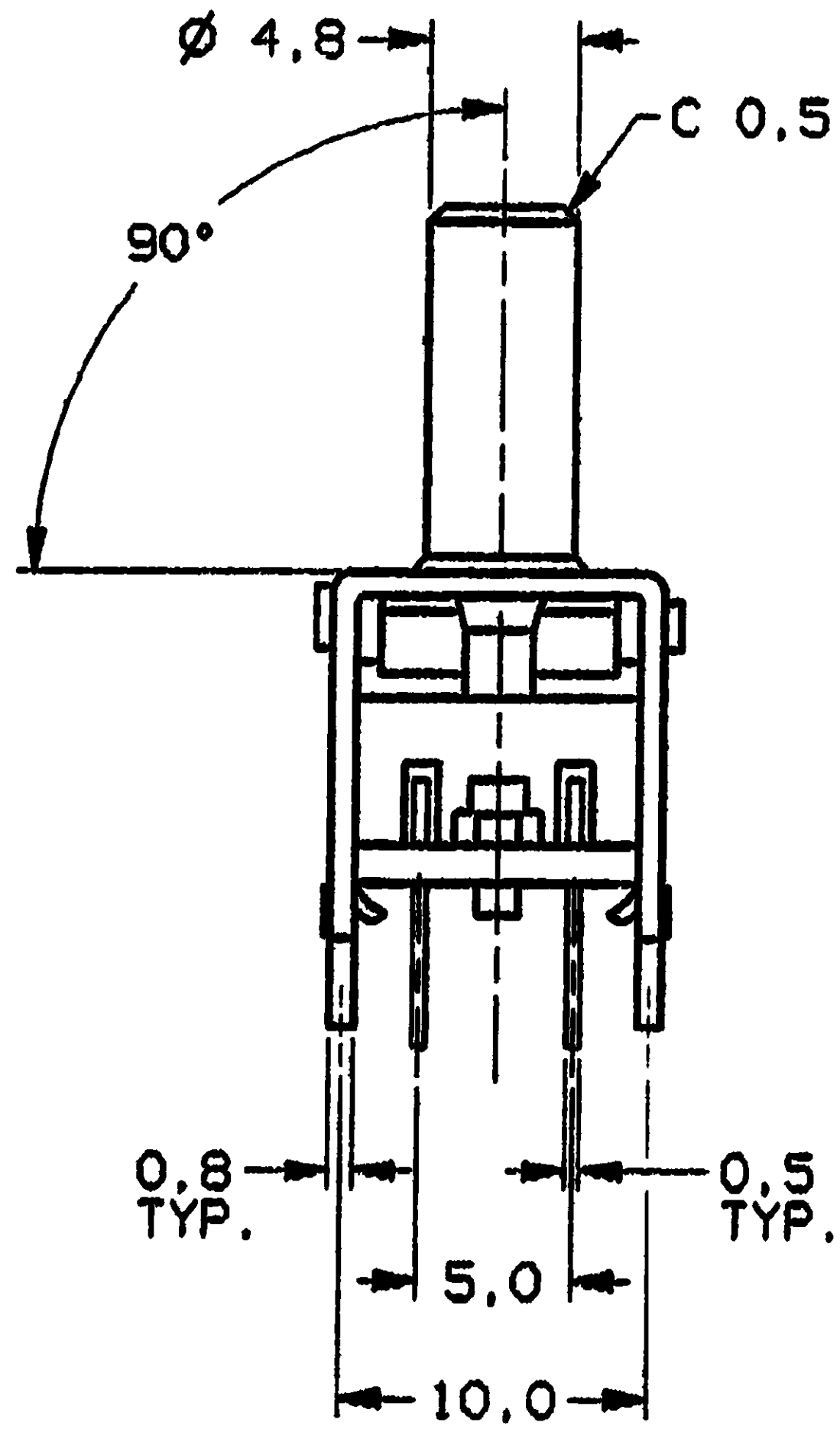
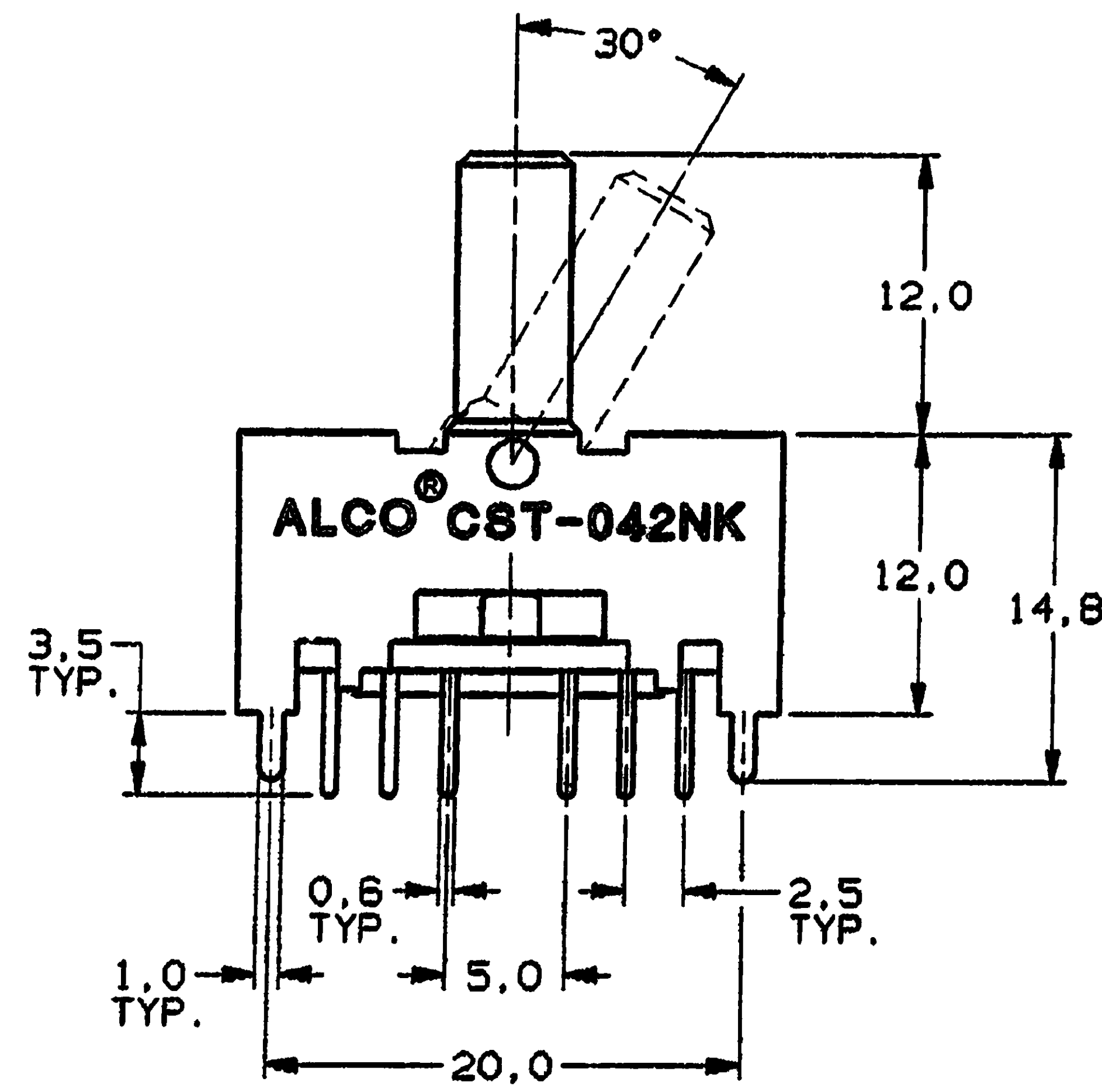
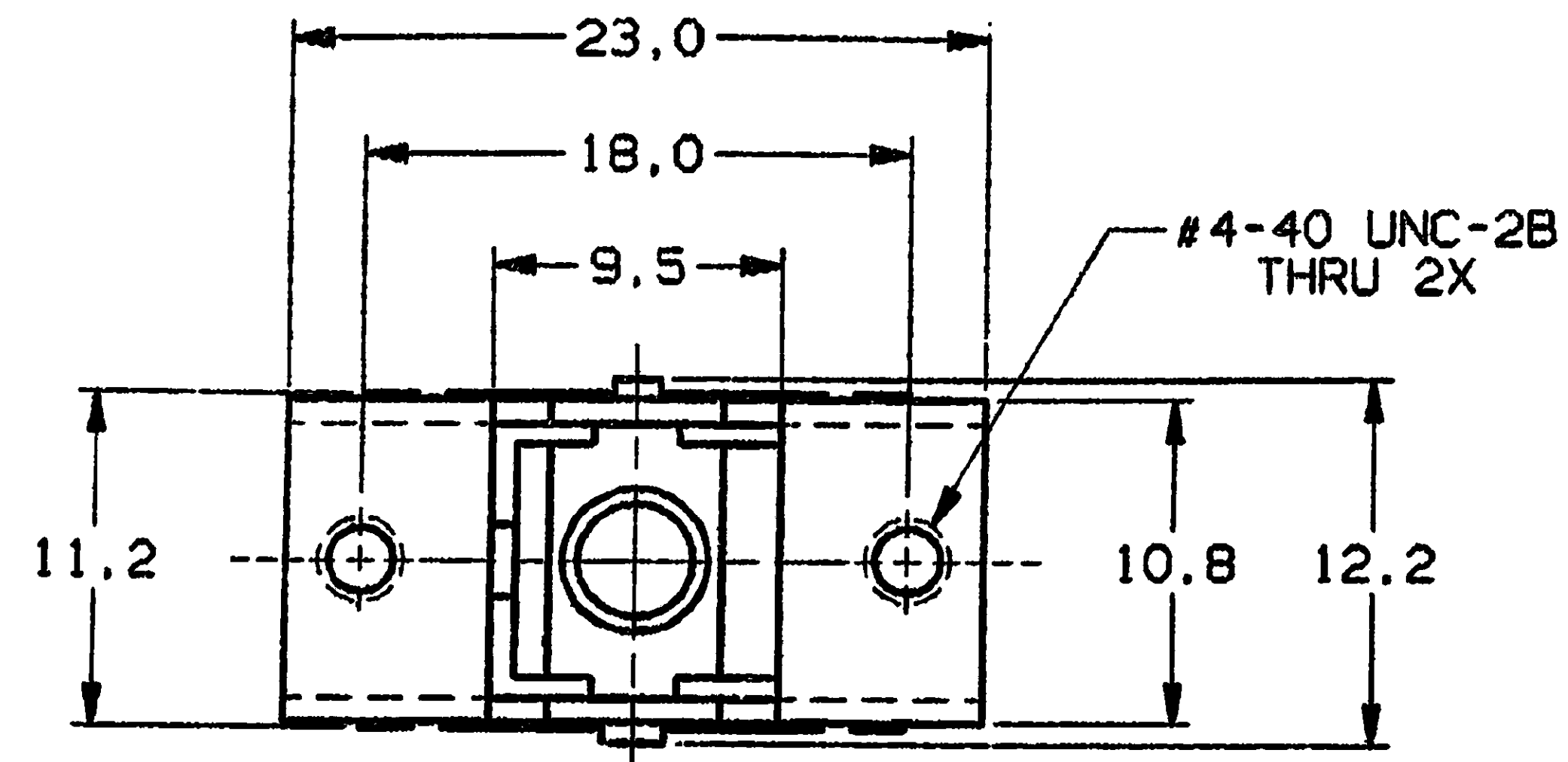


CONVERSION CHART	
MM	INCH
0.05	.002
0.12	.005
0.25	.010
0.5	.020
0.6	.024
0.8	.031
0.9	.035
1.0	.039
1.3	.051
2.5	.098
2.6	.104
3.2	.125
3.5	.138
4.8	.189
5.0	.197
9.0	.354
9.5	.374
10.0	.394
10.8	.425
11.2	.440
12.0	.472
12.2	.480
14.8	.582
18.0	.709
20.0	.787
23.0	.906



PC HOLE LAYOUT (TOP VIEW)
RECOMMENDED TOLERANCES ±0.05

SUGGESTED PANEL CUTOUT
RECOMMENDED TOLERANCES ±0.12

SPECIFICATIONS:

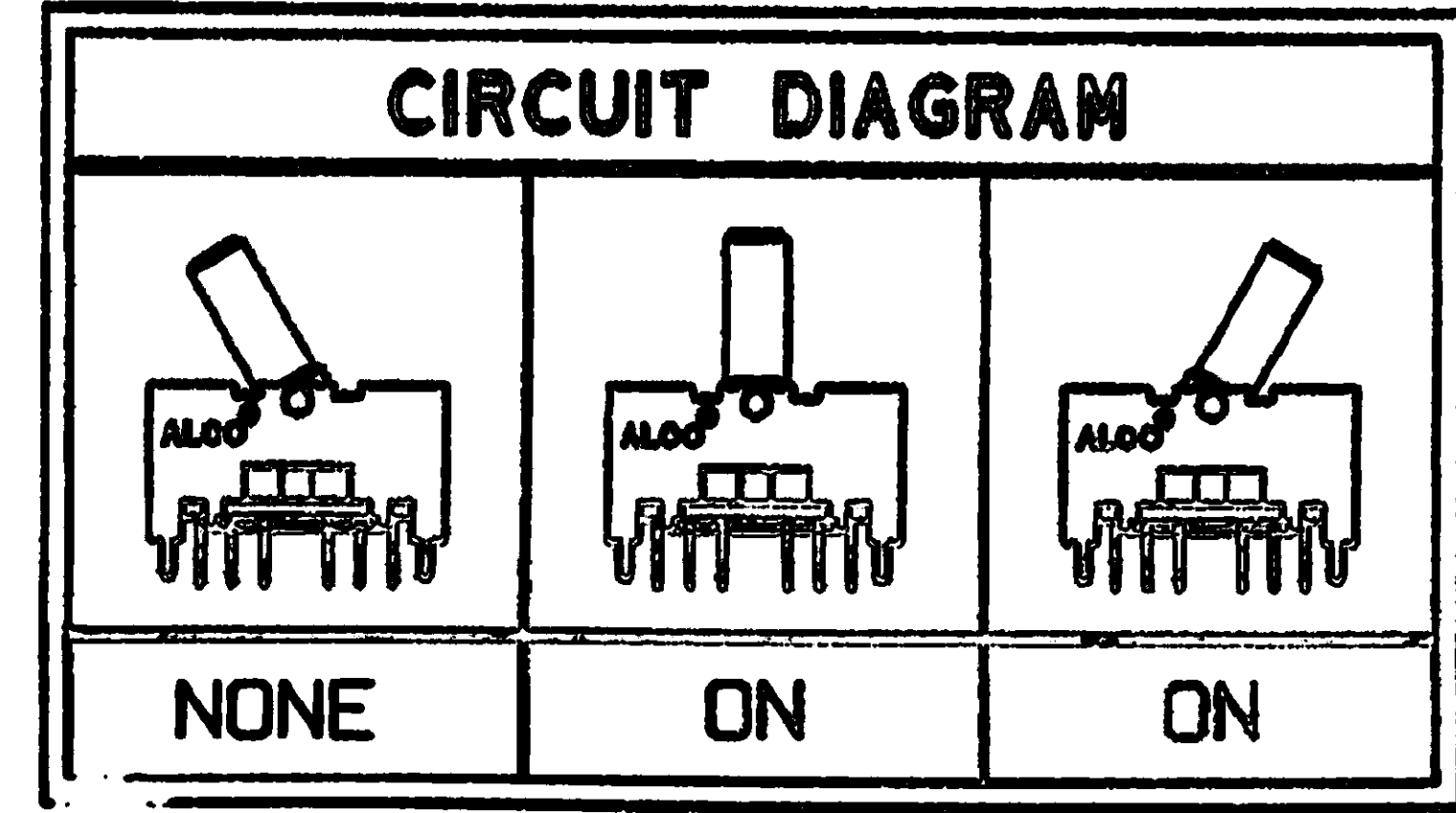
MATERIALS:
 FRAME: STEEL, TIN-PLATED.
 SLIDER: POLYCARBONATE.
 LEVER: POLYESTER.
 TERMINAL BOARD: PHENOLIC.
 FIXED CONTACT/TERMINAL: COPPER ALLOY, SILVER PLATE OVER NICKEL UNDERPLATE.
 MOVING CONTACT: COPPER ALLOY, SILVER CLAD OVER NICKEL FLASH.
 PRESSURE FINGER: POLYACETAL.
 PIN: STEEL.
 SPRING: STAINLESS STEEL.
 FIXING POSITION: POLYESTER.
 CAP: ALUMINUM.
 TERMINAL SEAL: EPOXY.

ELECTRICAL:
 CONTACT RATING: 0.3A @ 125 VAC (50-60 HZ),
 0.2A @ 12 VDC.
 INITIAL CONTACT RESISTANCE: 30 MILLIOHMS MAX.
 INSULATION RESISTANCE: 100 MEGOHMS MIN. @ 500 VDC.
 DIELECTRIC STRENGTH: 500 VAC FOR 1 MINUTE.
 LIFE EXPECTANCY: 10,000 CYCLES.
 CONTACT TIMING: NON-SHORTING.

MECHANICAL:
 ACTUATION FORCE: 450 ±250 GRAMS.
 ACTUATION TRAVEL: 30°

ENVIRONMENTAL:
 OPERATING TEMPERATURE: -15°C TO +55°C, (+5°F TO +131°F).
 STORAGE TEMPERATURE: -20°C TO +60°C, (-4°F TO +140°F).

NOTES: UNLESS OTHERWISE SPECIFIED
 1. INTERPRET DRAWING PER ANSI Y14.5M 1982.



REV	0
INITIAL RELEASE	1-20-97
ESRY A7995	1-21-97
C. THEODORE	1-21-97
APP'D: [Signature]	

OUTLINE DRAWING			
SPECIFICATIONS ARE SUBJECT TO CHANGES WITHOUT NOTICE			
	UNLESS OTHERWISE SPECIFIED DIMENSIONS ARE IN MILLIMETERS. DO NOT SCALE PRINT	ORIGINAL DATE OF DRAWING: 1-20-97	 432 JOHN DIETSCH BLVD. ATTEBORO FALLS, MASS. 02763 INC.
	TOLERANCES (EXCEPT AS NOTED) ANGULAR = ±1° DECIMAL = ±0.25	FILE NAME: 80961OUT DIRECTORY: TOGSHCH	
AUGAT CONFIDENTIAL This document contains information which is the exclusive property of Augat Inc. Distribution, reproduction or use by others is not permitted without the expressed written consent of Augat Inc.	MATERIAL: SEE SPECIFICATIONS	CHECKED: [Signature] DATE: 1-21-97	TITLE: OUTLINE DRAWING TOGGLE SWITCH, CST042NK 4PDT. PC TERMINALS
FINISH: SEE SPECIFICATIONS	CODE IDENT. NO. 91506	DWG. SIZE C	DWG. NO. 80961
	NEXT ASSY:		SCALE: SHEET 1 OF 1

X-ON Electronics

Largest Supplier of Electrical and Electronic Components

Click to view similar products for [Slide Switches](#) category:

Click to view products by [TE Connectivity](#) manufacturer:

Other Similar products are found below :

[6-1437581-1](#) [M43R](#) [MHSS1104A](#) [MMD](#) [GH36W010001](#) [GH49S010001](#) [1437576-8](#) [EPS1PC1](#) [1825074-1](#) [1825160-3](#) [1825167-2](#)
[25139NLDB](#) [25449NAH](#) [L101011ML04B](#) [SLB1240R45](#) [SLSA12004](#) [1825078-1](#) [1825080-4](#) [1825081-1](#) [1825269-1](#) [1825270-2](#)
[STS141RA04](#) [T2215BEN506](#) [GF-124-0204](#) [GH46P000001](#) [GH46W000001](#) [GH49P010001](#) [25339NA](#) [25436NLDH](#) [CST91246FK](#)
[TG36P000000](#) [TG36P000050](#) [47227LFE](#) [49331L](#) [MHSS1105A](#) [50208L](#) [L202091MS02Q](#) [4-1437581-7](#) [X2225CR-437W](#) [48BFSP3M2QT](#)
[49329L](#) [1101M1S3ZB8E2](#) [1-1437581-1](#) [EG1218REDACTUATOR](#) [TG39W000000](#) [1825075-1](#) [TG36WS80065](#) [T105S1CWZBE](#)
[SLB1280R5](#) [25136NLDB](#)