

THIS DRAWING IS UNPUBLISHED. RELEASED FOR PUBLICATION

© COPYRIGHT BY TYCO ELECTRONICS CORPORATION. ALL RIGHTS RESERVED.

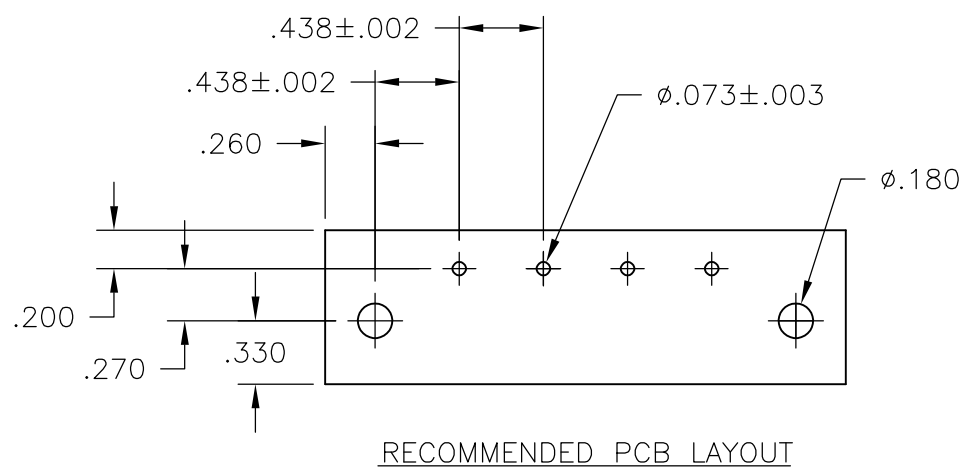
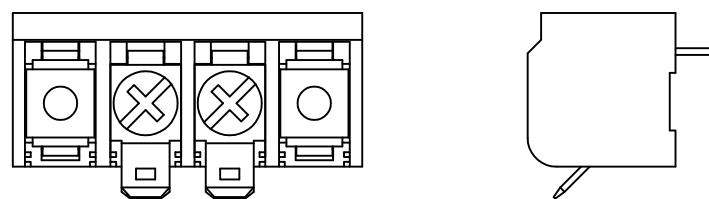
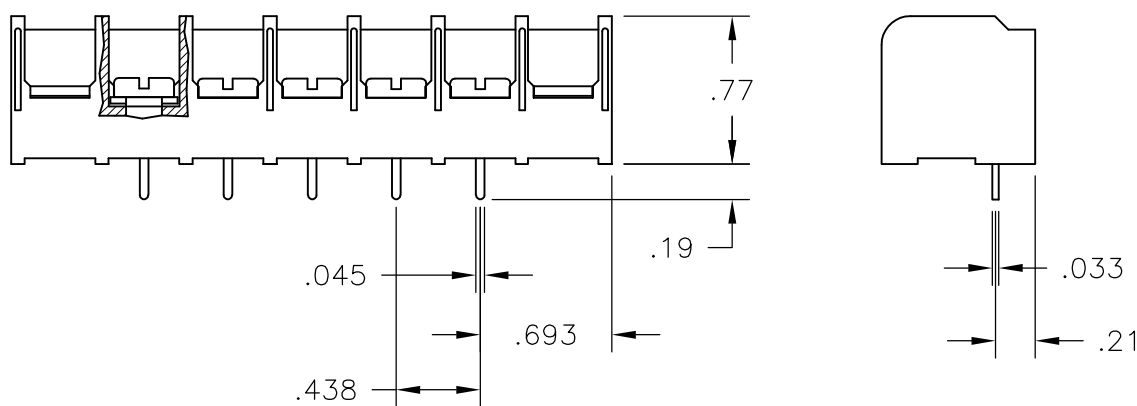
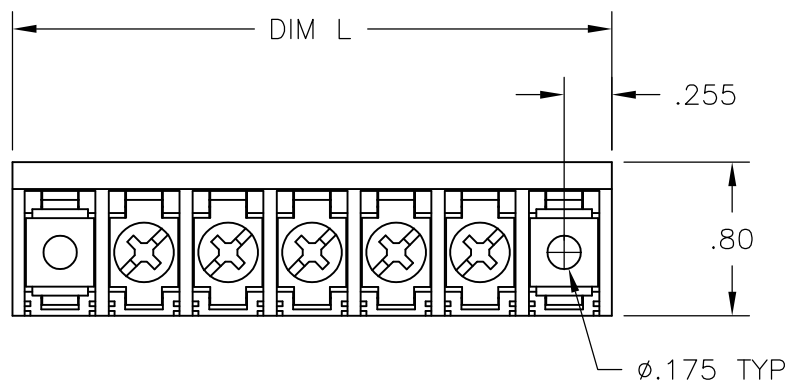
LOC FT	DIST 0	REVISIONS			
P	LTR	DESCRIPTION	DATE	DWN	APVD
	C	REVISED PER ECO-10-004812	04MAY10	HMR	CR

MATERIALS:
 HOUSING: THERMOPLASTIC, UL94V-0, BLACK.
 TERMINAL: BRIGHT TIN PLATED COPPER ALLOY.
 SCREWS: 8-32 ZINC PLATED STEEL.

ELECTRICAL:
 CURRENT RATING: 30A
 VOLTAGE RATING: 600V
 WIRE RANGE: 10-18 AWG (UL)
 10-22 AWG (CSA)

MECHANICAL:
 RECOMMENDED TORQUE: 20 IN-LB.
 OPERATING TEMP.: -40°C TO +120°C.

△ 2 PRELIMINARY PART NUMBER.



5-1546159-9

△ 2	DIM L	NO OF POS	CATALOG NUMBER	TE NUMBER
△ 2	8.823	18	8PCV-18-009	1-1546849-8
△ 2	8.385	17	8PCV-17-009	1-1546849-7
△ 2	7.948	16	8PCV-16-009	1-1546849-6
△ 2	7.510	15	8PCV-15-009	1-1546849-5
△ 2	7.073	14	8PCV-14-009	1-1546849-4
△ 2	6.635	13	8PCV-13-009	1-1546849-3
	6.198	12	8PCV-12-009	4-1437658-8
△ 2	5.760	11	8PCV-11-009	1-1546849-1
	5.323	10	8PCV-10-009	7-1546159-4
△ 2	4.885	9	8PCV-09-009	1546849-9
△ 2	4.448	8	8PCV-08-009	1546849-8
△ 2	4.010	7	8PCV-07-009	1546849-7
	3.573	6	8PCV-06-410	1437658-3
△ 2	3.573	6	8PCV-06-009	1546849-6
	3.135	5	8PCV-05-009	3-796615-3
	2.698	4	8PCV-04-009	3-796615-4
△ 2	2.260	3	8PCV-03-009	1546849-3
	1.823	2	8PCV-02-009-011	5-1546159-9
	1.823	2	8PCV-02-009	5-1546159-8

THIS DRAWING IS A CONTROLLED DOCUMENT.		DWN S SCHLEGEL 10/25/06	Tyco Electronics Corporation Harrisburg, PA 17105-3608	
DIMENSIONS: INCHES		CHK S YODER 10/25/06	NAME	
TOLERANCES UNLESS OTHERWISE SPECIFIED:		APVD S YODER 10/25/06	8PCV-XX-009 ASSEMBLY	
0 PLC ± - 1 PLC ± - 2 PLC ± .01 3 PLC ± .005 4 PLC ± - ANGLES ± 1°		PRODUCT SPEC -	SIZE A3	CAGE CODE 00779
MATERIAL -		FINISH -	DRAWING NO C-1437658-3	RESTRICTED TO -
CUSTOMER DRAWING			SCALE 1:1	SHEET 1 OF 1
			REV C	

X-ON Electronics

Largest Supplier of Electrical and Electronic Components

Click to view similar products for [Barrier Terminal Blocks](#) category:

Click to view products by [TE Connectivity](#) manufacturer:

Other Similar products are found below :

[6C1N03](#) [6PCR-02-008](#) [6PCR-05-008](#) [6PCR-08-008](#) [6PCR-21-006](#) [6PCV-06-008](#) [6PCV-10-009](#) [6PCV-15-008](#) [6STR-06-006](#) [6STR-08-006](#)
[6STR-12-008](#) [6STR-14-008](#) [6STR-16-008](#) [6STR-17-008](#) [6STR-21-008](#) [6STR-25-008](#) [6STR-27-008](#) [6STV-03-006](#) [6STV-03-008](#) [6STV-04-006](#) [6STV-10-006](#) [6WWR-03](#) [6WWV-12-008](#) [6WWV-16-008](#) [7-1546701-0](#) [72212603](#) [72503-C](#) [72504-C-50](#) [73203](#) [76007](#) [7604-501LF](#)
[77010-50](#) [796985-3](#) [796988-4](#) [7C1N08](#) [8-1437402-5](#) [8-1437402-7](#) [8-1546158-0](#) [870505](#) [870903](#) [8PCR-06-006](#) [8PCV-02-008](#) [8PCV-05-008](#)
[8PCV-09-006](#) [8PCV-15-006](#) [8PCV-17-006](#) [8QCR-03-008](#) [8STV-04-006](#) [9-1437402-3](#) [A103104](#)