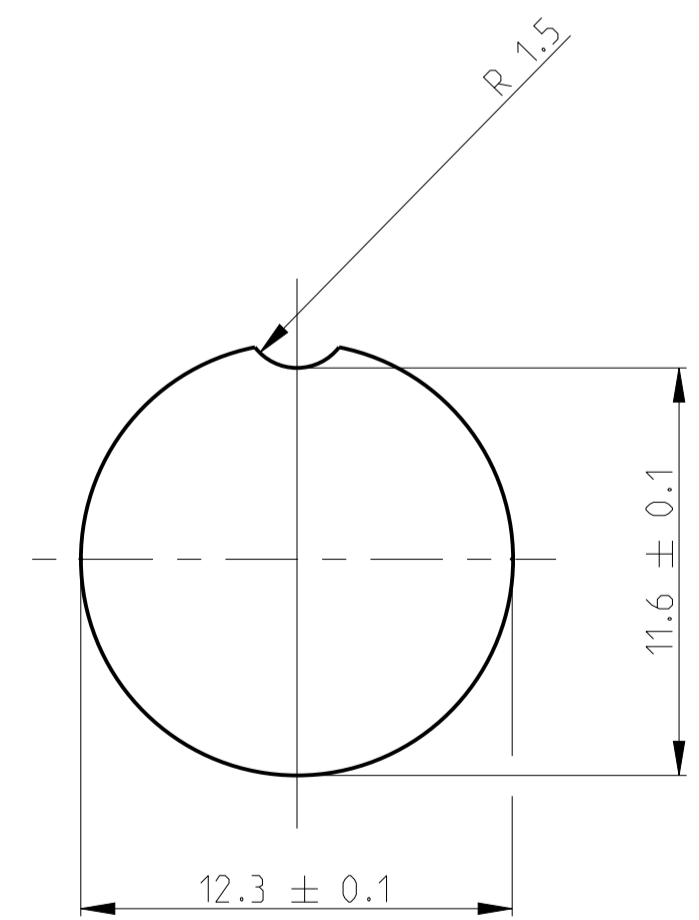


MOUNTING HOLE DIMENSION
 LOCHBILD FUER MONTAGE



LOC		DIST		REVISIONS		
A1		-		ANDE RUNGEN	DATE	DWN
PROJECT NO.:				DESCRIPTION		APVD
EGLPC 01017				BESCHREIBUNG		
A1	EG00-0803-01				19 JUN 2001	NG GF
A2	ECR-21-003049				1 MAR 2021	BP CW

MATERIAL / MATERIAL: PBT, UL-94 V2	
SHELL MATERIAL / GEHAUSEMATERIAL: CUZN	
FINISH / BESCHICHTUNG: TRIBOR 4 μm	
CODING / KODIERUNG	
WIRE GAGE / DRAHTGROESSE IN mm ² : 0.25	
WIRE GAGE / DRAHTGROESSE IN mm ² : 0.14	
CONTACT RESISTANCE / KONTAKTWIDERSTAND: => 5 mΩ	
RATED CURRENT PER CONTACT / NENNSTROM PRO KONTAKT: 3 A	
RATED CURRENT PER CONTACT / NENNSTROM PRO KONTAKT: 1 A	
SHELL PROTECTION CLASS / SCHUTZKLASSE: IP 65 / DIN 40050	
TERMINATION: SOLDERING / VERBINDUNG: LOETKONTAKTE	
TEST VOLTAGE / PRUEFSPANNUNG: 500 VAC	
OPERATING VOLTAGE / BETRIEBSSPANNUNG: 60 VAC	
OPERATING TEMPERATURE: -40°C TO +80°C / ARBEITSTEMPERATUR: -40°C BIS +80°C	
MATING CYCLES / STECKZYKLEN: 500 MAX.	
TECHNICAL DATA TECHNISCHE DATEN	

TYCO-NO. / TYCO NR.						
0-1437720-9	0-1437720-6	0-1437720-3	9-1437719-9	9-1437719-6		
1	1	1	1	1	SEAL / DICHTUNG	13
1					INSULATION TUBE 8 POS. / ISOLIERHUELSE 8 POL.	12
	1				INSULATION TUBE 7 POS. / ISOLIERHUELSE 7 POL.	11
		1			INSULATION TUBE 5 POS. / ISOLIERHUELSE 5 POL.	10
			1		INSULATION TUBE 4 POS. / ISOLIERHUELSE 4 POL.	9
				1	INSULATION TUBE 3 POS. / ISOLIERHUELSE 3 POL.	8
8	7				SOCKET APPLIED BY PRESSURE / BUCHSENKONTAKT EINGEPRESST	7
		5	4	3	SOCKET APPLIED BY PRESSURE / BUCHSENKONTAKT EINGEPRESST	6
1	1	1	1	1	NUT / MUTTER	5
1	1	1	1	1	SEAL / DICHTUNG	4
1	1	1	1	1	SEAL / DICHTUNG	3
1	1	1	1	1	HOUSING / GEHAUSE	2
1	1	1	1	1	GROUND ON PCB SPRING / VERBINDUNGSFEDER ZUR PCB MASSE	1
-	-	-	-	-	REVISION OF EACH ASSY NO. (WHEN BLANK, USE DWG REV.)	
QTY REQD PER ASSY		DESCRIPTION / BESCHREIBUNG				ITEM-NO. TEIL-NR.
T01-0580-S08	T01-0580-S07	T01-0580-S05	T01-0580-S04	T01-0580-S03	PARTS LIST / TEILE LISTE	
CATALOG-NO.	CATALOG-NO.	CATALOG-NO.	CATALOG-NO.	CATALOG-NO.		

AS SHOWN
 9-1437719-6 WIE GEZEICHNET

THIS DRAWING IS UNCLASSIFIED FROM THE ELECTRONIC COMMERCE RECLASSIFICATION ACT. IT IS SUBJECT TO CHANGE AND FOR THE LATEST INFORMATION CONTACT THE SUPPLIER. DIESER ZEICHNUNGSDRAWING IS UNCLASSIFIED FROM THE ELECTRONIC COMMERCE RECLASSIFICATION ACT. IT IS SUBJECT TO CHANGE AND FOR THE LATEST INFORMATION CONTACT THE SUPPLIER. ANDERSON, 21000 STEWART AVENUE, BENTONVILLE, AR 72716 TEL: 479-270-6100 FAX: 479-270-6101 WWW.TYCOELECTRONICS.COM		DWN: 19 JUN 2001 CHK: H. SCHERER APVD: 19 JUN 2001	tyco Electronics tyco Electronics AMP GmbH D - 64625 Bensheim
DIMENSIONS: TOLERANCES UNLESS OTHERWISE SPECIFIED: ALLE DIMENSIONEN: TOLERANZEN UNLESS OTHERWISE SPECIFIED:		NAME: T01 FEMALE PLUG CONN. PANEL MNT. SOLDER VER. 3-8 POS. 180 DGR. T01 BUCHSENSTECKER, EINBAU, LOETVERSION 3-8 POL. 180 GRAD	SIZE: 00779 CAGE CODE: 9-1437719-6 DRAWING NO.: 9-1437719-6 SCALE: 1:1 SHEET: 1 OF 1 REV: A2
MATERIAL: - FINISH: - WEIGHT: - CUSTOMER DRAWING	RESTRICTED TO NON-FUER: - SCALE: - SHEET: 1 OF 1 REV: A2		

X-ON Electronics

Largest Supplier of Electrical and Electronic Components

Click to view similar products for [Standard Circular Connector](#) category:

Click to view products by [TE Connectivity](#) manufacturer:

Other Similar products are found below :

[5M2530B10P](#) [600259N006](#) [600273N007](#) [6134-336-13149](#) [6134-337-11149](#) [6134-337-2390](#) [6134-341-17149](#) [6280-4SG-516](#) [6280-7SG-3DC](#)
[6290](#) [6291A](#) [66200A-10](#) [680-SMG](#) [681-PMG](#) [CXS3102A14S2P](#) [CXS3102A181S](#) [7251-5SG-300](#) [7271-6SG-300](#) [7282-3PG-300-CH3](#) [75-](#)
[474618-01S](#) [75-474618-04P](#) [75-474618-04S](#) [799539-000](#) [MI8-SE](#) [805-005-07NF11-19PC](#) [805-005-07NF15-7PA](#) [8280-4PG-516](#) [8280-7PG-](#)
[519](#) [8282-5PG-519](#) [836783-1](#) [MP-4102-25P-C](#) [862256-1](#) [864019-2](#) [866857-1](#) [867865-1](#) [PT01SP-14-18P](#) [PT08P-14-5S](#) [PTSF06SE-14-12S](#)
[120-1833-000](#) [QCM019PC2DC012B](#) [1-2069279-1](#) [121583-0217](#) [121667-0020](#) [129591AU](#) [1000B BULK](#) [RD10A16-19-P6CS051/1](#)
[RD10A20-31-P8CS051/1](#) [RD16A14-12-S6CS051/2](#) [1301240290](#) [1301240347](#) [1301860202](#)