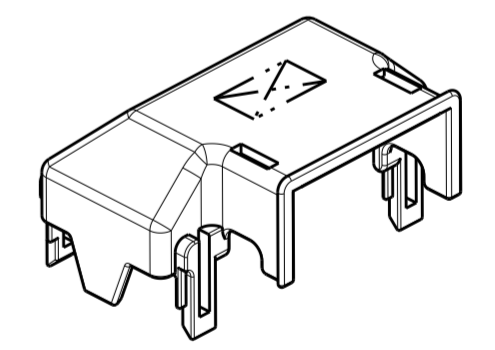
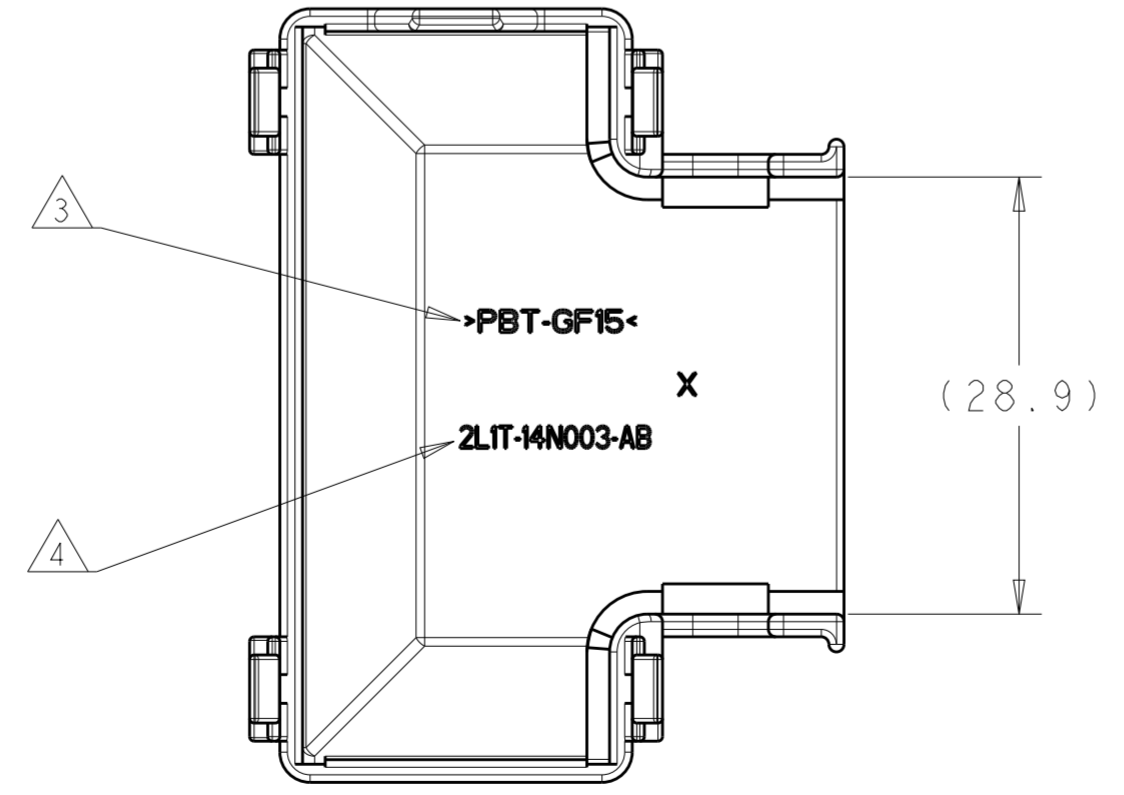
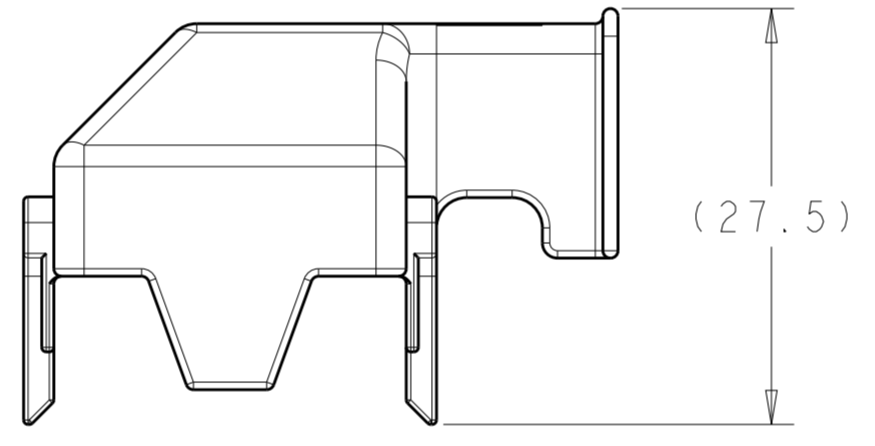
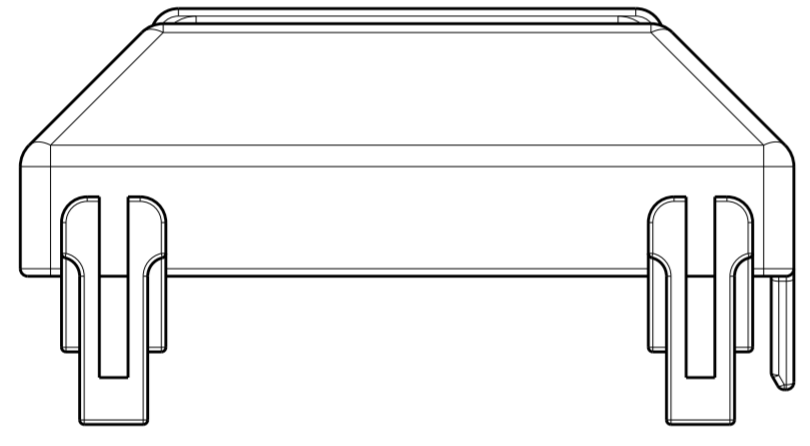
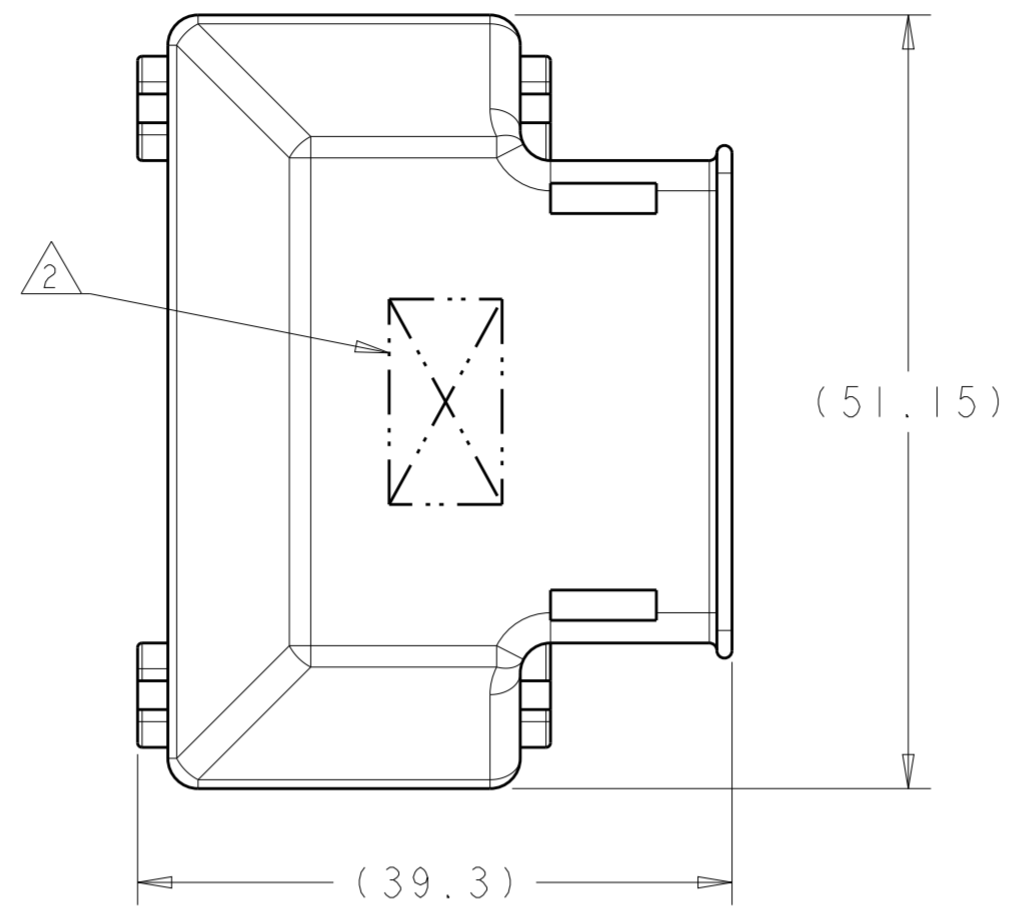


THIS DRAWING IS UNPUBLISHED. RELEASED FOR PUBLICATION 20
 © COPYRIGHT 20 BY - ALL RIGHTS RESERVED.

| REVISIONS | | | | | |
|-----------|-----|----------------------------|-----------|-----|------|
| P | LTR | DESCRIPTION | DATE | DWN | APVD |
| A | | RELEASED PER ECO-15-012944 | 08SEP2015 | DLD | DCM |
| AI | | REVISED PER ECO-16-006987 | 06MAY2016 | DLD | DLD |
| | | | | | |

NOTE(S):

- 1 MATERIAL: PBT-GF15
COLOR: BLACK
- 2 COMPANY LOGO LOCATED APPROXIMATELY AS SHOWN.
- 3 MOLD CAVITY I.D. AND RECYCLING CODE >PBT-GF15< LOCATED APPROXIMATELY AS SHOWN.
- 4 FORD PART NUMBER LOCATED APPROXIMATELY AS SHOWN, SEE TABLE.



SCALE 1:1

| | |
|----------------------|-------------|
| 2LIT-14N003-AB | 1438084-1 |
| CUSTOMER PART NUMBER | PART NUMBER |

| | | | | |
|---|--|---------------------------------|------------------------------------|-------------------------|
| THIS DRAWING IS A CONTROLLED DOCUMENT. | | DWN D. DRUMMOND 08SEP2015 | STE TE Connectivity | |
| DIMENSIONS: mm | | CHK C. MARTIN 08SEP2015 | NAME 46-WAY WIRE SHIELD, PCM | |
| TOLERANCES UNLESS OTHERWISE SPECIFIED: 0 PLC ± 1 PLC ± 2 PLC ± 3 PLC ± 4 PLC ± ANGLES ± FINISH | | APVD C. MARTIN 08SEP2015 | PRODUCT SPEC - | RESTRICTED TO - |
| MATERIAL - 1 | | APPLICATION SPEC - | WEIGHT - | SIZE A200779 |
| | | CUSTOMER DRAWING | SCALE 2:1 | DRAWING NO C-1438084 |
| | | | SHEET 1 OF 1 | REV A1 |

X-ON Electronics

Largest Supplier of Electrical and Electronic Components

Click to view similar products for [Automotive Connectors](#) category:

Click to view products by [TE Connectivity](#) manufacturer:

Other Similar products are found below :

[003-018-000](#) [60403001](#) [60993906-B](#) [M902-2131](#) [M902-2161](#) [72.330.1035.1](#) [73.353.4028.0](#) [F119300-B](#) [F166900](#) [F258300-B](#) [F358300-B](#)
[F407400](#) [F444110](#) [F487000](#) [F509500B-B](#) [827153-1](#) [8N1515-32-24P](#) [9-1326729-8](#) [925474-1](#) [928905-1](#) [964562-4](#) [968782-1](#) [GT17SA-8DS-](#)
[HU](#) [98891-1012](#) [98947-1016](#) [12004147](#) [12004475-L](#) [12010290](#) [12010309-B](#) [12015454](#) [12020219-B](#) [12020308](#) [12041318-B](#) [12052225-L](#)
[12052466](#) [12059125](#) [12064869](#) [12004327-B](#) [12010503-B](#) [12015308](#) [12015384](#) [12015909](#) [1-21030-1](#) [12041254](#) [12041318](#) [12047946-B](#)
[12047957](#) [12047957-L](#) [12059473](#) [12066261](#)