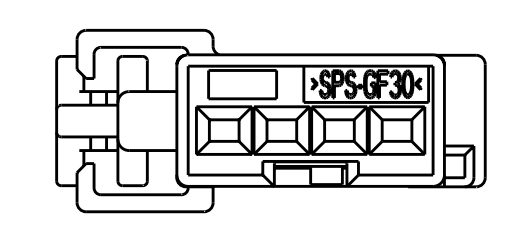
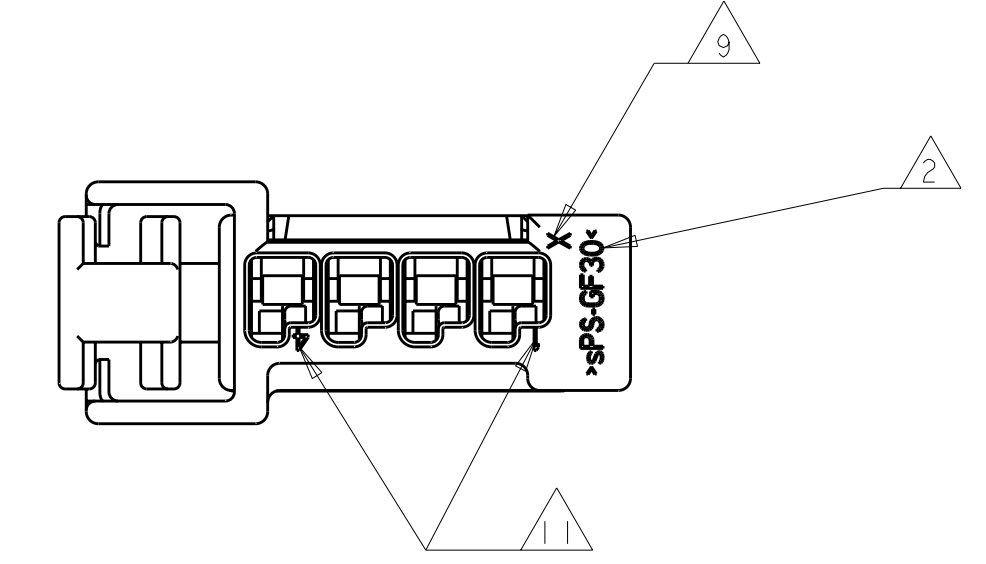
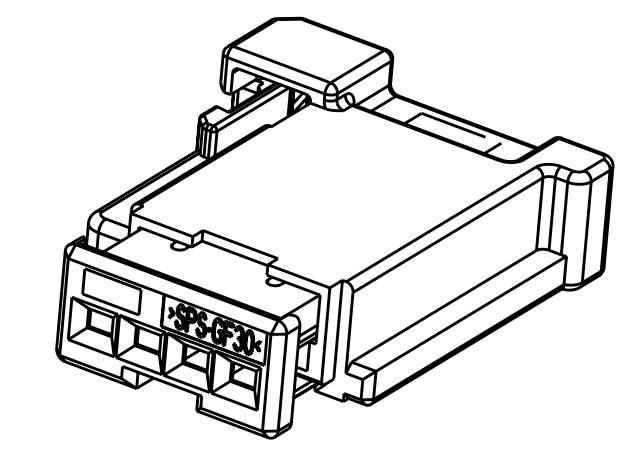
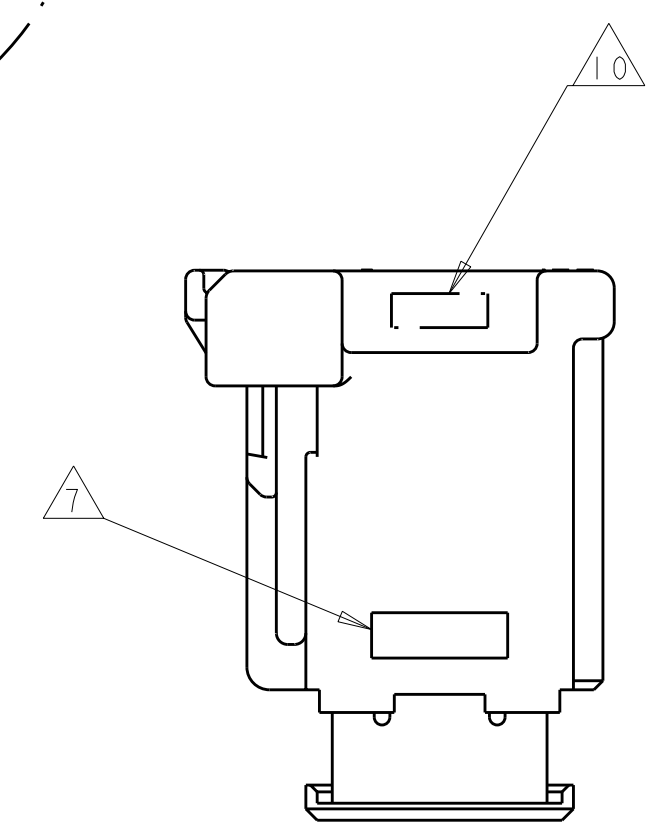
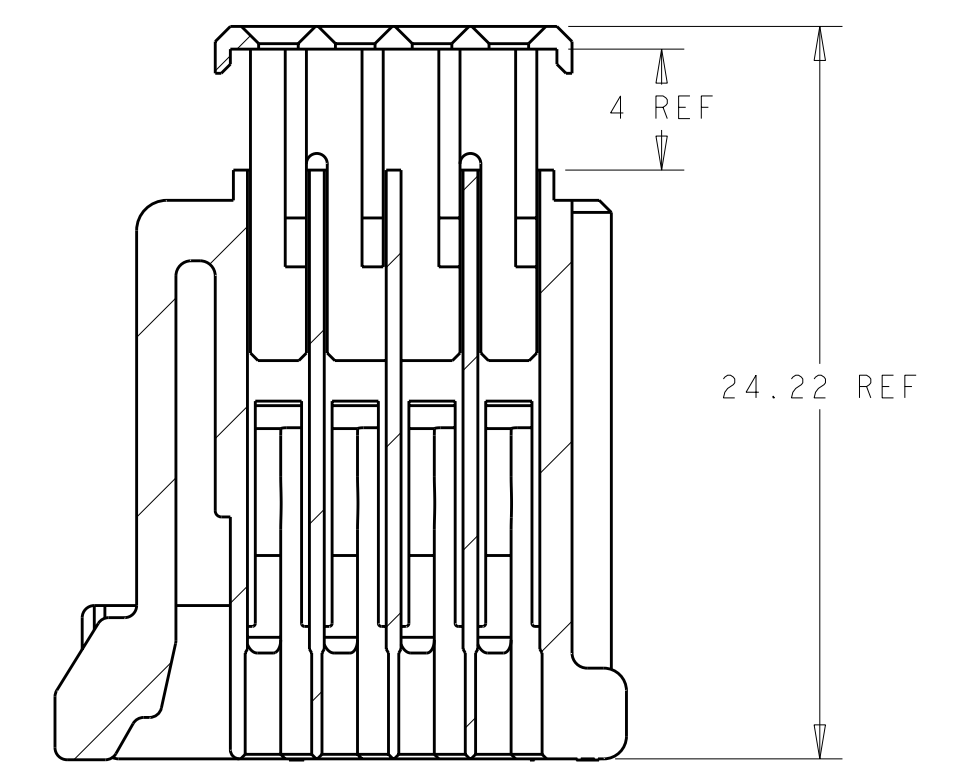
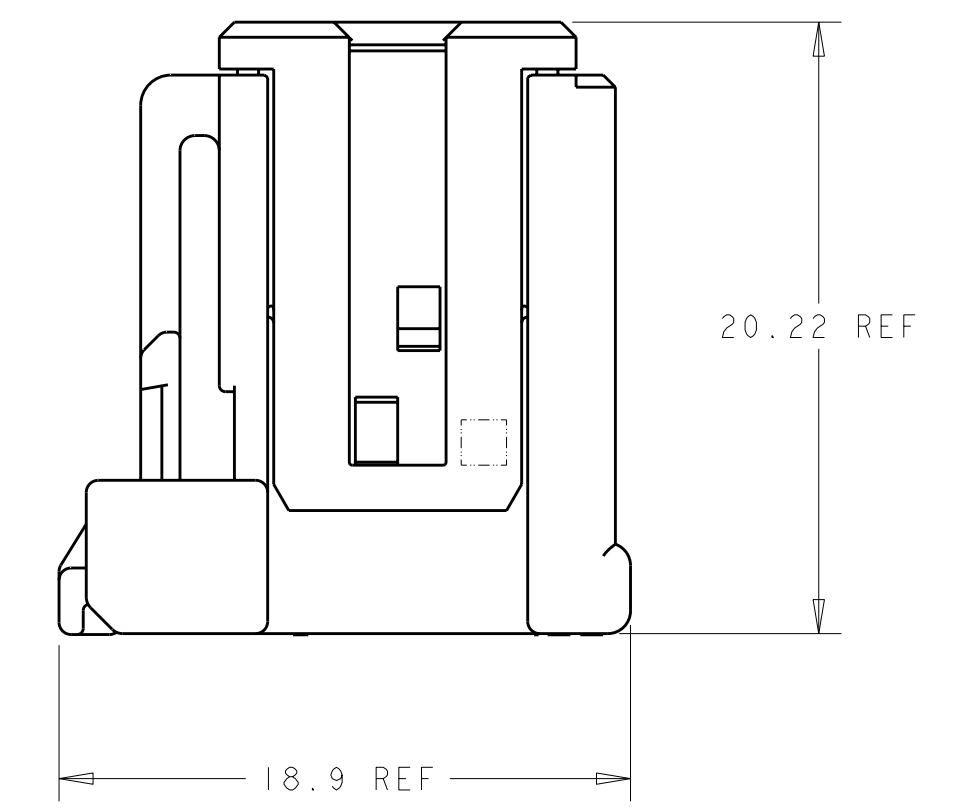
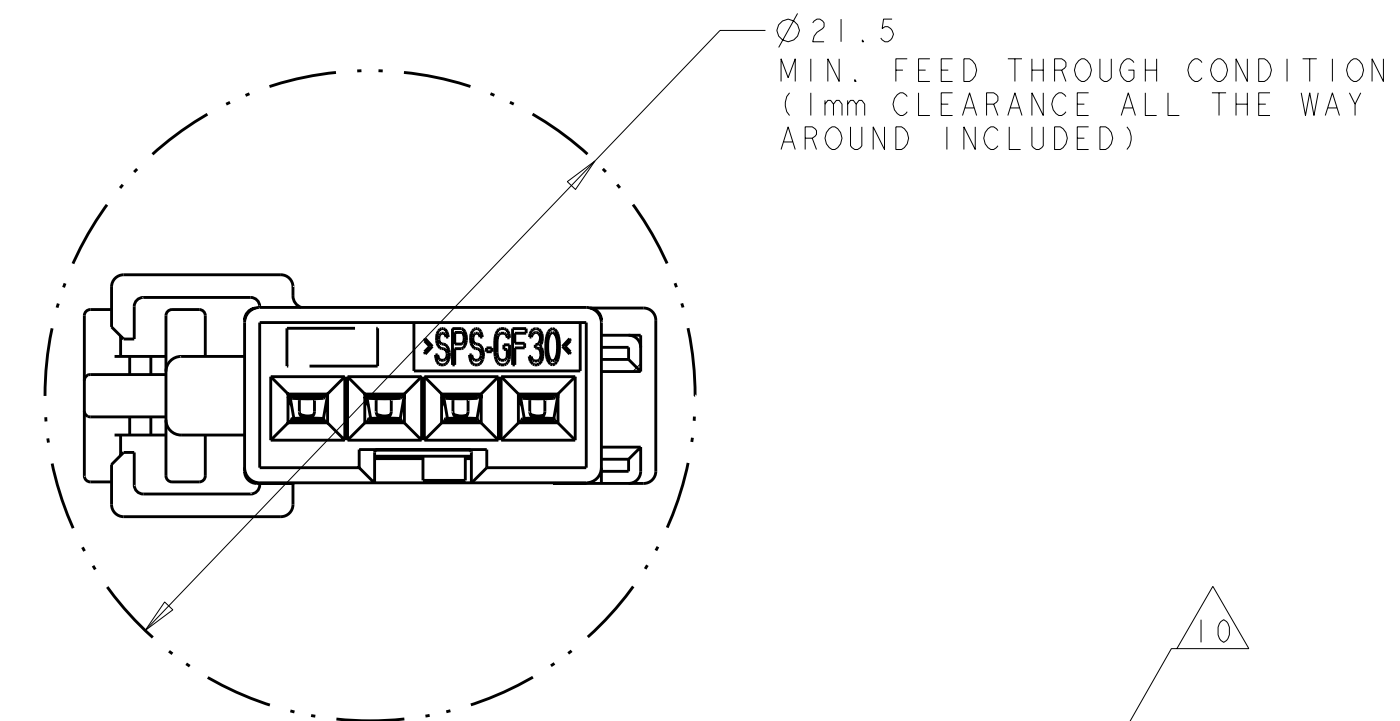
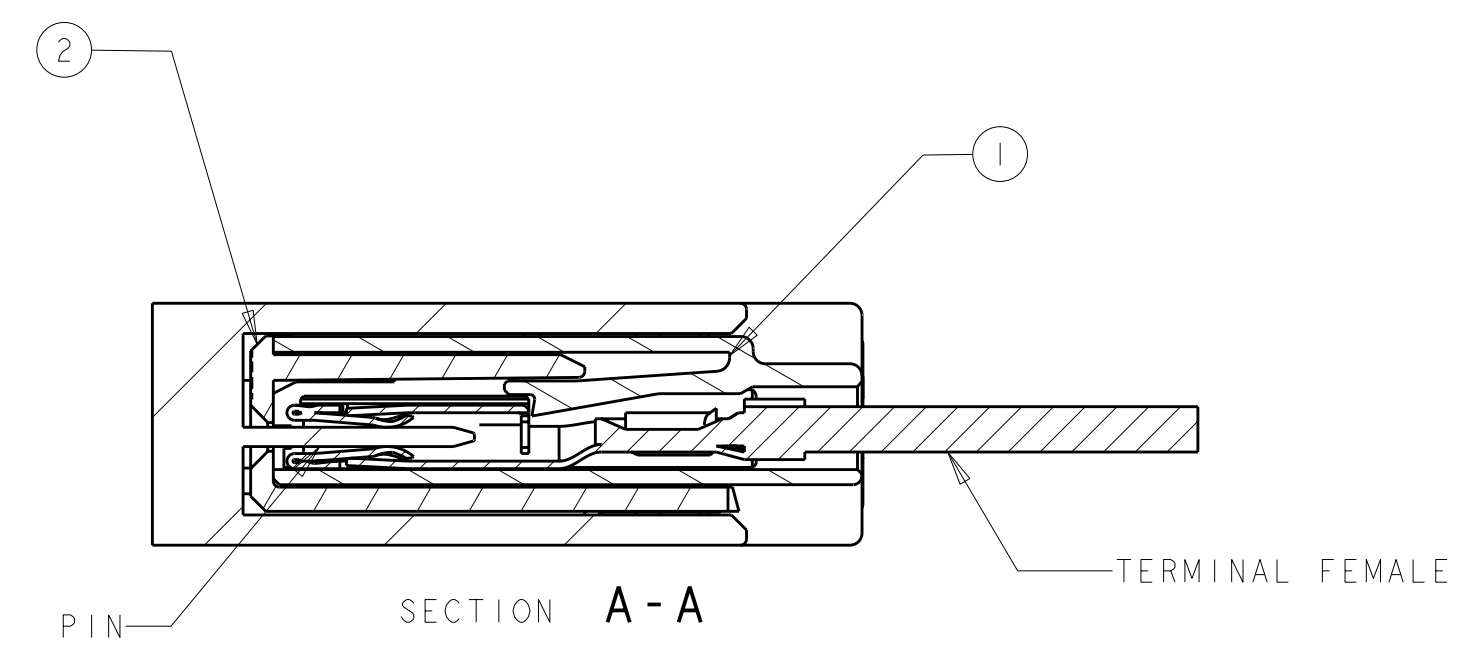
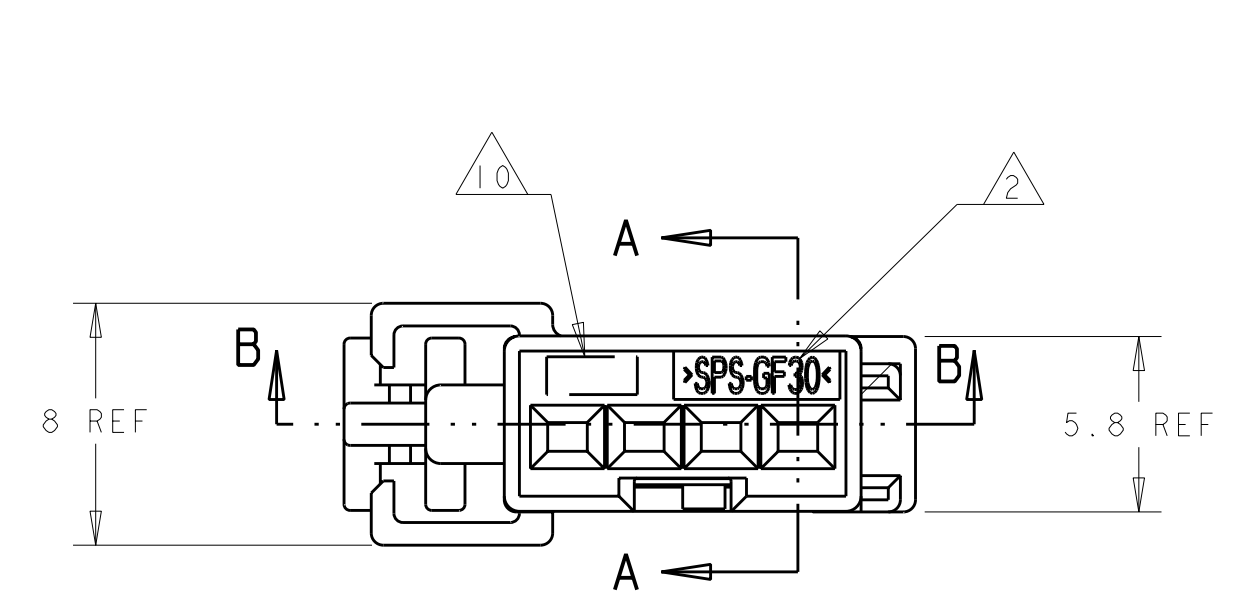
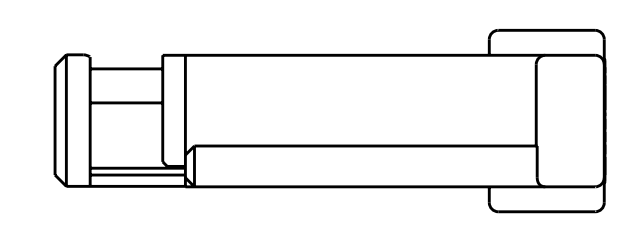


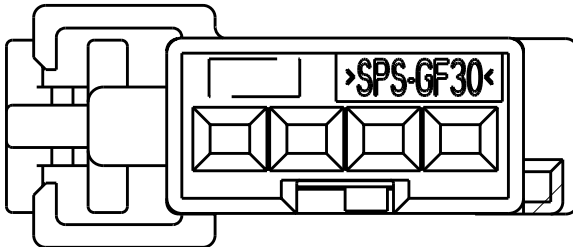
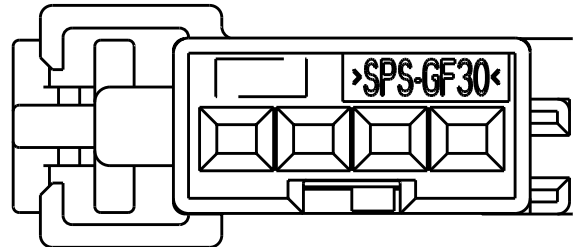
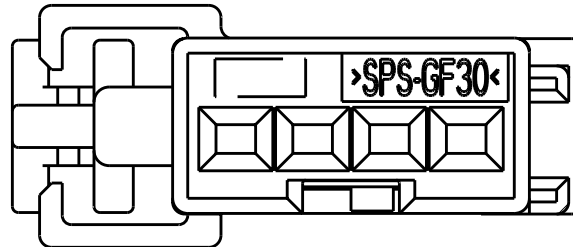
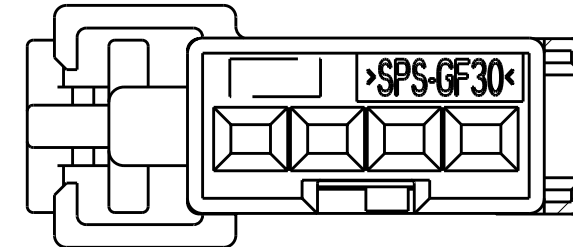
LOC	DIST	REVISIONS			
P	LTR	DESCRIPTION	DATE	OWN	APVD
0		RELEASE PER ECN	30AUG2001	AJS	AJV
A		REV PER EC 0K3G-0071-03	19JUN2003	MBH	AJS
AI		REV PER ECR-10-012906	24JUN2010	VSS	DZ



SCALE 3:1



KEYING OPTIONS

			
1438122-1	1438122-2	1438122-3	1438122-4
KEYING OPTION "A"	KEYING OPTION "B"	KEYING OPTION "C"	KEYING OPTION "D"

- NOTE(S):
- MAXIMUM INSERTION FORCE FULLY POPULATED WITH TIN TERMINALS= 39(N)
GOLD TERMINALS= 27 (N)
 - MATERIAL IDENTIFICATION SYMBOLS
 - 0.2 mm MAXIMUM RADIUS PERMISSIBLE ON EDGES AND FILLETS SHOWN AS SHARP FOR PLASTIC PARTS.
 - N/A
 - N/A
 - N/A
 - PRODUCTION DATE CODE (YY-DDD-HH) & ASSEMBLY PART NO. APPLIED IN APPROXIMATE LOCATION.
 - N/A
 - TOOL CAVITY #
 - COMPANY LOGO
 - TERMINAL CAVITY IDENTIFICATION NUMBER.
 - INTERFACE DRAWING IS AVAILABLE UPON REQUEST FROM ENGINEERING.

LIST OF PARTS					
ITEM	COLOR	DESCRIPTION	TYCO PART NUMBER	RECYCLING CODE	WEIGHT (GRAM)
1	RED	SPACER	1438118-1		
1	BLACK	HARNESS-KEY D	1438117-4	sPS-GF30	N/A
1		HARNESS-KEY C	1438117-3		
1		HARNESS-KEY B	1438117-2		
1		HARNESS-KEY A	1438117-1		

APPLICABLE COMPONENTS					
DESCRIPTION	NOMINAL TERMINAL SIZE	COLOR	TYCO PART NUMBER	MATERIAL / SPECIFICATION NUMBER	APPLICABLE WIRE SIZES
TERMINAL FEMALE	0.64 (CAT. 0)	N/A	1393366-1	COPPER ALLOY/TIN PLATE	18-20AWG OR METRIC EQUIVALENT
TERMINAL FEMALE	0.64 (CAT. 0)	N/A	1393367-1	COPPER ALLOY/TIN PLATE	22-24AWG OR METRIC EQUIVALENT
TERMINAL FEMALE	0.64 (CAT. 0)	N/A	1393365-1	COPPER ALLOY/GOLD PLATE	18-20AWG OR METRIC EQUIVALENT
TERMINAL FEMALE	0.64 (CAT. 0)	N/A	1393364-1	COPPER ALLOY/GOLD PLATE	22-24AWG OR METRIC EQUIVALENT

DIMENSIONS: mm		TOLERANCES UNLESS OTHERWISE SPECIFIED:		DWN: A. SHUMAN 30AUG2001		Tyco Electronics Harrisburg, PA 17105-3608	
9 PLC ±.2		3 PLC ±.1		CHK: A. VALASEK 30AUG2001		NAME: 1 X 4 UNSEALED SIDE LATCH HARNESS ASSEMBLY	
5 PLC ±.1		4 PLC ±.1		APVD: A. VALASEK 30AUG2001		SIZE: CAGE CODE: DRAWING NO: RESTRICTED TO	
MATERIAL FINISH		WEIGHT		A1 00779 C=1438122		SCALE: 4:1 SHEET 1 OF 1 REV: A1	
CUSTOMER DRAWING							

X-ON Electronics

Largest Supplier of Electrical and Electronic Components

Click to view similar products for [Automotive Connectors](#) category:

Click to view products by [TE Connectivity](#) manufacturer:

Other Similar products are found below :

[003-018-000](#) [600858](#) [60403001](#) [60993906-B](#) [60993913-B](#) [629515004020001](#) [M902-2131](#) [M902-2161](#) [M902-2344](#) [72.330.1035.1](#)
[73.353.4028.0](#) [F118010](#) [F119300-B](#) [F132210](#) [F132210-B](#) [F166900](#) [F180100](#) [F258300](#) [F258300-B](#) [F294300-B](#) [F339100](#) [F339700](#) [F358300-](#)
[B](#) [F374110](#) [F407400](#) [F412210](#) [F427600](#) [F444110](#) [F487000](#) [F495100-B](#) [F500900-B](#) [F509500B-B](#) [770444-1](#) [776880-1](#) [827153-1](#) [881735-1](#)
[8N1515-32-24P](#) [9-1326727-8](#) [9-1326729-8](#) [925467-1](#) [925474-1](#) [928905-1](#) [936398-2](#) [964562-1](#) [964562-4](#) [964731-2](#) [965051-1](#) [968782-1](#)
[GT17SA-8DS-HU](#) [GT17VS-10DP-5.2CF](#)