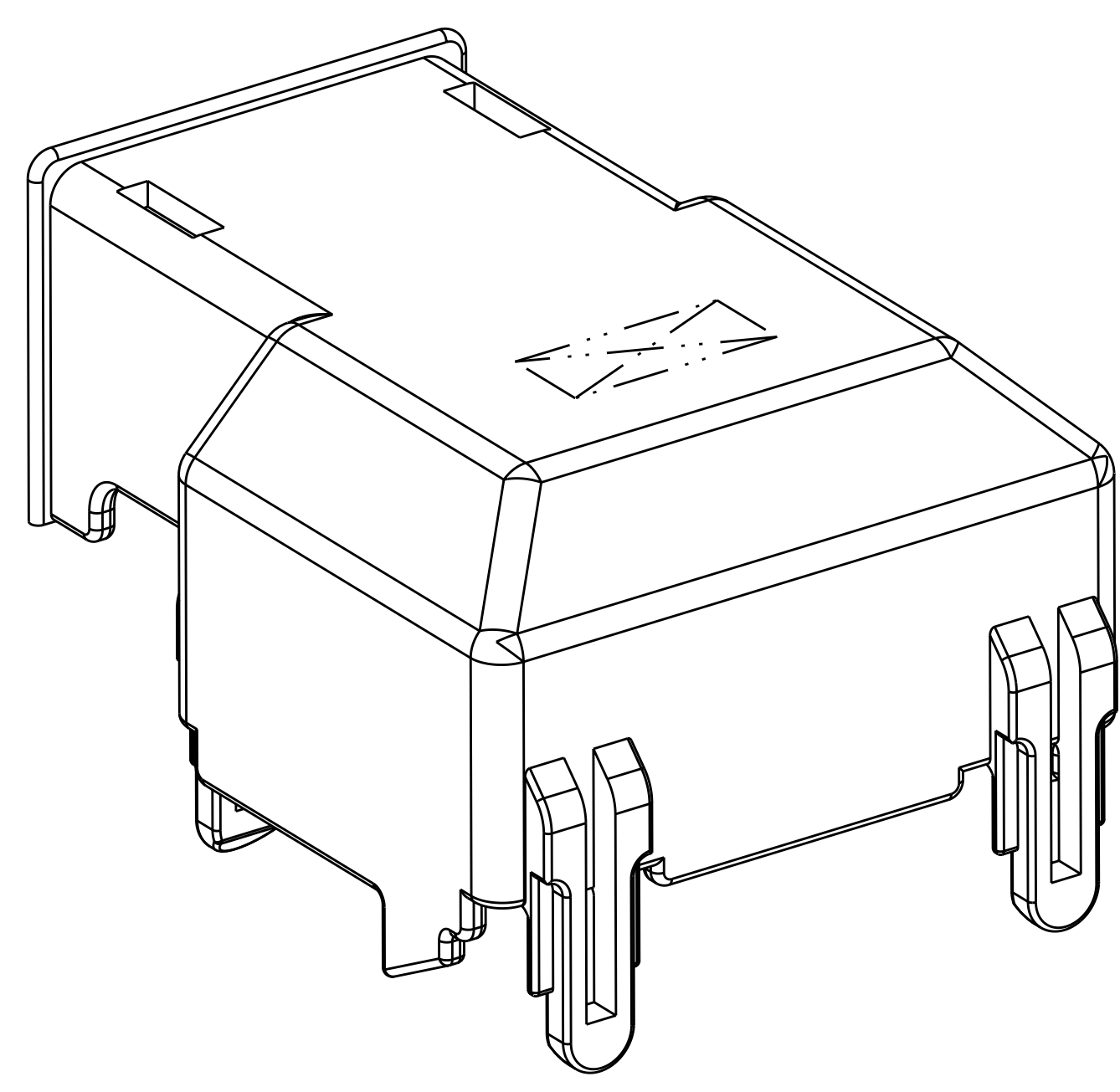
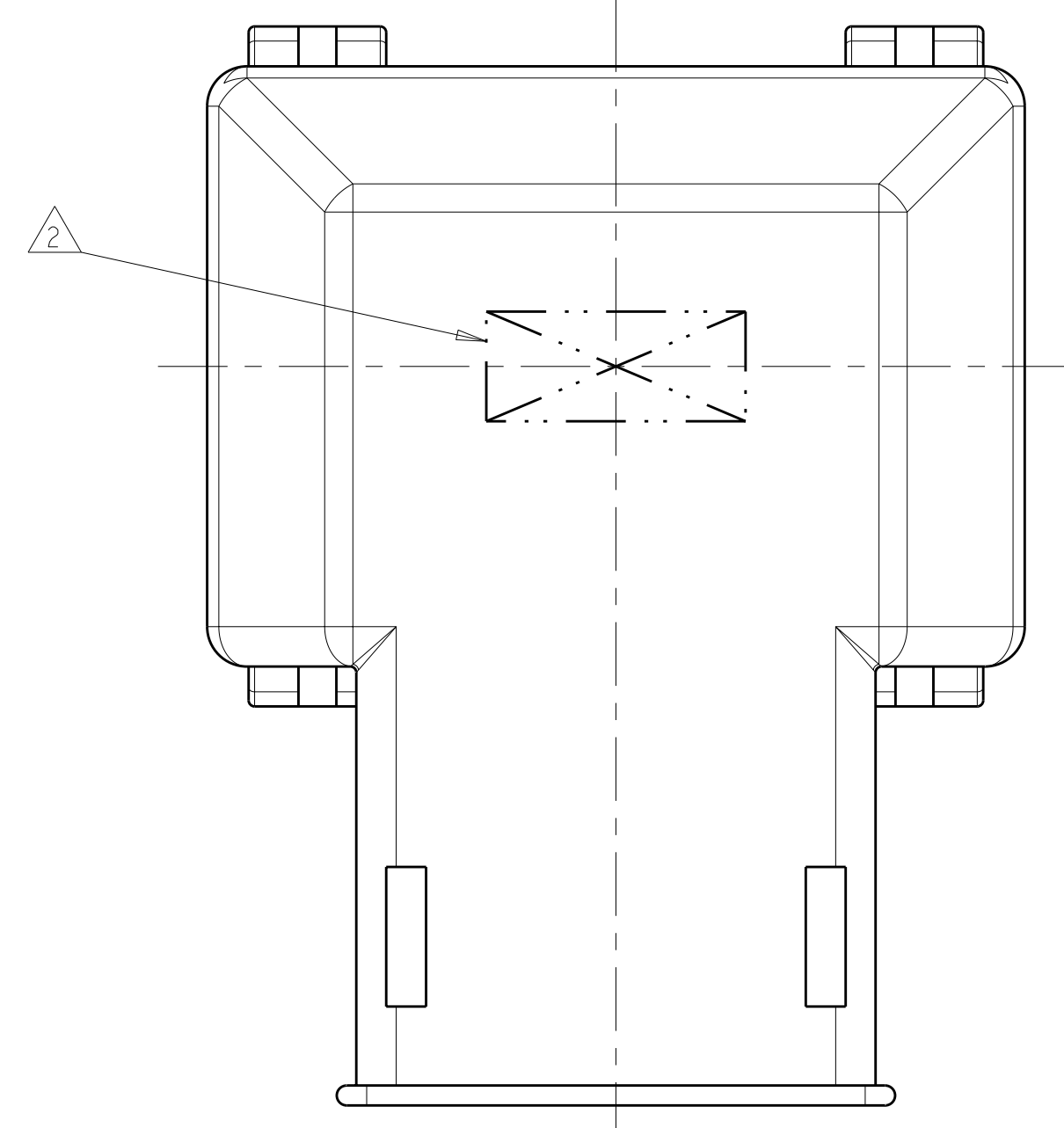
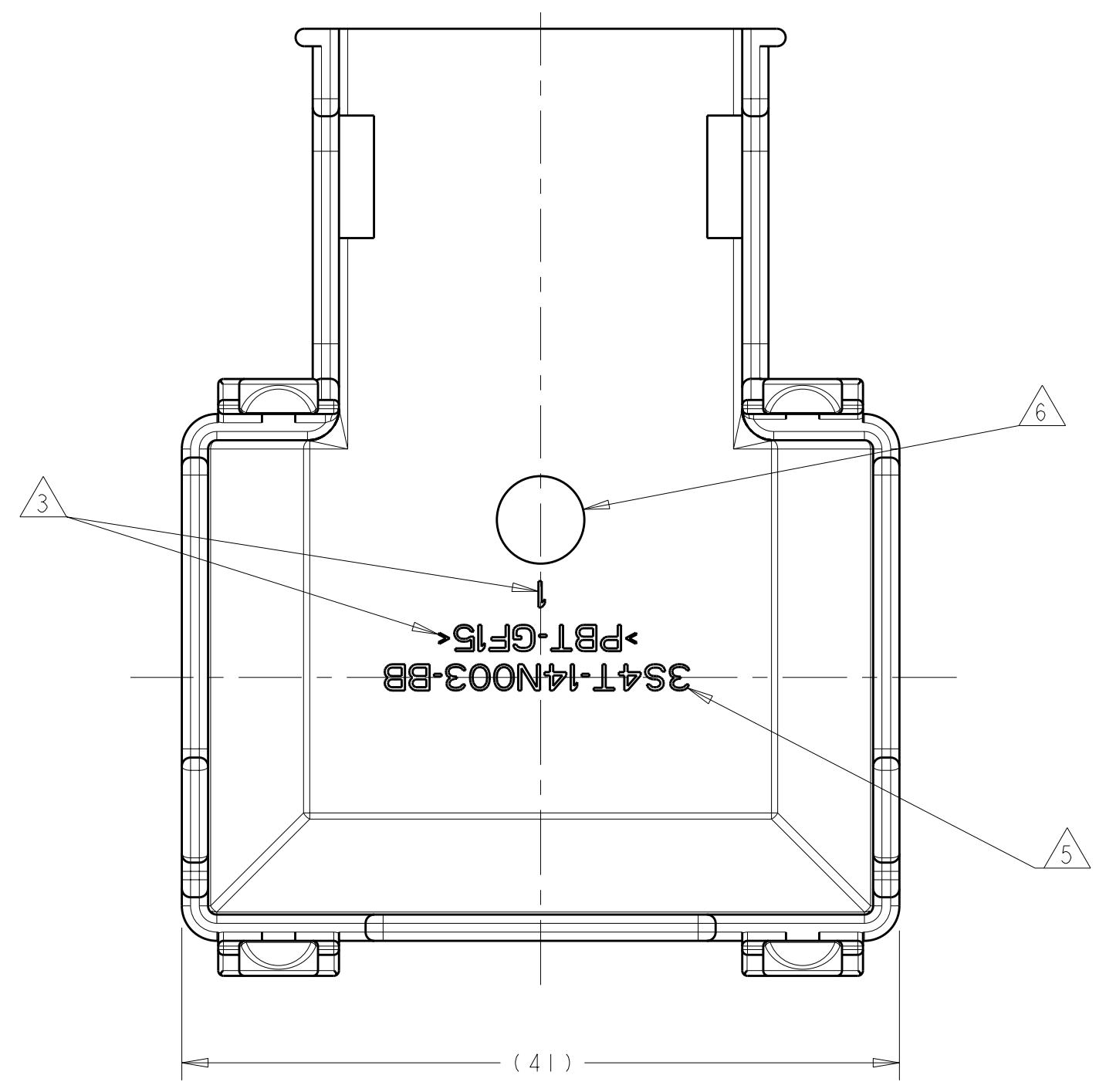
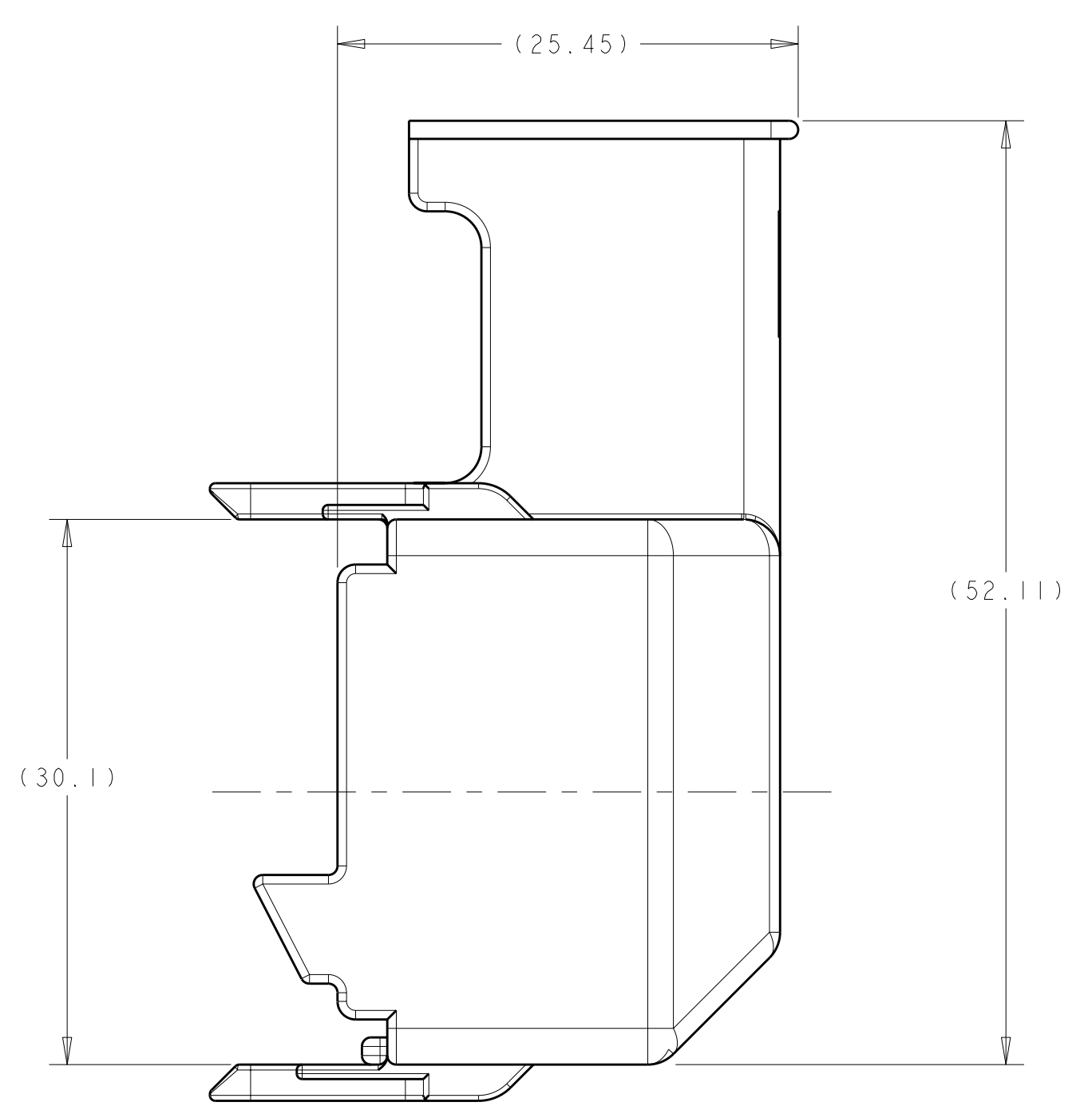
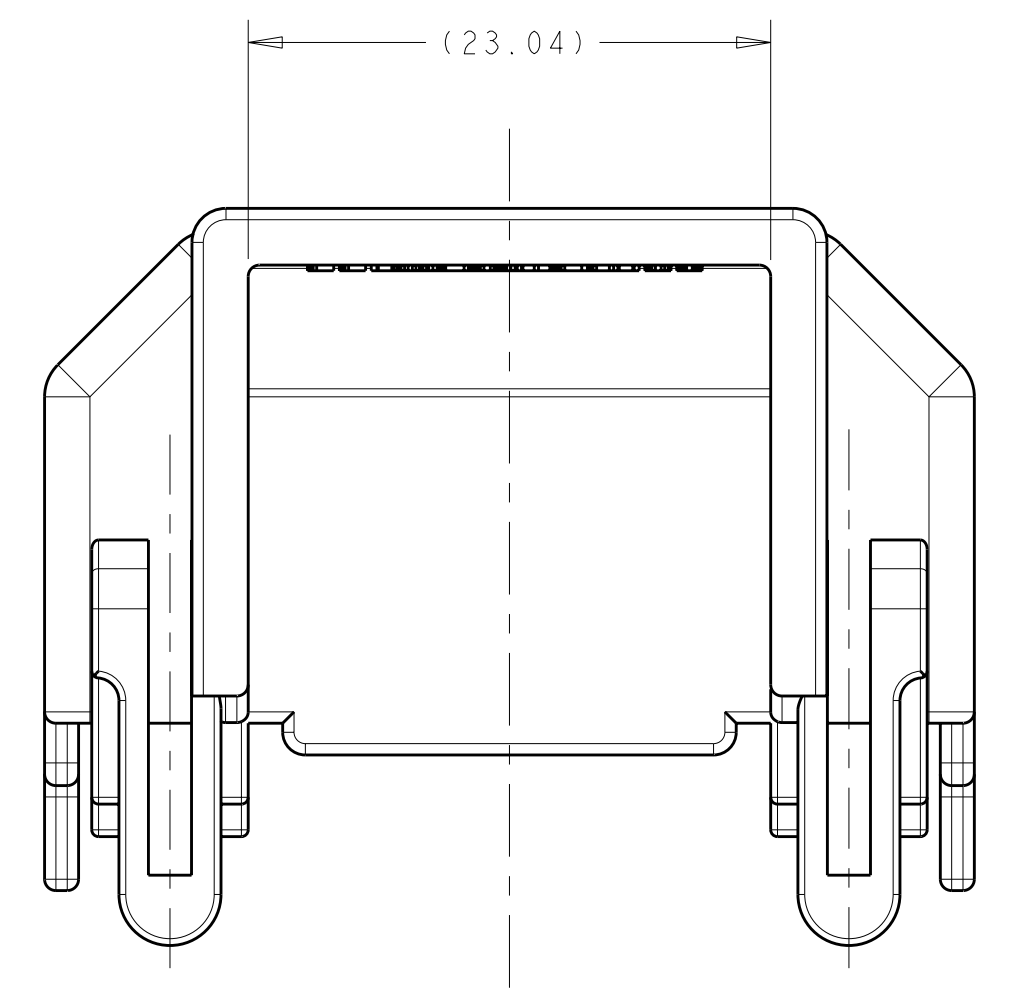


LOC	DIST	REVISIONS			
P	LTB	DESCRIPTION	DATE	DWN	APVD
A		RLSD PER D06-057	24MAR2006	RGV	TJV
A1		REV PER ECO-10-015982	10AUG2010	HM	DCM



- 1 MATERIAL: PBT-GF15
COLOR: BLACK
- 2 COMPANY LOGO LOCATED APPROXIMATELY AS SHOWN.
- 3 MOLD CAVITY I.D. & RECYCLING CODE >PBT-GF15< AS SHOWN.
- 4. 25% MAXIMUM REGRIND.
- 5 PART NUMBERS APPROXIMATELY AS SHOWN AS STATED IN PART NUMBER TABLE.
- 6 DATE CODE APPROXIMATELY AS SHOWN.



DIMENSIONS:		TOLERANCES UNLESS OTHERWISE SPECIFIED:		DWN R. VESTAL 24MAR2006		Tyco Electronics Harrisburg, PA 17105-3608	
mm	0 PLC ±	1 PLC ±0.3	2 PLC ±0.10	3 PLC ±	4 PLC ±	APVD T. VALASEK 24MAR2006	NAME 50-WAY WIRE DRESSING
MATERIAL		FINISH		WEIGHT		SIZE CAGE CODE DRAWING NO RESTRICTED TO	
-		-		-		A 100779 C=1438126	
CUSTOMER DRAWING				SCALE 3:1		SHEET 1 OF 1 REV A1	

X-ON Electronics

Largest Supplier of Electrical and Electronic Components

Click to view similar products for [Automotive Connectors](#) category:

Click to view products by [TE Connectivity](#) manufacturer:

Other Similar products are found below :

[003-018-000](#) [60403001](#) [60993906-B](#) [M902-2131](#) [M902-2161](#) [M902-2344](#) [72.330.1035.1](#) [73.353.4028.0](#) [F119300-B](#) [F166900](#) [F258300-B](#)
[F358300-B](#) [F407400](#) [F444110](#) [F487000](#) [F509500B-B](#) [827153-1](#) [8N1515-32-24P](#) [9-1326729-8](#) [925474-1](#) [928905-1](#) [964562-4](#) [968782-1](#)
[GT17SA-8DS-HU](#) [98891-1012](#) [98947-1016](#) [12004147](#) [12004475-L](#) [12010290](#) [12010309-B](#) [12015454](#) [12020219-B](#) [12041318-B](#) [12052225-](#)
[L](#) [12052466](#) [12064869](#) [12004327-B](#) [12015308](#) [12015384](#) [12015909](#) [1-21030-1](#) [12041254](#) [12041318](#) [12047946-B](#) [12047957](#) [12047957-L](#)
[12059473](#) [12066261](#) [12110546](#) [12110546-B](#)